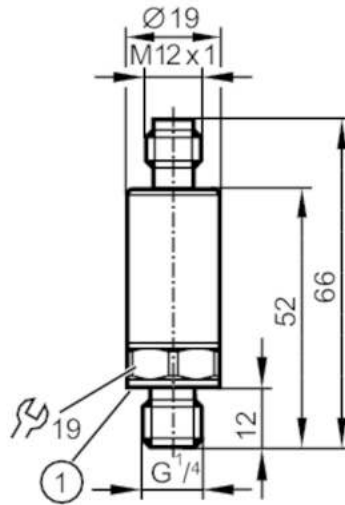


# PT5402



## Pressure transmitter

PT-100-SEG14-A-ZVG/US/ IW



1 Sealing



### Product characteristics

Number of inputs and outputs	Number of analogue outputs: 1		
Measuring range	0...100 bar	0...1450 psi	0...10 MPa
Process connection	threaded connection G 1/4 external thread (DIN EN ISO 1179-2)		

### Application

Application	for industrial applications		
Media	liquids and gases		
Medium temperature [°C]	-40...90		
Min. bursting pressure	1000 bar	14500 psi	100 MPa
Pressure rating	250 bar	3625 psi	25 Mpa
Note on pressure rating	static		
Vacuum resistance [mbar]	-1000		
Type of pressure	relative pressure		

### Electrical data

Operating voltage [V]	8.5...36 DC		
Min. insulation resistance [MΩ]	100; (500 V DC)		
Protection class	III		
Reverse polarity protection	yes		
Power-on delay time [s]	< 0.1		

### Inputs / outputs

Number of inputs and outputs	Number of analogue outputs: 1		
------------------------------	-------------------------------	--	--

### Outputs

Total number of outputs	1		
Output signal	analogue signal		
Number of analogue outputs	1		
Analogue current output [mA]	4...20		
Max. load [Ω]	(U <sub>b</sub> – 8,5 V) / 21,5 mA; @8,5V= 0 Ω; @12V max. 160 Ω; @24V max. 720 Ω		

# PT5402



## Pressure transmitter

PT-100-SEG14-A-ZVG/US/ IW

Short-circuit proof		yes	
Overload protection		yes	
<b>Measuring/setting range</b>			
Measuring range	0...100 bar	0...1450 psi	0...10 MPa
<b>Accuracy / deviations</b>			
Repeatability [% of the span]	< ± 0,05; (with temperature fluctuations < 10 K)		
Characteristics deviation [% of the span]	< ± 0,5; (incl. drift when overtightened, zero point and span error, non-linearity, hysteresis)		
Linearity deviation [% of the span]	< ± 0,1 (BFSL) / < ± 0,2 (LS)		
Hysteresis deviation [% of the span]	< ± 0,2		
Long-term stability [% of the span]	< ± 0,1; (per 6 months)		
Temperature coefficient zero point and span [% of the span / 10 K]	< 0,1 (-25...90 °C) / < 0,2 (-40...-25 °C)		
<b>Response times</b>			
Step response time analogue output [ms]		1	
<b>Operating conditions</b>			
Ambient temperature [°C]		-40...90	
Storage temperature [°C]		-40...100	
Protection		IP 67; IP 69K	
<b>Tests / approvals</b>			
EMC	DIN EN 61000-6-2		
	DIN EN 61000-6-3		
Shock resistance	DIN EN 60068-2-27	50 g (11 ms)	
Vibration resistance	DIN EN 60068-2-6	20 g (10...2000 Hz)	
MTTF [years]		686	
Pressure Equipment Directive	Sound engineering practice; can be used for group 2 fluids; group 1 fluids on request		
<b>Mechanical data</b>			
Weight [g]		59	
Materials	1.4542 (17-4 PH / 630); stainless steel (1.4404 / 316L); PEI		
Materials (wetted parts)	1.4542 (17-4 PH / 630)		
Min. pressure cycles	60 million; (at 1.2 times nominal pressure)		
Tightening torque [Nm]	25...35; (recommended tightening torque; depends on lubrication, seal and pressure rating)		
Process connection	threaded connection G 1/4 external thread (DIN EN ISO 1179-2)		
Process connection sealing	FKM (DIN EN ISO 1179-2)		
Restrictor element integrated	no (can be retrofitted)		
<b>Remarks</b>			
Remarks	BFSL = Best Fit Straight Line LS = limit value setting		
Pack quantity		1 pcs.	

# PT5402



## Pressure transmitter

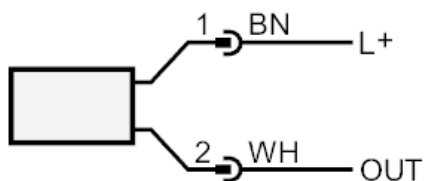
PT-100-SEG14-A-ZVG/US/ IW

### Electrical connection

Connector: 1 x M12; coding: A



### Connection



OUT	analogue output The following pin connection is available under article number PT53xx Pin 1: L+, Pin 3: OUT colours to DIN EN 60947-5-2
BN	brown
WH	white