

5

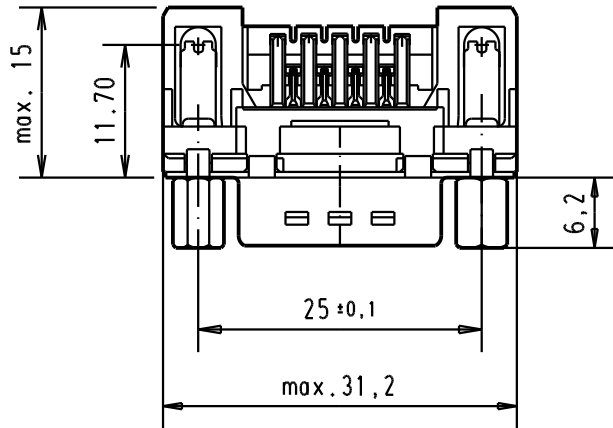
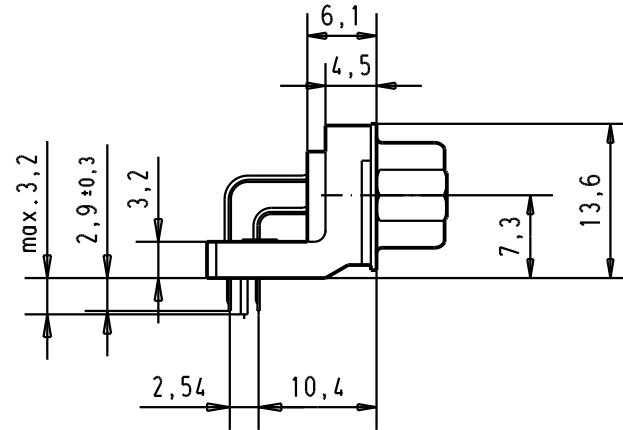
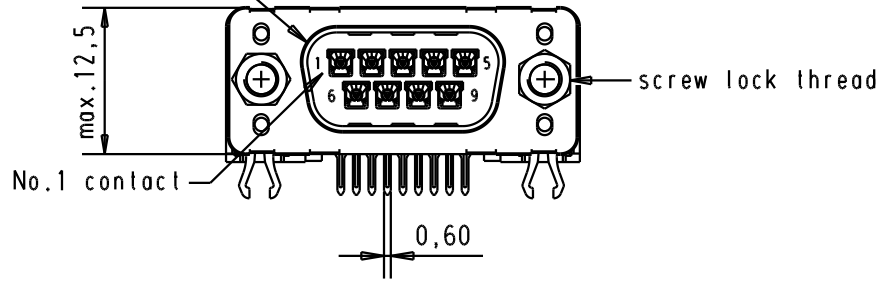
4

3

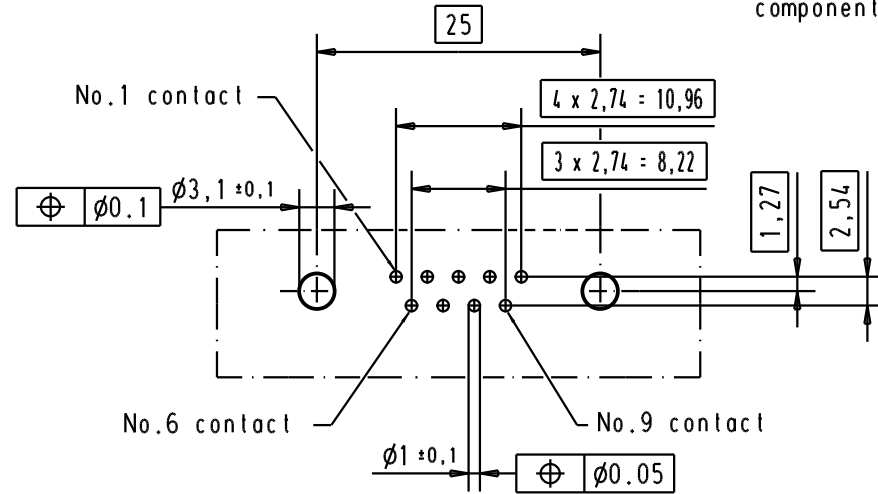
2

1

Mating face according to : MIL-C-24308 / DIN 41652 / CECC 75301-802





PCB layout hole component side



Connector retention and insertion forces on the PCB = 25 / 80 newtons

A

09 65 162 3833	M3	1																
09 65 162 6833	M3	2																
09 65 162 7833	M3	3																
09 65 162 3813	4-40 UNC	1																
09 65 162 6813	4-40 UNC	2	31892	22/04/04	JH													
09 65 162 7813	4-40 UNC	3	31084	04/SEP/02	YT													
Part number	Screw lock thread	Performance level	Mod.	Dat.	Name	 All Dim. in mm Orig. Size DIN A 4		D-Sub, male, standard angle, 09 poles, with solder pin, screw lock, grounding board lock				Maßstab/ Scale 1.5:1						
HARTING EURL F-95972 Paris								TB 0965162x8x3				Blatt/ Page 1 /						
											Sub.							