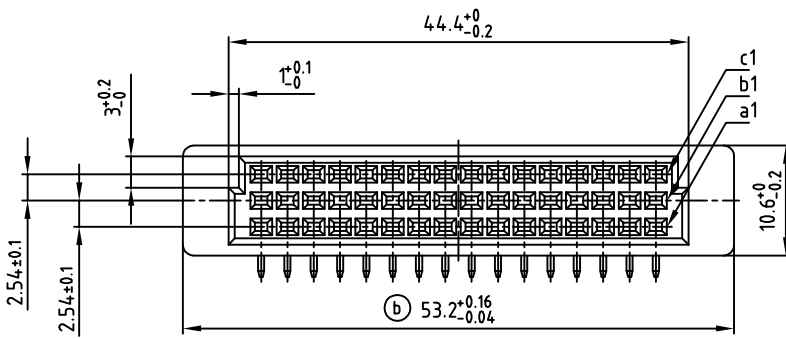
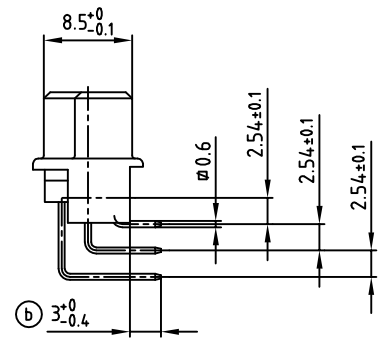
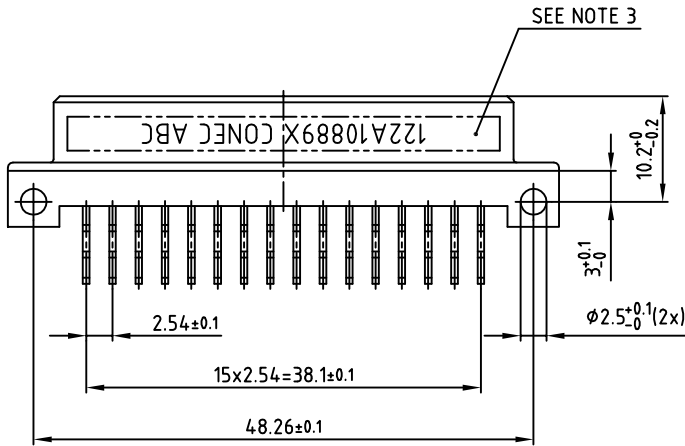
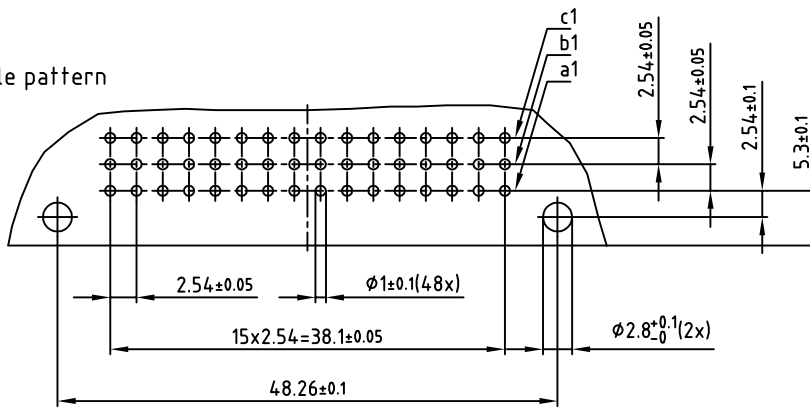


used for: DIN EN 60603



PCB-Hole pattern



NOTES:

- INSULATORS: PBT GF UL 94 V-0, GREY
- CONTACTS: COPPER ALLOY
PLATING: GOLD OVER NICKEL
50 MATING CYCLES
- CONNECTOR IS PART MARKED: 122A10889X CONEC ABC



THIS DRAWING MAY NOT BE COPIED OR REPRODUCED IN ANY WAY, AND MAY NOT BE PASSED ON TO A THIRD PARTY, WITHOUT WRITTEN PERMISSION. OWNERSHIP AND COPYRIGHT OF CONEC Gmbh DO NOT ALTER CAD DRAWING BY HAND

rev.	description	date	name
2 x b	Ä 3749	20.09.2010	Petker
a	Origin		

tolerance		scale:	
		2:1	
		material:	
		SEE NOTES	
		title:	
		Female connector Mini Type "R" 48pos. Contact spacing .100"	
		dwg no:	
		AutoCAD 2006	
		part no:	
		122A10889X	



2009	date	name	title: Female connector Mini Type "R" 48pos. Contact spacing .100"
drawn	13.07.	Petker	
appd.	13.07.	Mickenbecker	
norm	DIN EN 60603		
d-old			dwg no: AutoCAD 2006
2 x b			Ä 3749
a			Origin
rev.			description
date			name
20.09.2010			Petker
13.07.			Mickenbecker
DIN EN 60603			
AutoCAD 2006			DIN-A
122A10889X			3
sh: 1/1			