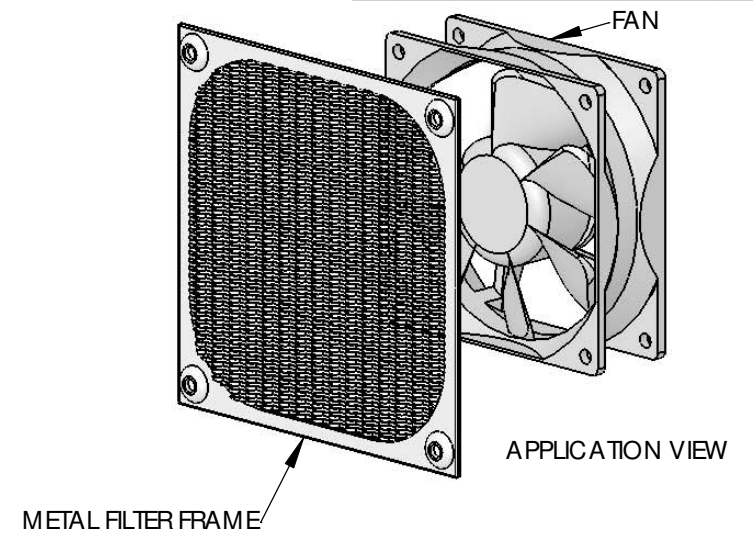


REV.	MODIFICATION.	DATE	DRN
01	NEW DRAWING	13/07/04	NJB
02	MATL DETAILS ADDED	23/09/04	NJB
03	APPLICATION VIEW & SECONDARY DIMS ADDED	04/10/04	NJB
04	ECN 04-228	10/12/04	NJB
05	ECN 05-071	14/06/05	OW
06	ECN 05-098	01/08/05	OW
07	ECN 07-198	14/11/07	SF
08	CO2010350	22/08/08	SF



- NOTES
- STANDARD PACK QUANTITY: 100.
 - ALL PRIMARY DIMENSIONS IN mm, ALL SECONDARY DIMENSIONS IN [INCHES].
 - MATERIAL:
 - FRAME: ALUMINIUM 1060.(RMS-247)
 - MESH: STAINLESS STEEL 304.(RMS-283)
 - FINISH: CLEAN.

INFORMATION CONTAINED IN THIS DOCUMENT IS CONFIDENTIAL TO RICHCO INTERNATIONAL Co. Ltd. AND MAY NOT BE DISCLOSED OR REPRODUCED IN WHOLE OR PART WITHOUT THEIR WRITTEN CONSENT.

PART No	DIM "A"	DIM "B"	DIM "C"	DIM "D"
MFF-60	59.2 ± 1.0 [2.33 ± 0.039]	50[1.969]	R7.5[0.296]	4.0 ± 1.0 [0.157 ± 0.039]
MFF-80	83.82 ± 1.0 [3.30 ± 0.039]	71.37[2.810]	R10[0.394]	3.5 ± 1.0 [0.137 ± 0.039]
MFF-92	92 ± 1.0 [3.63 ± 0.039]	82.5[3.249]	R12.5[0.493]	4.0 ± 1.0 [0.157 ± 0.039]
MFF-120	118.87 ± 1.0 [4.68 ± 0.039]	104.77[4.125]	R25[0.985]	3.5 ± 1.0 [0.137 ± 0.039]



METRIC GENERAL TOLERANCES ±0.50 ARE PRIMARY UNLESS OTHERWISE STATED
 1 DECIMAL PLACE ±
 2 DECIMAL PLACES ±
 ANGULAR ±1°

IMPERIAL GENERAL TOLERANCES ±0.020 ARE FOR REFERENCE UNLESS OTHERWISE
 1 DECIMAL PLACE ±
 2 DECIMAL PLACES ±
 ANGULAR ±1°

THIRD ANGLE

MATERIAL: SEE NOTES		COLOUR:	
DESCRIPTION: METAL FILTER FRAME (FAN GUARD)		PART No: SEE TABLE	
DRG No: 04-075	NPR No:	WEIGHT:	SHEET SIZE A3
DRN NJB	DATE 13/07/04	CHKD OW	DATE 13/07/04
SCALE NTS		SHEET No. 1 OF 1	