



## Features

- High Dynamic Range for AM and FM
- Integrated AGC for FM
- High Intercept Point 3rd-order for FM
- FM Amplifier Adjustable to Various Cable Impedances
- High Intercept Point 2nd-order for AM
- Low-noise Output Voltage
- Low-power Consumption

Electrostatic sensitive device.  
Observe precautions for handling.

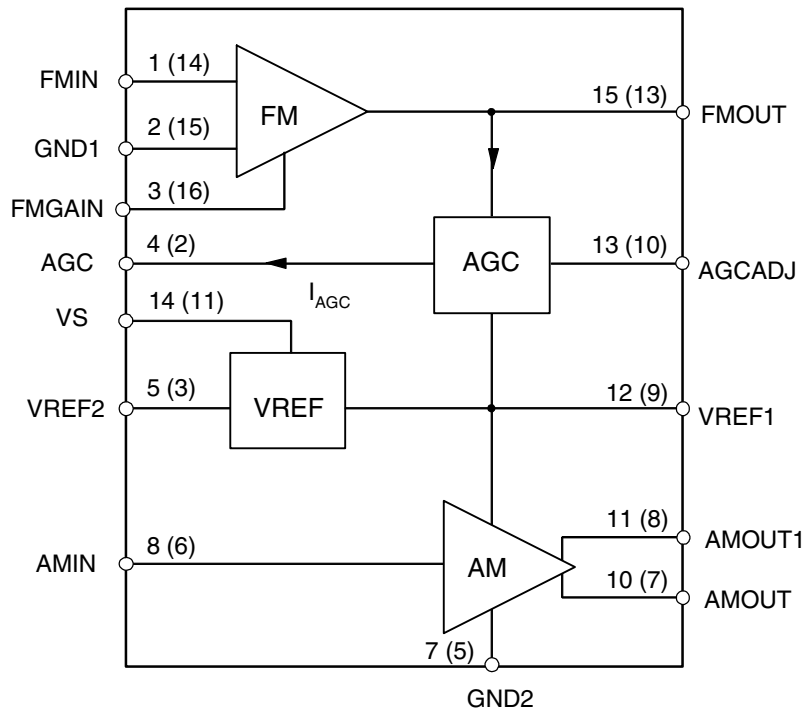


## Low-noise AM/FM Antenna Impedance Matching IC

## Description

The U4254BM-M is an integrated low-noise AM/FM antenna impedance matching circuit in BiCMOS technology. The device is designed specifically for car applications and is suitable for windshield and roof antennas.

Figure 1. Block Diagram



( ) Pin numbers in brackets = QFN 4 × 4 package

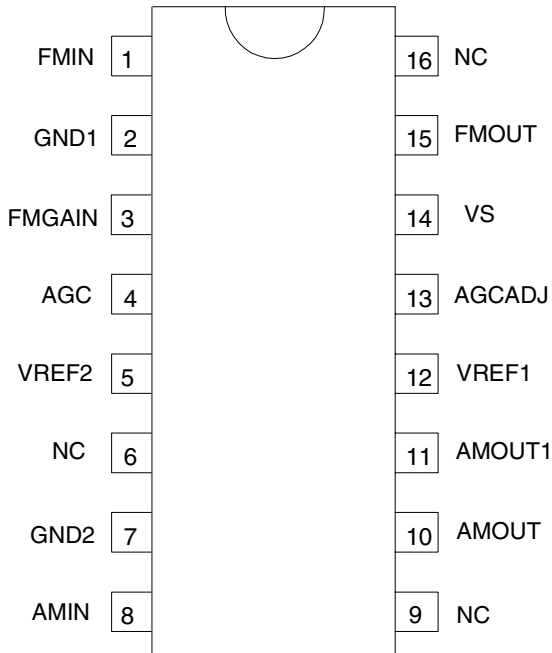
## U4254BM-M

Rev. 4772C-AUDR-08/04

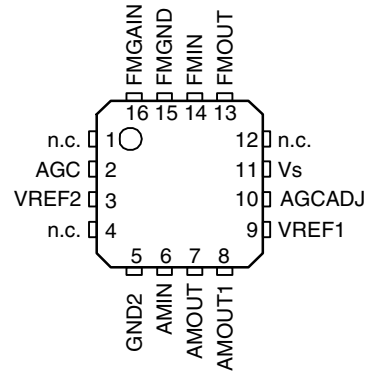


## Pin Configuration

**Figure 2.** Pinning SO16



**Figure 3.** Pinning QFN16 4 × 4



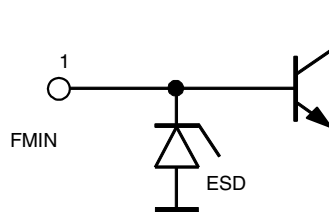
## Pin Description

Pin SS016	Pin QFN16	Symbol	Function
1	14	FMIN	FM input
2	15	GND1	Ground for FM part
3	16	FMGAIN	FM gain adjustment
4	2	AGC	AGC output
5	3	VREF2	Reference voltage 2 output
6	1	NC	Not connected
7	5	GND2	Ground for AM part
8	6	AMIN	AM input
9	4	NC	Not connected
10	7	AMOUT	AM output
11	8	AMOUT1	AM output
12	9	VREF1	Reference voltage 1 output
13	10	AGCADJ	Adjustment FM wide-band AGC threshold
14	11	VS	Supply voltage
15	13	FMOUT	FM output
16	12	NC	Not connected

## Pin Description

**FMIN** FMIN, a bipolar transistor's base is the input of the FM amplifier. A resistor or a coil is connected between FMIN and VREF2. If a coil is used, the noise performance is excellent.

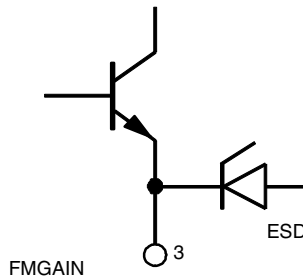
**Figure 4.** Internal Circuit at Pin FMIN



**GND1** To avoid cross-talk between AM and FM signals, the circuit has two separate ground pins. GND1 is the ground for the FM part.

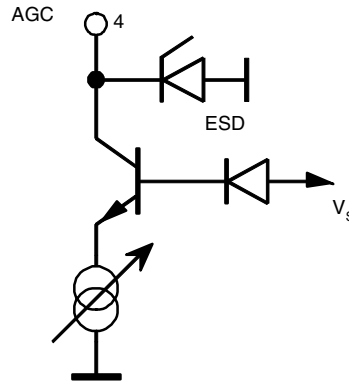
**FMGAIN** The DC current of the FM amplifier transistor is adjusted by an external resistor which is connected between FMGAIN and GND1. To influence the AC gain of the amplifier, a resistor is connected in series to a capacitor between FMGAIN and GND1. The capacitor has to shorten frequencies of 100 MHz.

**Figure 5.** Internal Circuit at pin FMGAIN



**AGC** DC current flows into the AGC pin at high FM antenna input signals. This current has to be amplified via the current gain of an external PNP transistor that feeds a PIN diode. This diode dampens the antenna's input signal and protects the amplifier input against overload. The maximum current which flows in the AGC pin is approximately 1 mA. In low-end applications, the AGC function is not necessary and the external components can therefore be omitted.

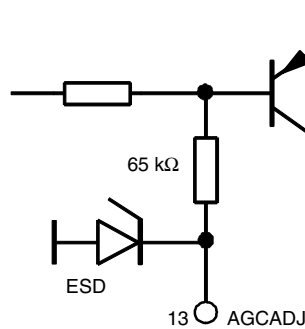
**Figure 6.** Internal Circuit at Pin AGC



### AGCADJ

The threshold of the AGC can be adjusted by varying the DC current at pin AGCADJ. If pin AGCADJ is connected directly to GND1, the threshold is set to 96 dB $\mu$ V at the FM amplifier output. If a resistor is connected between AGCADJ and GND1, the threshold is shifted to higher values with increasing resistances. If AGCADJ is open, the threshold is set to 106 dB $\mu$ V.

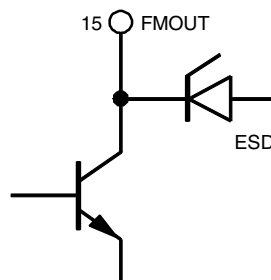
**Figure 7.** Internal Circuit at Pin AGCADJ



### FMOUT

The FM amplifier output is an open collector of a bipolar RF transistor. It should be connected to  $V_s$  via a coil.

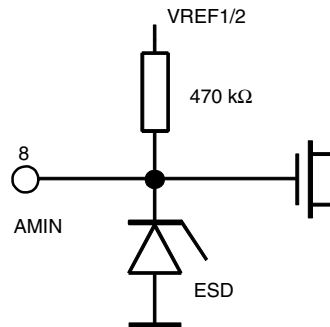
**Figure 8.** Internal Circuit at Pin FMOUT



**AMIN**

The AM input has an internal bias voltage. The DC voltage at this pin is  $V_{Ref1/2}$ . The input resistance is about 470 k $\Omega$ . The input capacitance is less than 10 pF.

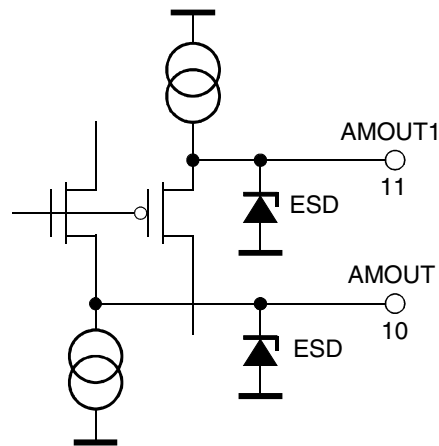
**Figure 9.** Internal Circuit at Pin AMIN



**AMOUT, AMOUT1**

The buffered AM amplifier consists of a complementary pair of CMOS source followers. The transistor gates are connected to AMIN. The pin AMOUT is the NMOS transistor's source, pin AMOUT1 is the PMOS transistor's source. Due to the two different DC levels of these pins, they have to be connected together via an external capacitor of about 100 nF. By means of this technique an excellent dynamic range can be achieved.

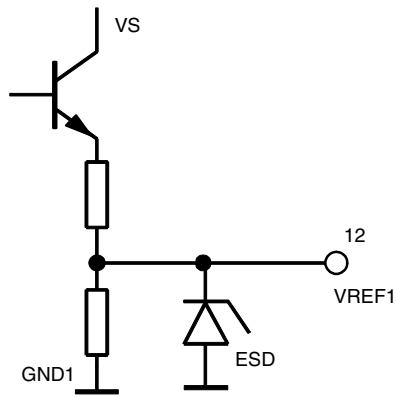
**Figure 10.** Internal Circuit at Pins AMOUT1 and AMOUT



**VREF1**

VREF1 is the stabilized voltage for the AM amplifier and the AGC block. To achieve excellent noise performance at LW frequencies, it is recommended that this pin be connected to ground via an external capacitor of about 1  $\mu$ F.

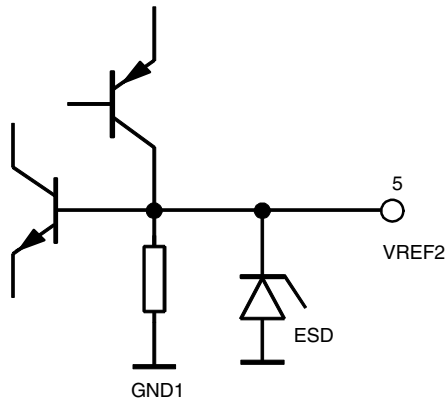
**Figure 11.** Internal Circuit at Pin VREF1



**VREF2**

For the DC biasing of the FM amplifier, a second voltage reference circuit is integrated. Since the collector current is temperature independent, the output voltage has a negative temperature coefficient of about -1 mV/K. To stabilize this voltage, an external capacitor to ground of a few nF is recommended.

**Figure 12.** Internal Circuit at Pin VREF2



**GND2**

GND2 is the ground for the AM amplifier.

## Functional Description

The U4254BM-M is an integrated AM/FM antenna impedance matching circuit. It compensates cable losses between the antenna (for example windshield, roof or bumper antennas) and the car radio which is usually placed far away from the antenna.

The FM amplifier provides excellent noise performance. External components are used to adjust the gain and the input-output matching impedance. Therefore, it is possible to adjust the amplifier to various cable impedances (usually 50, 75 or 150  $\Omega$ ). To protect the amplifier against input overload, an Automatic Gain Control (AGC) is included on the chip. The AGC observes the AC voltage at the FM amplifier output, rectifies this signal, and delivers DC current to dampen the input antenna signal via an external PIN diode. The threshold for the AGC is adjustable. Simple and temperature-compensated biasing is possible due to the integrated voltage reference  $V_{Ref2}$ .

The AM part consists of a buffer amplifier. The voltage gain of this stage is approximately one. The input resistance is 470 k $\Omega$ , the input capacitance less than 10 pF. The output resistance is 125  $\Omega$ . An excellent dynamic range is achieved due to the complementary CMOS source follower stage.

## Absolute Maximum Ratings

Stresses beyond those listed under “Absolute Maximum Ratings” may cause permanent damage to the device. This is a stress rating only and functional operation of the device at these or any other conditions beyond those indicated in the operational sections of this specification is not implied. Exposure to absolute maximum rating conditions for extended periods may affect device reliability.

Reference point is ground (pins 2 and 7)

Parameters	Symbol	Value	Unit
Supply voltage	$V_S$	8.8	V
Power dissipation, $P_{tot}$ at $T_{amb} = 85^\circ\text{C}$	$P_{tot}$	460	mW
Junction temperature	$T_j$	150	$^\circ\text{C}$
Ambient temperature	$T_{amb}$	-40 to +85	$^\circ\text{C}$
Storage temperature	$T_{stg}$	-50 to +150	$^\circ\text{C}$
Electrostatic handling (HBM at ESD S.5.1)	$\pm V_{ESD}$	$\pm 1000$	V

## Thermal Resistance

Parameters	Symbol	Value	Unit
Junction ambient	$R_{thJA}$	140	K/W

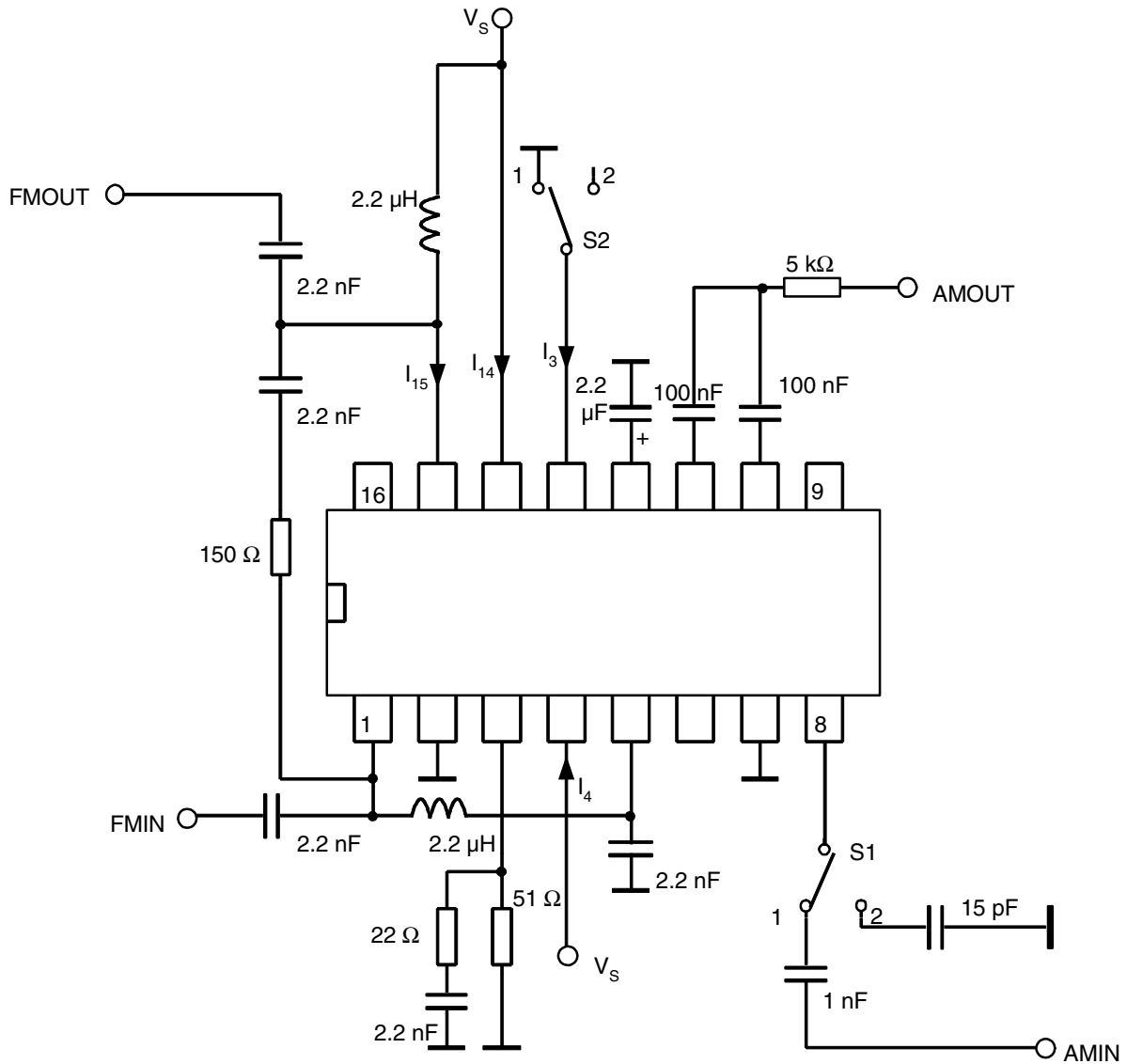
## Electrical Characteristics

$V_S = 8\text{ V}$ ,  $T_{\text{amb}} = 25^\circ\text{C}$ , unless otherwise specified (see Figure 13 on page 9).

Parameters	Test Conditions	Pin	Symbol	Min.	Typ.	Max.	Unit
Supply voltage		14	$V_S$	7.2	8	8.8	V
Supply currents		14	$I_S$	3.5	4.8	5.6	mA
Reference voltage 1 output ( $I_{12} = 0$ )		12	$V_{\text{Ref1}}$	5.1	5.4	5.7	V
Reference voltage 2 output ( $I_5 = 0$ )		5	$V_{\text{Ref2}}$	2.3	2.6	2.8	V
Temperature dependence of VREF2		5	$V_{\text{Ref2}}/\Delta T$		-1		mV/K
<b>AM Amplifier</b>							
Input resistance		8	$R_{\text{AMIN}}$		470		k $\Omega$
Input capacitance		8	$C_{\text{AMIN}}$			10	pF
Output resistance		10	$R_{\text{OUT}}$		125		$\Omega$
Voltage gain		8, 10	a		0.85		
Output noise voltage (rms value)	S1 switched to 2 B = 6 kHz 150 kHz to 300 kHz 500 kHz to 6.5 kHz	10	$V_{\text{N1}}$ $V_{\text{N2}}$		-2 -6		dB $\mu$ V dB $\mu$ V
2nd harmonic	S2 switched to 1 $f_{\text{AMIN}} = 500\text{ kHz}$ Output voltage = 110 dB $\mu$ V	10			-65		dBc
<b>FM Amplifier</b>							
Supply current limit	$I_{\text{AGC}}, I_{\text{AGCADJ}} = 0\text{ A}$	15	$I_{15}$		33	35	mA
Input resistance	f = 100 MHz	1	$R_{\text{FMIN}}$		50		$\Omega$
Output resistance	f = 100 MHz	15	$R_{\text{FMOUT}}$		50		$\Omega$
Power gain	f = 100 MHz	1, 15	G		5		dB
Output noise voltage	f = 100 MHz B = 120 kHz	15	$V_{\text{N}}$		0		dB $\mu$ V
3rd-order output intercept	f = 100 MHz	15			132		dB $\mu$ V
<b>AGC</b>							
AGC input voltage threshold	f = 100 MHz S2 switched to 1; AGC threshold DC current is 10 $\mu$ A at pin 4	15	$V_{\text{th1}}$		96		dB $\mu$ V
AGC input voltage threshold	f = 100 MHz, S2 switched to 2; AGC threshold DC current is 10 $\mu$ A at pin 4	15	$V_{\text{th2}}$		106		dB $\mu$ V
AGC output current	AGC active		$I_{\text{AGC}}$			1.2	mA



Figure 13. Test Circuit



**Figure 14. FM Intermodulation Distortion**

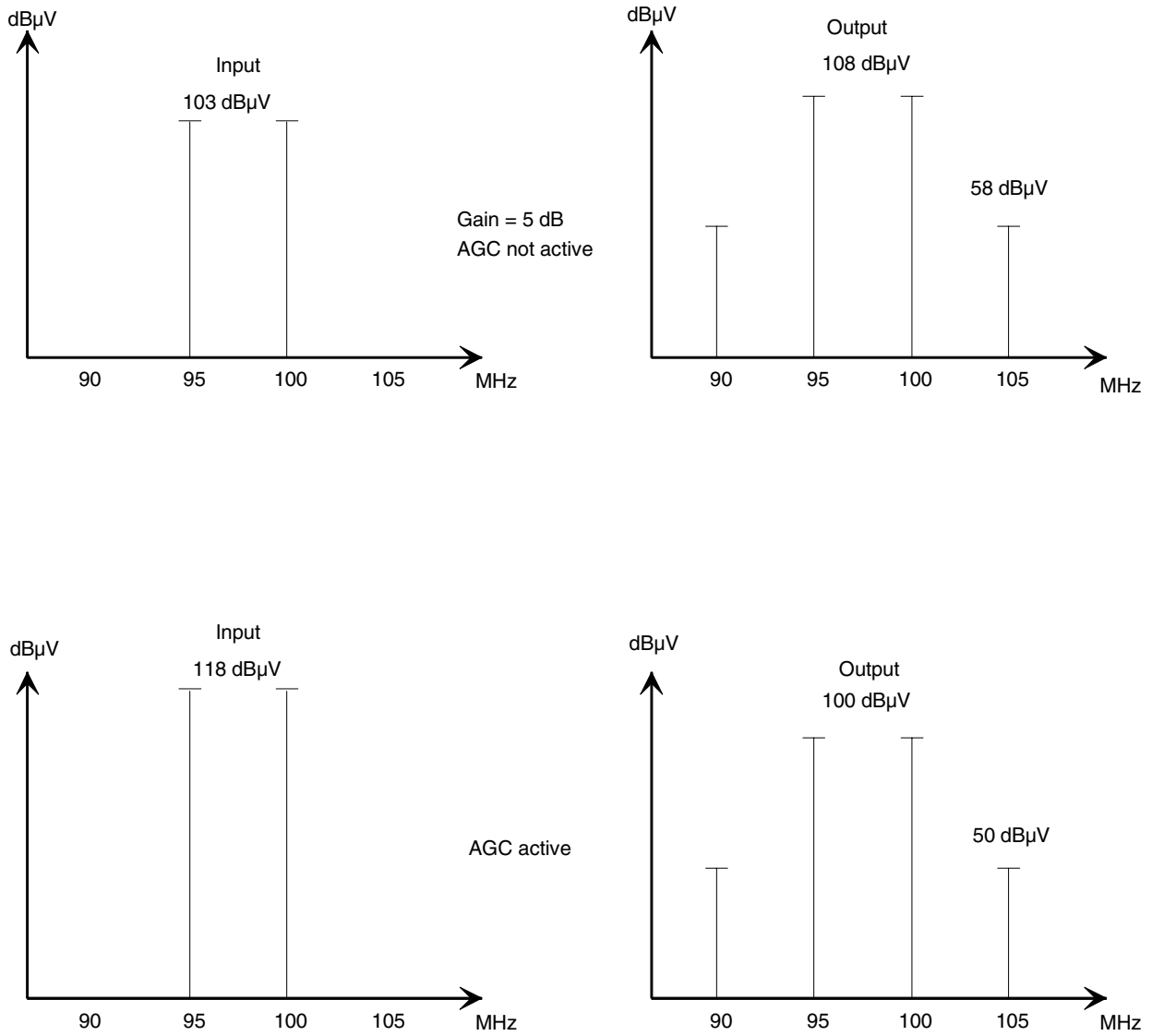


Figure 15. Test Circuit for AM Large Signal Behavior

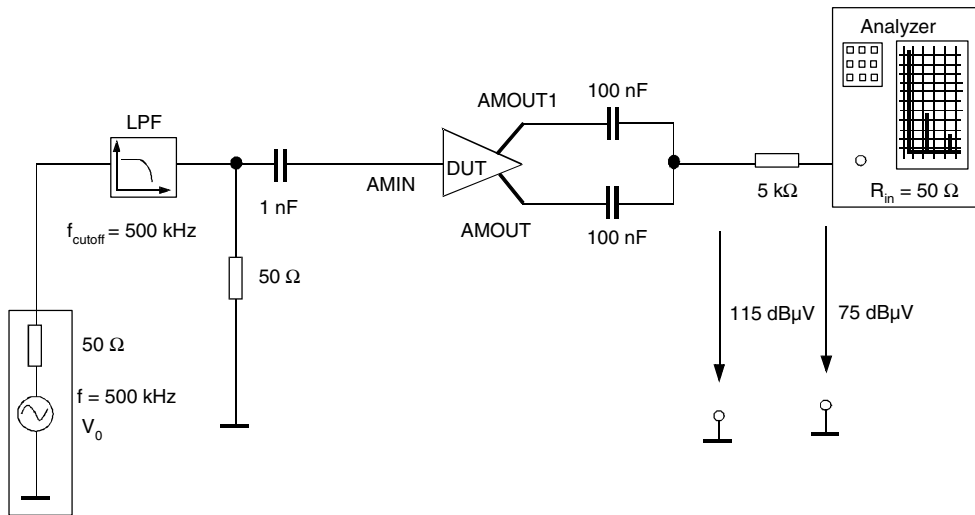


Figure 16. AM Harmonic Distortion

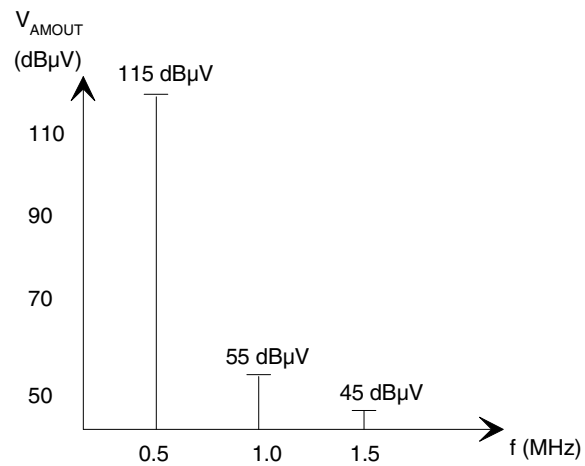
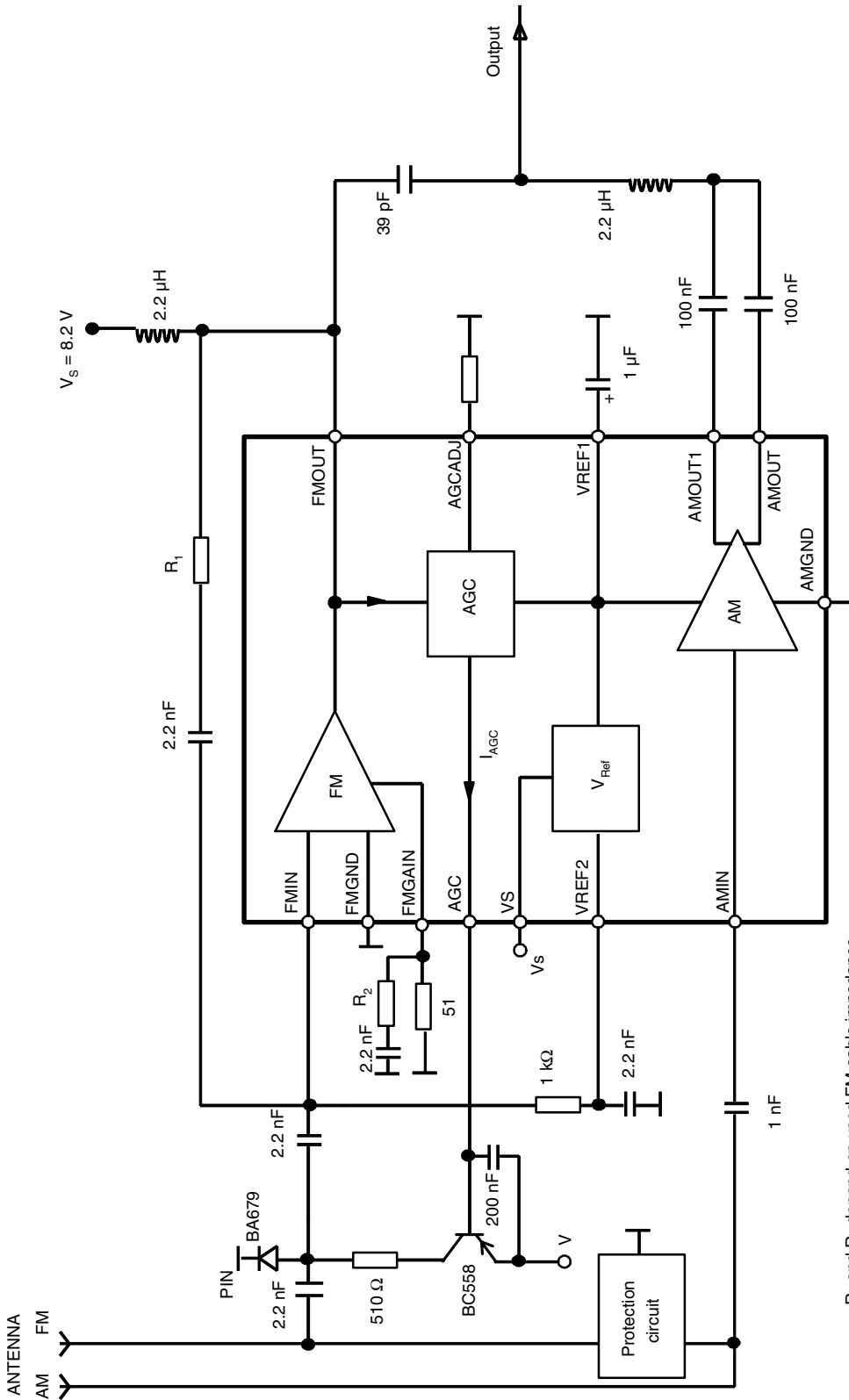


Figure 17. Application Circuit



R<sub>1</sub> and R<sub>2</sub> depend on used FM cable impedance

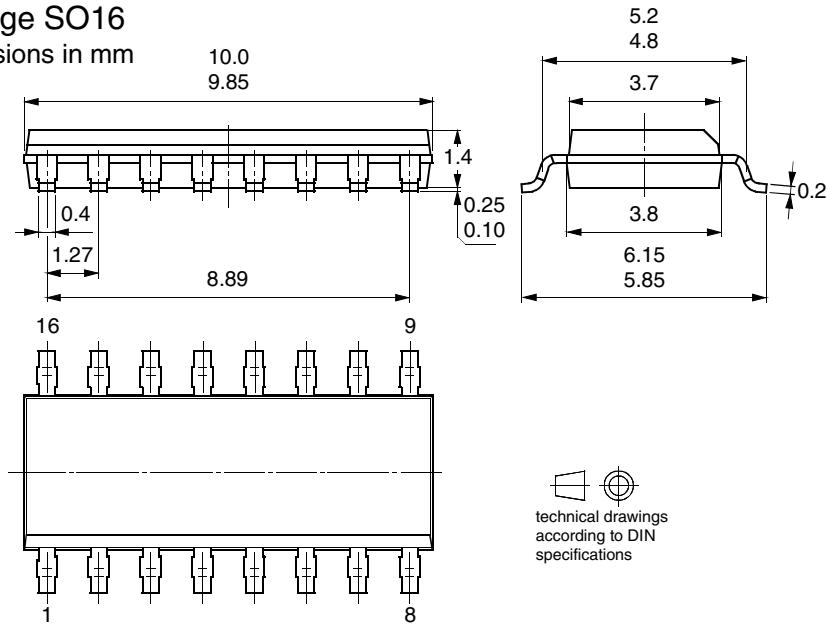
FM cable impedance	R <sub>1</sub> (Ω)	R <sub>2</sub> (Ω)
50	150	22
75	270	33
100	390	51
125	470	86
150	620	160

### Ordering Information

Extended Type Number	Package	Remarks
U4254BM-MFP	SO16	–
U4254BM-MPG3	SO16	Taping corresponding, ICE-286-3
U4254BM-MPH	QFN16	–
U4254BM-MPG3H	QFN16	Taping corresponding, ICE-286-3

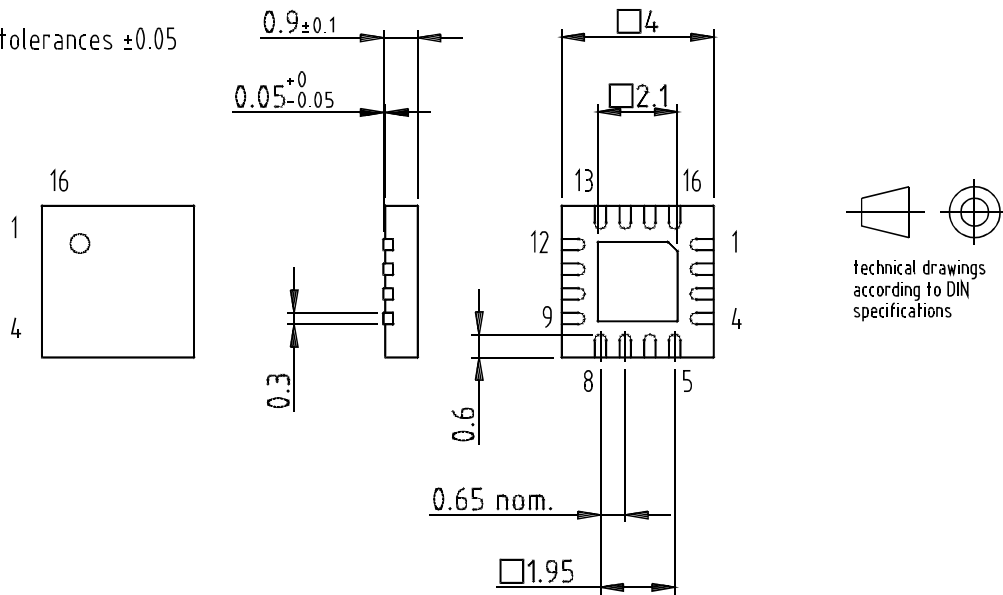
### Package Information

Package SO16  
Dimensions in mm



Package: QFN 16 - 4x4  
 Exposed pad 2.1x2.1  
 (acc. JEDEC OUTLINE No. MO-220)  
 Dimensions in mm

Not indicated tolerances  $\pm 0.05$



Drawing-No.: 6.543-5090.01-4  
 Issue: 2; 24.01.03



## Atmel Corporation

2325 Orchard Parkway  
San Jose, CA 95131, USA  
Tel: 1(408) 441-0311  
Fax: 1(408) 487-2600

## Regional Headquarters

### Europe

Atmel Sarl  
Route des Arsenalux 41  
Case Postale 80  
CH-1705 Fribourg  
Switzerland  
Tel: (41) 26-426-5555  
Fax: (41) 26-426-5500

### Asia

Room 1219  
Chinachem Golden Plaza  
77 Mody Road Tsimshatsui  
East Kowloon  
Hong Kong  
Tel: (852) 2721-9778  
Fax: (852) 2722-1369

### Japan

9F, Tonetsu Shinkawa Bldg.  
1-24-8 Shinkawa  
Chuo-ku, Tokyo 104-0033  
Japan  
Tel: (81) 3-3523-3551  
Fax: (81) 3-3523-7581

## Atmel Operations

### Memory

2325 Orchard Parkway  
San Jose, CA 95131, USA  
Tel: 1(408) 441-0311  
Fax: 1(408) 436-4314

### Microcontrollers

2325 Orchard Parkway  
San Jose, CA 95131, USA  
Tel: 1(408) 441-0311  
Fax: 1(408) 436-4314

La Chantrerie  
BP 70602  
44306 Nantes Cedex 3, France  
Tel: (33) 2-40-18-18-18  
Fax: (33) 2-40-18-19-60

### ASIC/ASSP/Smart Cards

Zone Industrielle  
13106 Rousset Cedex, France  
Tel: (33) 4-42-53-60-00  
Fax: (33) 4-42-53-60-01

1150 East Cheyenne Mtn. Blvd.  
Colorado Springs, CO 80906, USA  
Tel: 1(719) 576-3300  
Fax: 1(719) 540-1759

Scottish Enterprise Technology Park  
Maxwell Building  
East Kilbride G75 0QR, Scotland  
Tel: (44) 1355-803-000  
Fax: (44) 1355-242-743

### RF/Automotive

Theresienstrasse 2  
Postfach 3535  
74025 Heilbronn, Germany  
Tel: (49) 71-31-67-0  
Fax: (49) 71-31-67-2340

1150 East Cheyenne Mtn. Blvd.  
Colorado Springs, CO 80906, USA  
Tel: 1(719) 576-3300  
Fax: 1(719) 540-1759

### Biometrics/Imaging/Hi-Rel MPU/ High Speed Converters/RF Datacom

Avenue de Rochepleine  
BP 123  
38521 Saint-Egreve Cedex, France  
Tel: (33) 4-76-58-30-00  
Fax: (33) 4-76-58-34-80

---

### Literature Requests

[www.atmel.com/literature](http://www.atmel.com/literature)

**Disclaimer:** Atmel Corporation makes no warranty for the use of its products, other than those expressly contained in the Company's standard warranty which is detailed in Atmel's Terms and Conditions located on the Company's web site. The Company assumes no responsibility for any errors which may appear in this document, reserves the right to change devices or specifications detailed herein at any time without notice, and does not make any commitment to update the information contained herein. No licenses to patents or other intellectual property of Atmel are granted by the Company in connection with the sale of Atmel products, expressly or by implication. Atmel's products are not authorized for use as critical components in life support devices or systems.

© Atmel Corporation 2004. All rights reserved.

Atmel® and combinations thereof are the registered trademarks of Atmel Corporation or its subsidiaries.

Other terms and product names may be the trademarks of others.



Printed on recycled paper.