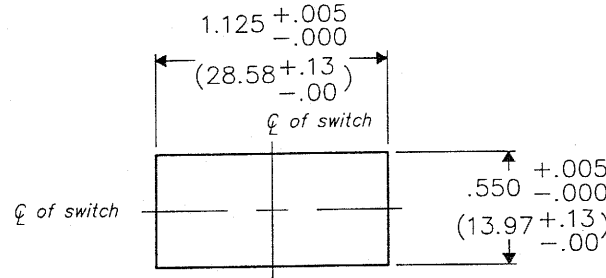
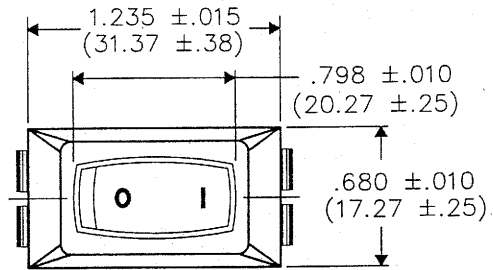


DIMENSIONS IN INCHES (MILLIMETERS)
DO NOT SCALE DRAWING

Dwg. No.

GRS-2011-2110

PANEL PIERCING



NOTES:

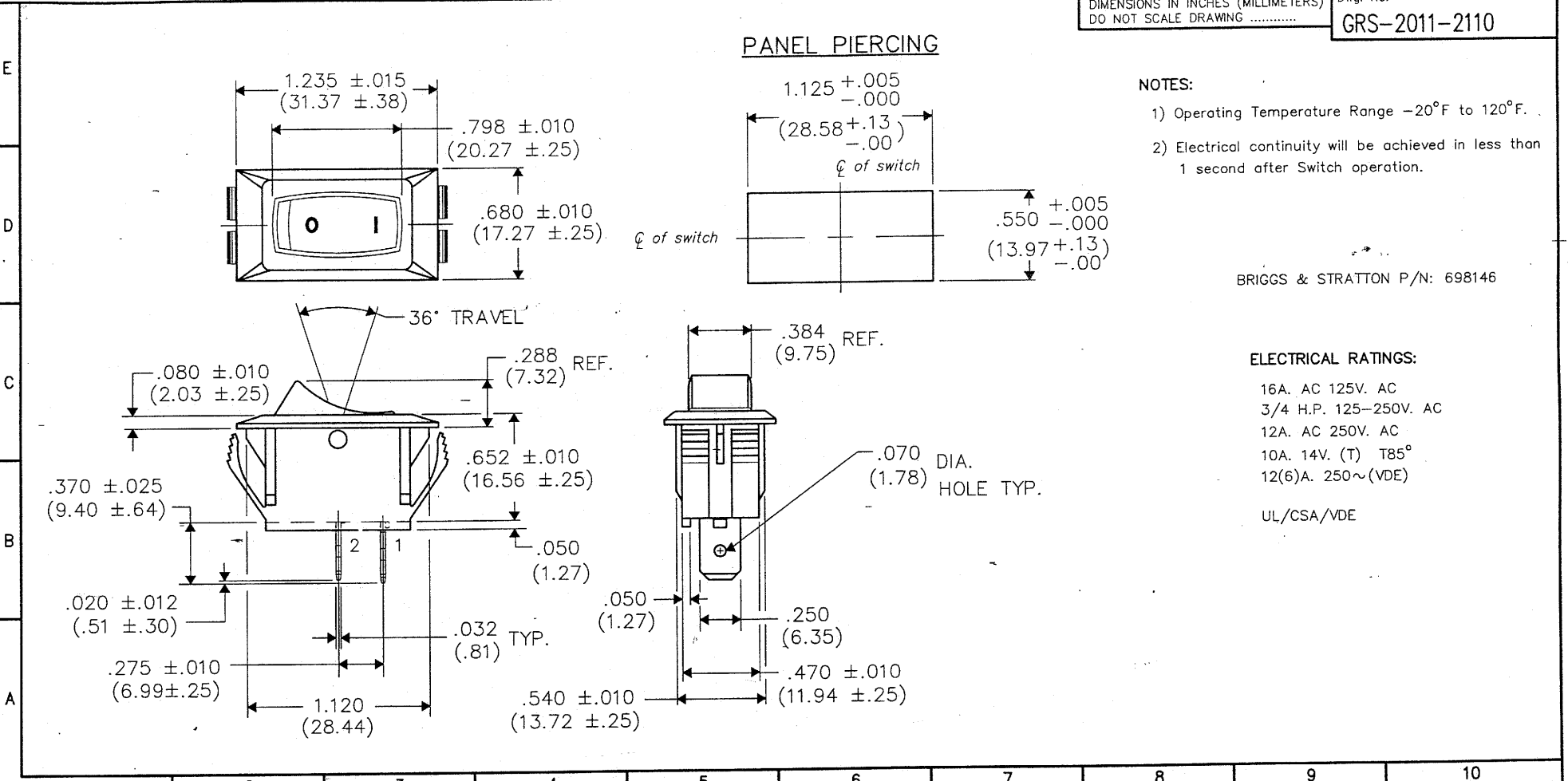
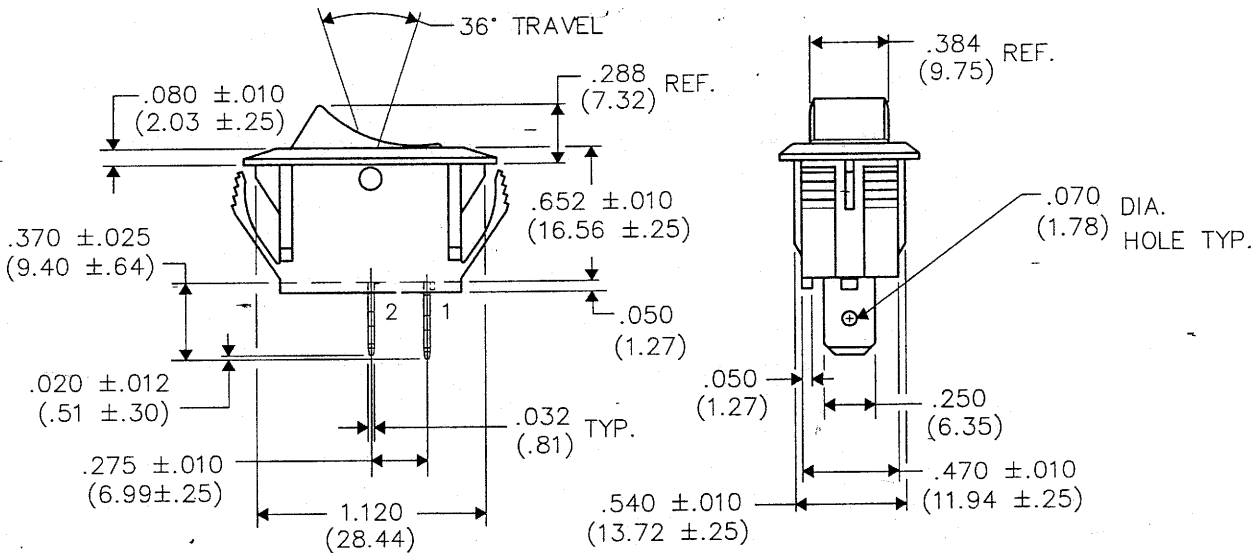
- 1) Operating Temperature Range -20°F to 120°F.
- 2) Electrical continuity will be achieved in less than 1 second after Switch operation.

BRIGGS & STRATTON P/N: 698146

ELECTRICAL RATINGS:

- 16A. AC 125V. AC
- 3/4 H.P. 125-250V. AC
- 12A. AC 250V. AC
- 10A. 14V. (T) T85°
- 12(6)A. 250~(VDE)

UL/CSA/VDE



B-FORMAT 2002	REVISIONS
	0
	1
	2
	GG FEB 20 2009

RELEASED DCW 7-08-2008 JUL 08, 2008	REVISED & REDRAWN DCW 1-20-2009 GG JAN. 22, 2009	ADDED BRIGGS & STRATTON P/N: 698146 & RATINGS. DCW 2-20-2009
---	--	--

PDF FILE MADE	CW INDUSTRIES Southampton, Pa. 18966
	TOLERANCES UNLESS OTHERWISE SPECIFIED
	2 Place Decimal ±.010 METRIC
	3 Place Decimal ±.005 1 Place Dec. ±.25mm
	Angles ±1' 2 Place Dec. ±.13mm
Made for: CW IND.	Division: SWITCH
Drawn by: DGW 7-08-2008	Dwg. No. GRS-2011-2110
Checked by: G. Gold 1-21-09	
Approval: G. Gold 1-21-09	

Title: ASSEMBLY ROCKER SWITCH S.P.S.T.
Division: SWITCH
Dwg. No. GRS-2011-2110

MASTER