

IBA-1

I-Beam Adaptor

Product Features:

Adapts ceiling mounts to clamp to an I-Beam

Works with all manufacturer's mounting systems when using 1.5" NPT plumbing pipe

Accommodates 2.25" to 12" flange widths

Accommodates maximum flange height of 1"

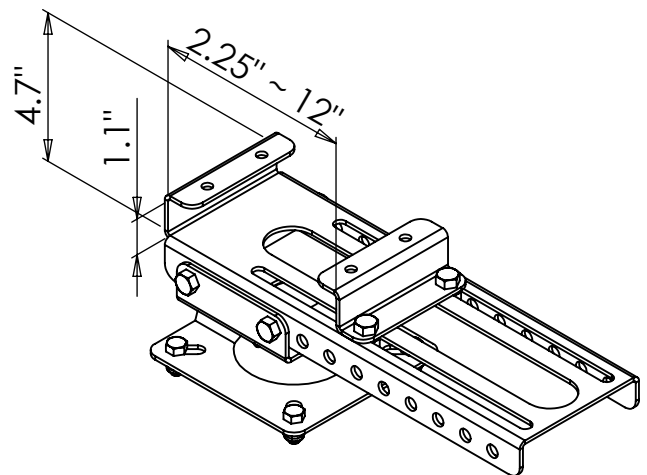
Will also work all VMP ceiling masts directly

Black powder coat finish

Product Specifications:

(for Architects & Engineers)

The adaptor to attach a ceiling mount to I-Beams shall be the Video Mount Products (VMP) model IBA-1. The adaptor shall be able to adjust for I-Beam flange widths from 2.25" to 12". The adaptor shall be able to accommodate a maximum flange height of 1". The adaptor shall be able to be able to work with all manufacturers' mounts when using 1.5" NPT pipe. The adaptor shall work with the ceiling mast provided in any Video Mount Products (VMP) ceiling mount.



Video Mount Products

345 Log Canoe Circle

Stevensville, MD 21666

Toll Free: 877.281.2169

Telephone: 410.643.6390

Facsimile: 410.643.6615

www.videomount.com

VMP
VIDEO MOUNT PRODUCTS