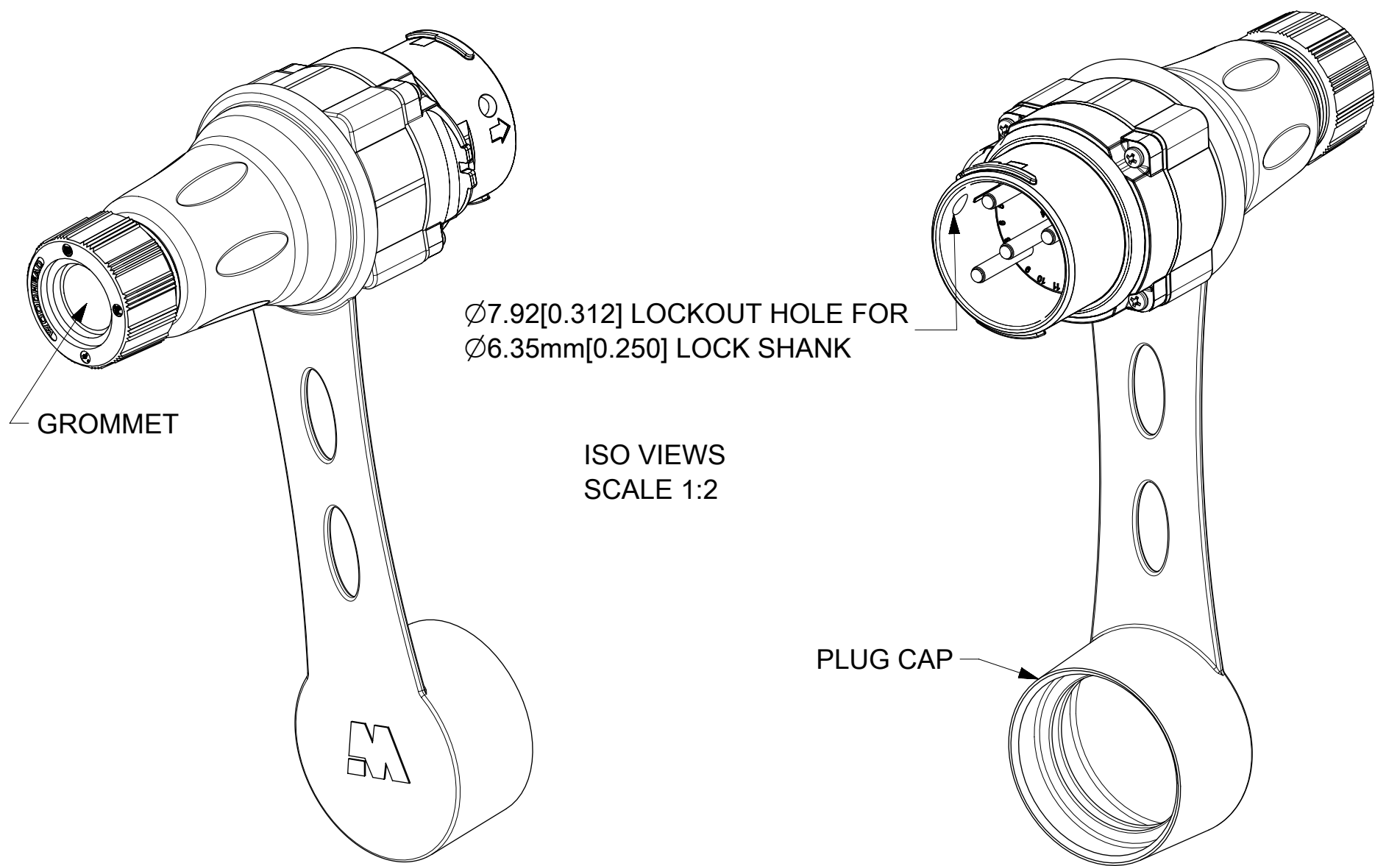
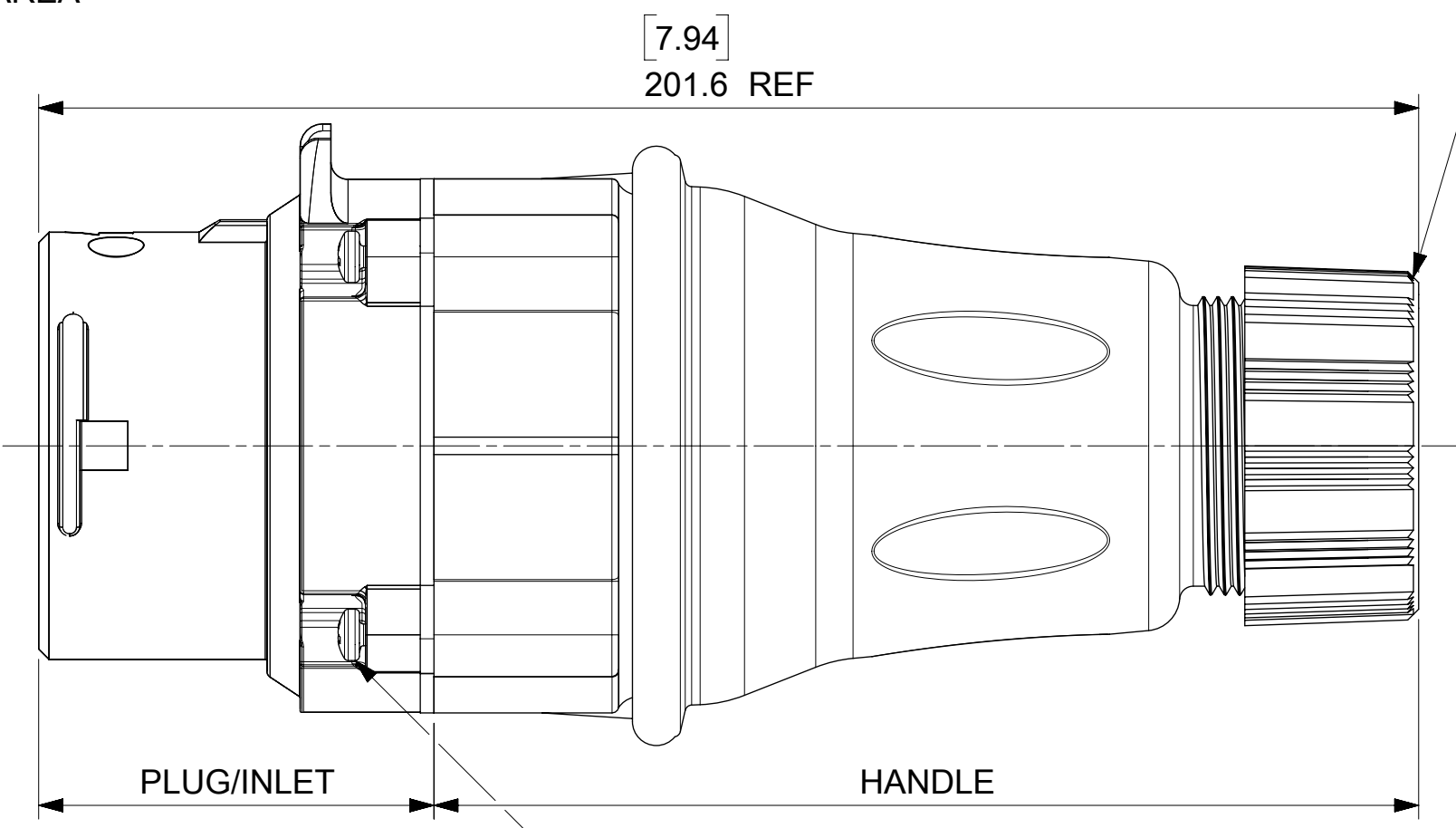
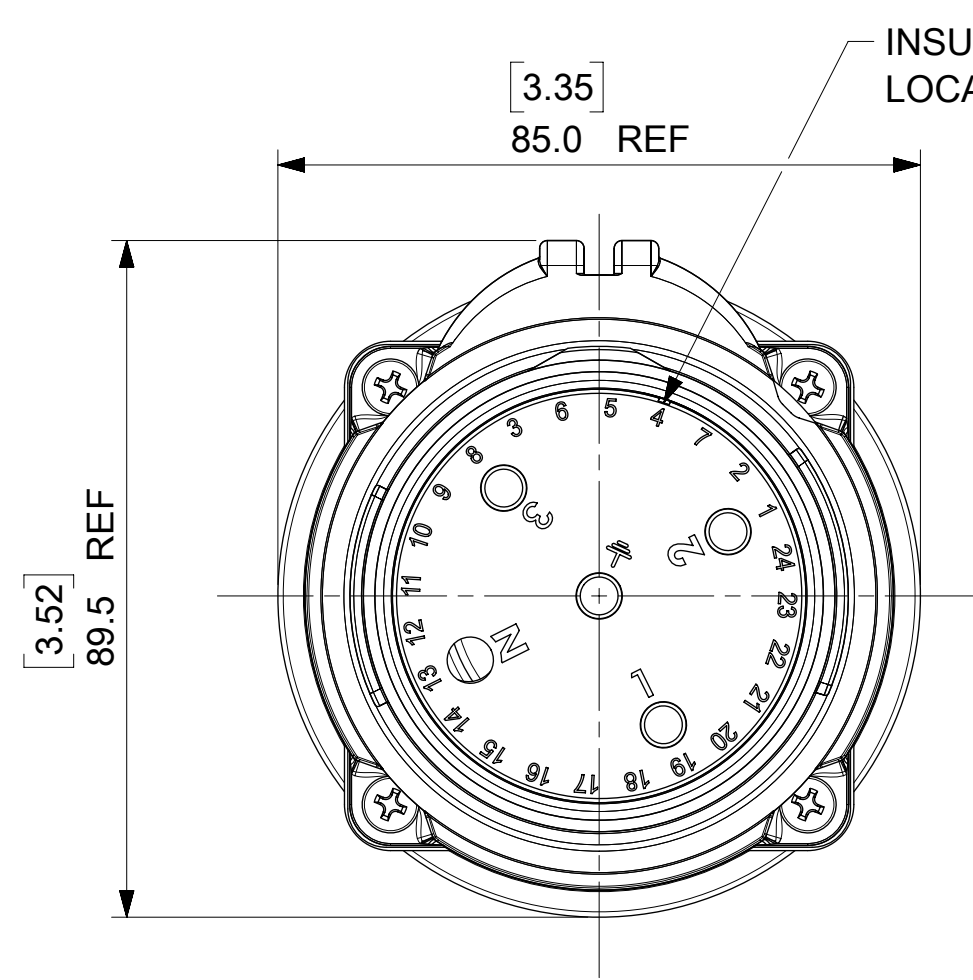


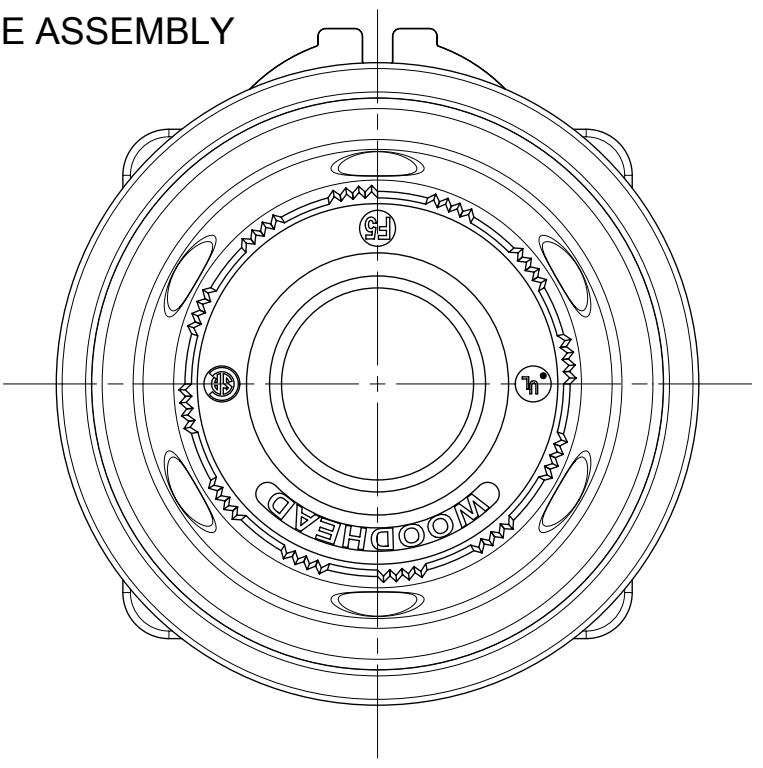
MATERIAL NUMBER	ENGINEERING NUMBER	DESCRIPTION	INSULATOR KEYING POSITION	HORSEPOWER RATING
1122171029	ARC60MHA01	ARC 60A MH 125VAC 1P+N+G	7	2 HP
1122171030	ARC60MHB02	ARC 60A MH 250VAC 2P+G		3 HP
1122171031	ARC60MHB03	ARC 60A MH 250VAC 3P+G		7.5 HP
1122171032	ARC60MHAB04	ARC 60A MH 125/250VAC 2P+N+G	16	NA
1122171033	ARC60MHC02	ARC 60A MH 208VAC 2P+G		NA
1122171034	ARC60MHC03	ARC 60A MH 208VAC 3P+G		7.5 HP
1122171035	ARC60MHAC05	ARC 60A MH 120/208VAC 3P+N+G	4	NA
1122171036	ARC60MHD01	ARC 60A MH 277VAC 1P+N+G		NA
1122171037	ARC60MHE02	ARC 60A MH 480VAC 2P+G		NA
1122171038	ARC60MHE03	ARC 60A MH 480VAC 3P+G	14	20 HP
1122171039	ARC60MHDE05	ARC 60A MH 277/480VAC 3P+N+G		NA
1122171040	ARC60MHF02	ARC 60A MH 600VAC 2P+G		NA
1122171041	ARC60MHF03	ARC 60A MH 600VAC 3P+G	14	20 HP
1122171042	ARC60MHGF05	ARC 60A MH 347/600VAC 3P+N+G		NA



ISO VIEWS  
SCALE 1:2



HAND TIGHTEN  
GROMMET  
AFTER CABLE ASSEMBLY



**NOTES:**  
**MATERIALS:**  
 HANDLE, HOUSINGS AND INSULATORS: GLASS FILLED PBT  
 CONTACTS: COPPER ALLOY WITH A SILVER NICKEL TIP, SILVER PLATED  
 MOUNTING GASKETS: SILICONE  
 GROMMET - RUBBER  
 FRICTION RING - NATURAL POLYETHYLENE  
 COMPRESSION NUT - BLACK PBT  
 SELF TAPPING SCREWS - STAINLESS STEEL  
 PLUG CAP - RUBBER

**RATINGS:**  
 CURRENT: 60 AMPS  
 VOLTAGE AND HORSEPOWER: SEE TABLE  
 AMBIENT OPERATING TEMPERATURE: -25°C (-13°F) TO 60°C (140°F)  
 (WITH MAX. 30°C RISE ABOVE AMBIENT)  
 ENVIRONMENTAL: NEMA TYPE 4X & IP69K  
 WIRING CAPACITY: 10 AWG MIN. TO 4 AWG MAX.  
 TORQUE TERMINAL SCREWS TO 1.7 Nm (15 in-lbs)  
 AGENCY: UL LISTING PENDING  
 SWITCH RATED RECEPTACLE/CONNECTOR  
 BRANCH CIRCUIT DISCONNECT SWITCH  
 MOTOR CIRCUIT DISCONNECT SWITCH IF HP RATED

PLUG/INLET AND HANDLE ARE PACKAGED SEPARATELY.  
 END USER ASSEMBLY REQUIRED PER INSTRUCTIONS INCLUDED.

GROMMET P/N	GROMMET COLOR	CABLE DIAMETER RANGE
1301800308	ORANGE	19.05mm-22.25mm(.750"-.875")
1301800309	YELLOW	22.23mm-25.40mm(.875"-1.000")
1301800310	BLACK	25.40mm-28.57mm(1.000"-1.125")

THIS DRAWING CONTAINS INFORMATION THAT IS PROPRIETARY TO MOLEX ELECTRONIC TECHNOLOGIES, LLC AND SHOULD NOT BE USED WITHOUT WRITTEN PERMISSION

DIMENSION UNITS <b>MM/INCH</b>	SCALE <b>1:1</b>	CURRENT REV DESC: GENERAL MARKET RELEASE	
GENERAL TOLERANCES (UNLESS SPECIFIED)		EC NO: 674097	
4 PLACES ±	±	DRWN: MJANTELEZIO	2021/08/17
3 PLACES ±	± 0.01	CHK'D: WLEUNG	2021/08/17
2 PLACES ±	± 0.25 ± 0.02	APPR: WLEUNG	2021/08/17
1 PLACE ±	± 0.5 ± 0.04	INITIAL REVISION:	
0 PLACES ±	± 1.0 ±	DRWN: VBSATHKARP	2018/08/20
ANGULAR TOL ±	± 3.0 °	APPR: JFMURPHY	2020/11/17
DRAFT WHERE APPLICABLE MUST REMAIN WITHIN DIMENSIONS	THIRD ANGLE PROJECTION	DRAWING	SERIES
		<b>C-SIZE</b>	<b>112217</b>

DOCUMENT NUMBER		DOC TYPE	DOC PART	REVISION
<b>1122171038</b>		PSD	000	<b>A2</b>
MATERIAL NUMBER	CUSTOMER	SHEET NUMBER		
SEE TABLE	GENERAL MARKET	1 OF 1		

**molex**

60A ARC ARREST PLUG KIT HANDLE W/O DPLAT

PRODUCT CUSTOMER DRAWING