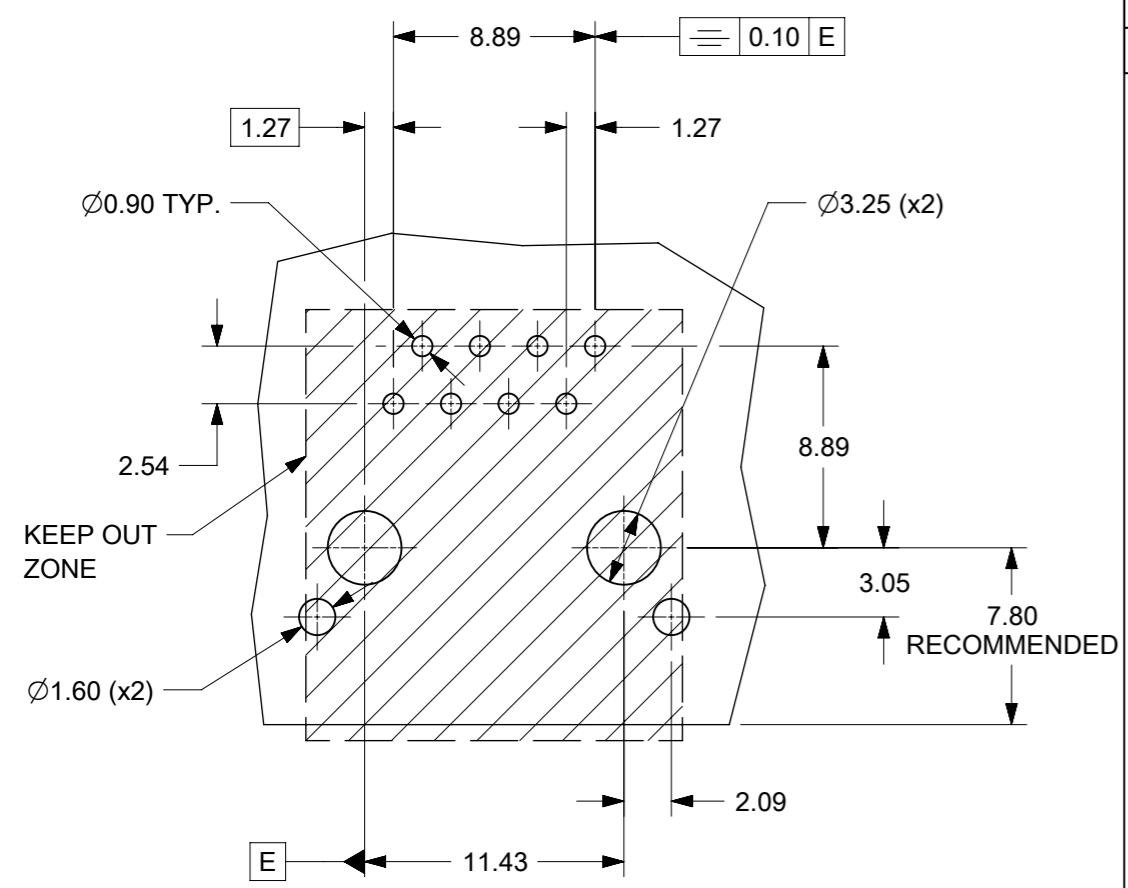
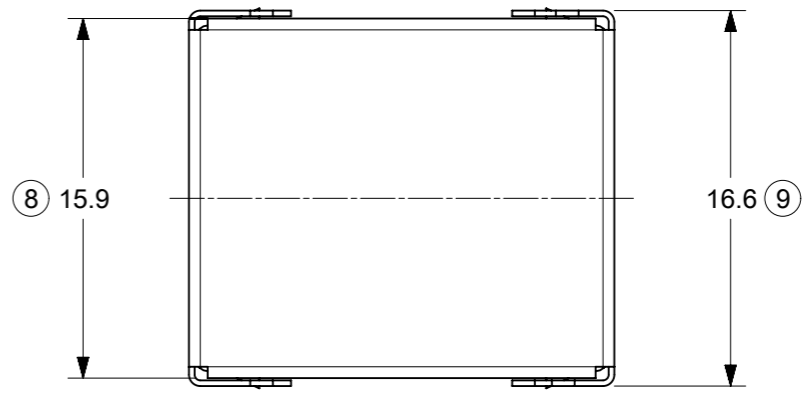
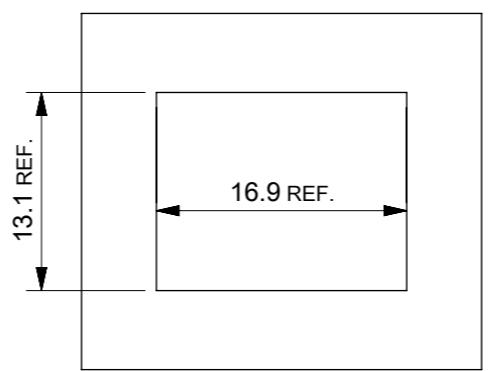


PART NO.	PACKAGING SPEC.
95622-3981	PK-95122-006



RECOMMENDED P.C.B LAYOUT
VIEW FROM COMPONENT SIDE
ALL DIMENSIONS REF DIMENSIONS

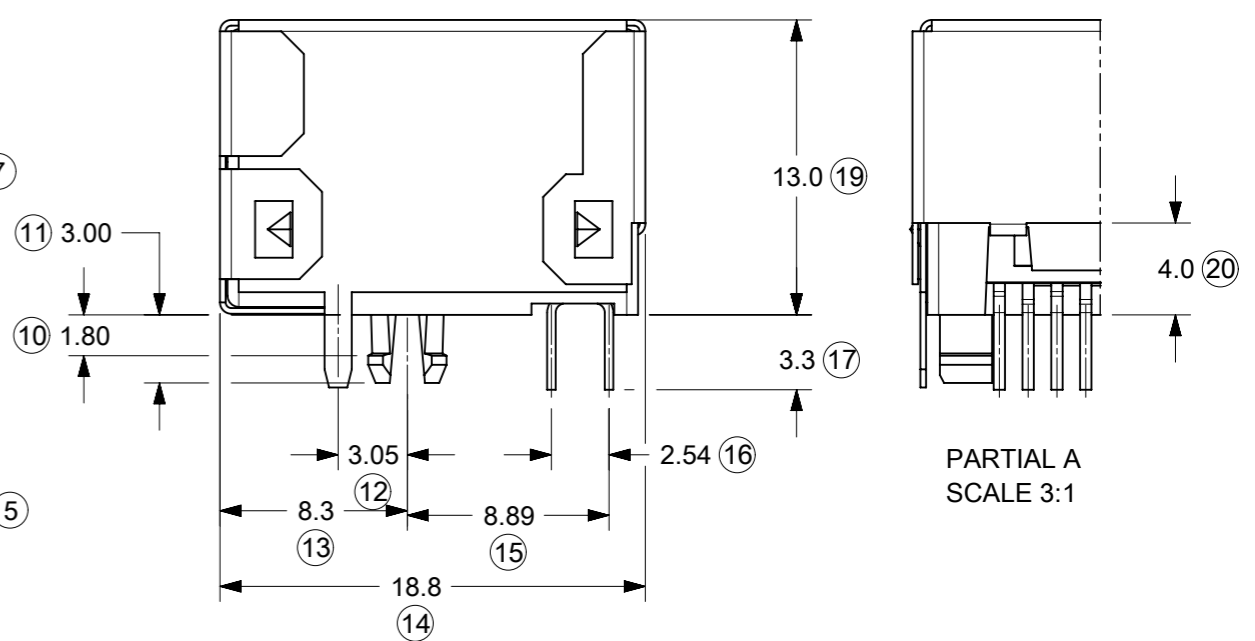
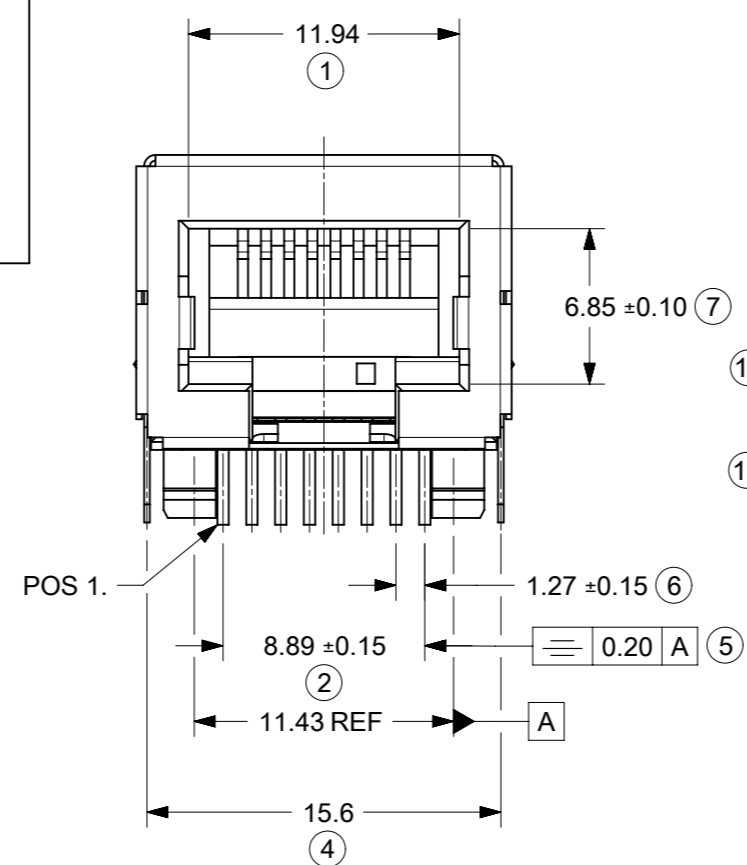
SUGGESTED PANEL CUTOUT
SCALE 2:1



TECHNICAL SPECIFICATIONS:
MATERIAL:
 HOUSING: LCP GLASS FILLED UL 94-V0, COLOUR BLACK.
 TERMINAL: COPPER ALLOY PLATED WITH:
 BASE FINISH: NICKEL
 CONTACT SURFACE FINISH:
 GOLD
 OR
 GOLD FLASH OVER PALLADIUM NICKEL.
 EXCEEDS PRODUCT REQUIREMENTS BASED ON PS-95622-001
 SHIELD: COPPER ALLOY PLATED WITH TIN.

- NOTES:**
- JACK FOR MATING WITH SHIELDED PLUG MOLEX 95043 AND 85568 SERIES.
 - PRODUCT SPECIFICATION: MOLEX PS-95622-001.
 - P.C.B. THICKNESS: 1.57
 - PACKAGING SPECIFICATION: SEE CHART. TUBE PACKAGING.
 - APPLICATION SPECIFICATION: AS-85513-001

LAST INSPECTION NO.: 20
 REMOVED INSPECTION NO: 3, 18



PARTIAL A
SCALE 3:1

THIS DRAWING CONTAINS INFORMATION THAT IS PROPRIETARY TO MOLEX ELECTRONIC TECHNOLOGIES, LLC AND SHOULD NOT BE USED WITHOUT WRITTEN PERMISSION		CURRENT REV DESC: ADDED PANEL CUTOUT		molex	
DIMENSION UNITS	SCALE				
mm	3:1			PRODUCT CUSTOMER DRAWING	
GENERAL TOLERANCES (UNLESS SPECIFIED)				DOCUMENT NUMBER	
ANGULAR TOL ± 2.0°				SD-95622-003	
4 PLACES ±		EC NO: 735778		DOC TYPE	
3 PLACES ±		DRWN: ASWINA		PSD	
2 PLACES ± 0.25		2022/12/26		DOC PART	
1 PLACE ± 0.35		3023/01/27		001	
0 PLACES ±		APPR: KLANG		REVISION	
DRAFT WHERE APPLICABLE MUST REMAIN WITHIN DIMENSIONS		INITIAL REVISION:		G2	
THIRD ANGLE PROJECTION		DRWN: D.BYRNES		SERIES	
DRAWING		2006/07/27		95622	
A3-SIZE		APPR: EOMAHONY		MATERIAL NUMBER	
		2006/07/28		SEE CHART	
				CUSTOMER	
				GENERAL MARKET	
				SHEET NUMBER	
				1 OF 1	