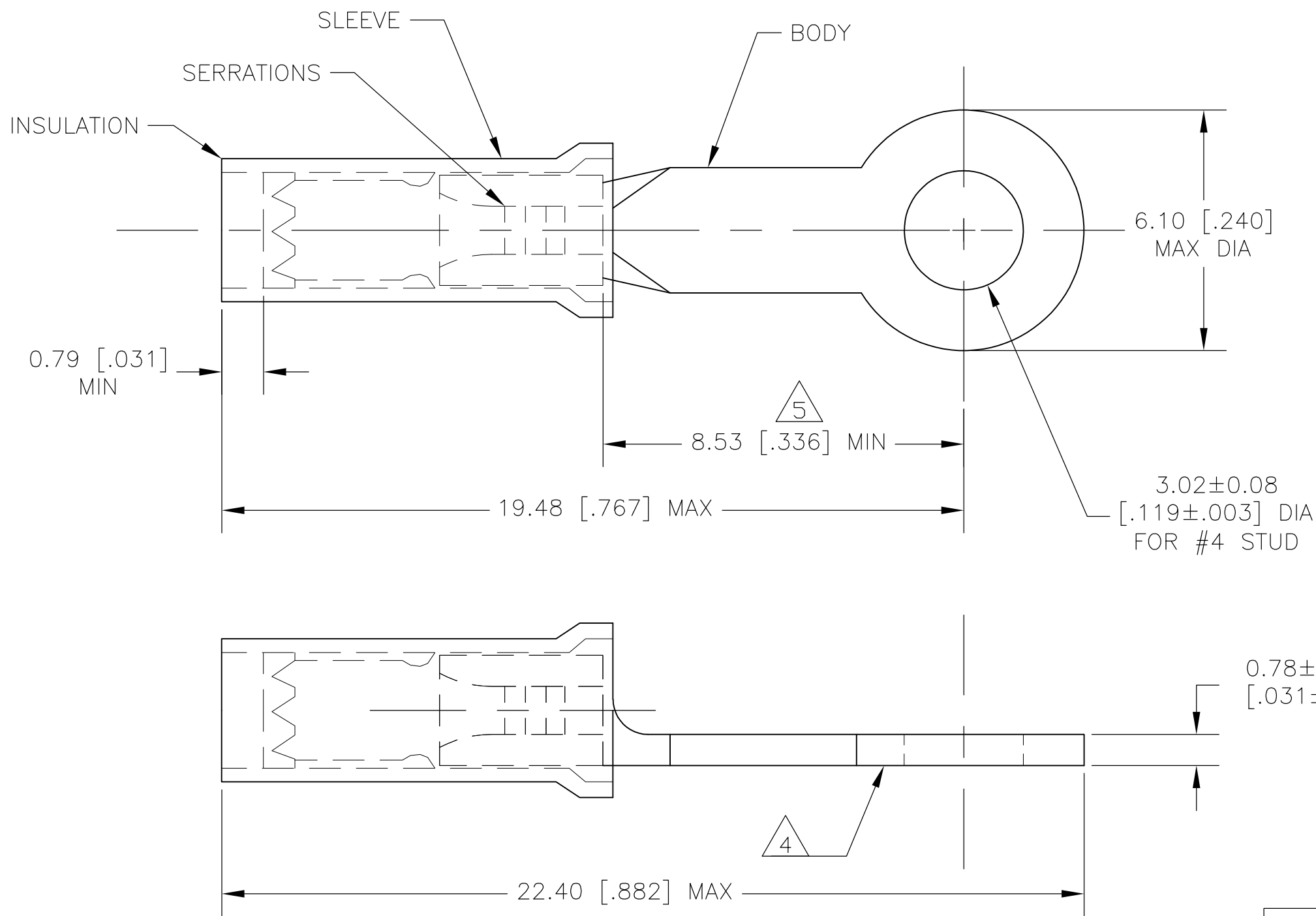


THIS DRAWING IS UNPUBLISHED. RELEASED FOR PUBLICATION
© COPYRIGHT - BY TYCO ELECTRONICS CORPORATION. ALL RIGHTS RESERVED.

LOC	DIST	REVISIONS					
G	86	P	LTR	DESCRIPTION	DATE	DWN	APVD
			C1	REVISED PER ECR 07-017865	30AUG07	JR	TM



- 1 BODY - COPPER PER ASTM B152 ANNEALED
SLEEVE - COPPER PER ASTM B152
INSULATION - NYLON
- 2 BODY & SLEEVE - TIN PLATED
INSULATION - COLOR - PURPLE
- 3 FOR 1.14-2.03 [.045-.080] DIA WIRE INSULATION
- 4 STAMP AMP 20, APPROX WHERE SHOWN.
- 5 APPLIES FROM EDGE OF METAL WIRE BARREL TO CENTERLINE OF STUD HOLE.
- 6 0.41-0.65mm² [.810-1,290] CMA SOLID OR STRANDED

0.78±0.05
[.031±.002]

1000	LOOSE PIECE	154924
QTY	PACKAGING TYPE	PART NO.

THIS DRAWING IS A CONTROLLED DOCUMENT.		DWN	jr_ruth	30JULY07	Tyco Electronics Corporation Harrisburg, PA 17105-3608		
DIMENSIONS: MM [INCHES]		CHK	T MICHELUTTI	30AUG07	NAME RING TONGUE, PIDG		
TOLERANCES UNLESS OTHERWISE SPECIFIED:		APVD	T MICHELUTTI	30AUG07	PRODUCT SPEC -		
0 PLC ± -		APPLICATION SPEC		SIZE			RESTRICTED TO
1 PLC ± -		-		CAGE CODE			-
2 PLC ± -		-		DRAWING NO			
3 PLC ± 0.38 [.015]		-		G=154924			-
4 PLC ± -		-		SCALE			
ANGLES ± 5°		-		6:1			SHEET
MATERIAL - 1		FINISH - 2		CUSTOMER DRAWING			1 OF 1
				WEIGHT -			REV
				SCALE 6:1			C1