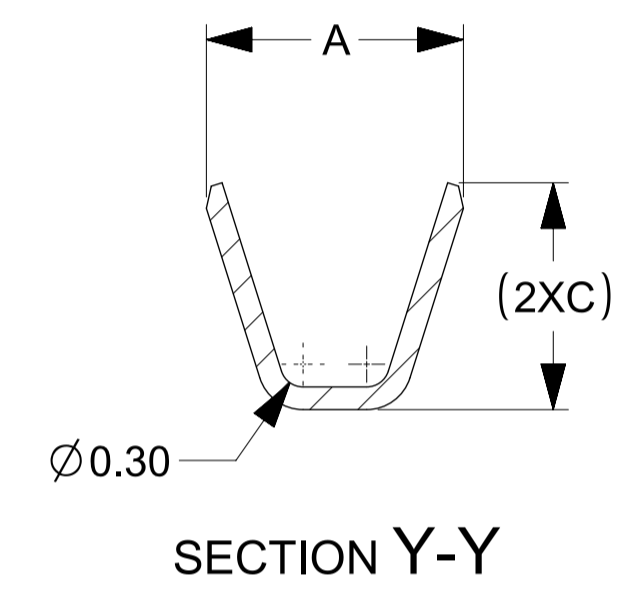
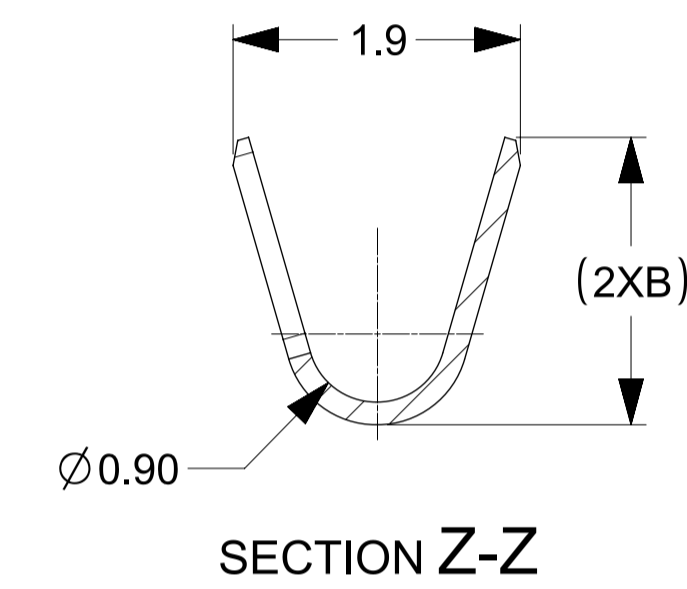


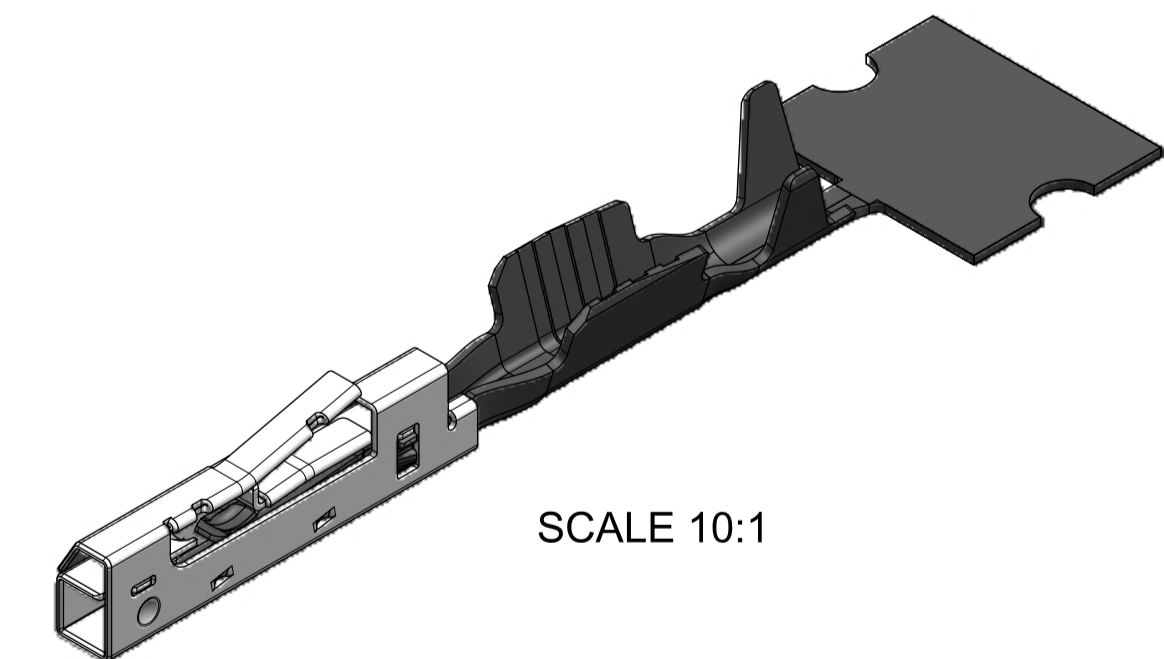
Part Number	DESCRIPTION	STATUS	Marking Type	Top Layer Plating Type	Grip Code	Wire Insulation OD - mm	Wire Size - mm ²	Pay Off Direction	Dimensions - mm			
									Dim A ± 0.10	Dim B ± 0.10	Dim C ± 0.10	Dim H ± 0.05
2000960101	STANDARD	ACTIVE	LTG	Sn	L	1.2-1.3	0.35	D	1.7	1.9	1.5	0.17
2000960201			STG	Sn	S	0.95-1.05	0.13	D	1.6	1.8	1.25	0.17
2000960161			LTG	Sn	L	1.2-1.3	0.35	B	1.7	1.9	1.5	0.17
2000960261	HIGH PERFORMANCE	IN DEVELOPMENT	STG	Sn	S	0.95-1.05	0.13	B	1.6	1.8	1.25	0.17
2000960102			LMH	Sn	L	1.2-1.3	0.35	D	1.7	1.9	1.5	0.24
2000960202			SMH	Sn	S	0.95-1.05	0.13	D	1.6	1.8	1.25	0.24
2000960162			LMH	Sn	L	1.2-1.3	0.35	B	1.7	1.9	1.5	0.24
2000960262			SMH	Sn	S	0.95-1.05	0.13	B	1.6	1.8	1.25	0.24



NOTES: (UNLESS OTHERWISE SPECIFIED)

1. MATERIAL: COPPER ALLOY
2. PLATING: SEE TABLE 1
3. PACKAGING SPEC: 313025040
4. CRIMPING SPEC: 2000960001
5. PRODUCT SPEC: 2000960000

6. PROBING THE CONTACT INTERFACE OF THE TERMINAL OR AT ANY POINT ON THE TERMINAL BEAM IS NOT PERMITTED



QUALITY SYMBOLS ▽ = 0 ▽ = 0 ▽ = 0 ▽ = 0 ▽ = 0 ▽ = 0 ▽ = 0 ▽ = 0 ▽ = 0	THIS DRAWING CONTAINS INFORMATION THAT IS PROPRIETARY TO MOLEX ELECTRONIC TECHNOLOGIES, LLC AND SHOULD NOT BE USED WITHOUT WRITTEN PERMISSION			
	EC NO: 632318 DRWN: RSETHURAMAN CHKD: BMOSER APPR: BMOSER	2019/12/19 2020/02/19 2020/02/19	GENERAL TOLERANCES (UNLESS SPECIFIED) ANGULAR TOL ± 1.0 ° 4 PLACES ± 0.01 3 PLACES ± 0.015 2 PLACES ± 0.05 1 PLACE ± 0.1 0 PLACES ± 0.2 DRAFT WHERE APPLICABLE MUST REMAIN WITHIN DIMENSIONS	DIMENSION UNITS: mm SCALE: 20:1 DRWN BY: NBHAGYANATHA DATE: 2014/10/10 CHKD BY: YLEPOTTIER DATE: 2016/03/28 APPR BY: YLEPOTTIER DATE: 2016/03/28 DRAFTING SIZE: A1 THIRD ANGLE PROJECTION
MOLEX TAK50_WR_TERM_RCPT UNSEALED				PRODUCT CUSTOMER DRAWING
SERIES: 200096		MATERIAL NUMBER: 2000960001		CUSTOMER:
DOCUMENT NUMBER: 2000960001		DOC TYPE: PSD		DOC PART: 000 SHEET NUMBER: 1 OF 1