



Main

| | |
|-------------------------------|---|
| Range of Product | Telemecanique Photoelectric sensors XU |
| Series name | General purpose single mode |
| Electronic sensor type | Photo-electric sensor |
| Sensor name | XUX |
| Sensor design | Compact 92 x 71 |
| Detection system | Polarised reflex |
| Material | Plastic |
| Type of output signal | Discrete |
| Supply circuit type | DC |
| Wiring Technique | 3-wire |
| Discrete output type | PNP |
| Discrete output function | 1 NC |
| Electrical connection | Screw-clamp terminals, 1 x 1.5 mm ² or 1 x 0.75 mm ² with adaptor |
| Product Specific Application | - |
| Emission | Red polarised reflex |
| [Sn] nominal sensing distance | 36.09 ft (11 m) polarised reflex need reflector XUZC50 |

Complementary

| | |
|--------------------------------|--|
| Enclosure Material | PBT |
| Lens material | PMMA |
| Maximum sensing distance | 49.21 ft (15 m) polarised reflex |
| Output Type | Relay |
| Cable entry | 1 entry for M16 x 1.5 cable gland 0.28...0.39 in (7...10 mm) |
| Status LED | 1 LED yellow)output state 1 LED red)instability 1 LED green)supply |
| [Us] rated supply voltage | 24...240 V AC/DC |
| Switching capacity in mA | 3 A cos ϕ = 1 for 0.5 million cycles at 1 operating cycle per second at 250 V) 0.5 A cos ϕ = 0.4 for 0.5 million cycles at 1 operating cycle per second at 250 V) |
| Switching frequency | <= 20 Hz |
| Maximum voltage drop | <1.5 V closed state) |
| Current consumption | <= 35 mA no-load |
| Maximum power consumption in W | 2 W AC/DC |
| Maximum delay first up | 60 ms |
| Maximum delay response | 25 ms |
| Maximum delay recovery | 25 ms |
| Setting-up | Sensitivity adjustment |
| Electrical durability | 500000 Cycles 1 60 cyc/mn 250 V 500000 cycles 0.4 60 cyc/mn 250 V |
| Depth | 3.03 in (77 mm) |
| Height | 3.62 in (92 mm) |
| Width | 1.22 in (31 mm) |
| Net Weight | 0.44 lb(US) (0.2 kg) |

Environment

| | |
|---------------------------------------|--|
| Product Certifications | UL CE CSA |
| Ambient air temperature for operation | -13...131 °F (-25...55 °C) |
| Ambient Air Temperature for Storage | -40...158 °F (-40...70 °C) |
| Vibration resistance | 7 gn +/- 1.5 mm 10...55 Hz IEC 60068-2-6 |
| Shock resistance | 30 gn 11 ms) IEC 60068-2-27 |
| IP degree of protection | IP67 double insulation IEC 60529 IP65 double insulation IEC 60529 |

Ordering and shipping details

| | |
|-----------------------|------------------------------|
| Category | 22481-SENSORS, PHOTOELECTRIC |
| Discount Schedule | DS2 |
| GTIN | 3389110171525 |
| Nbr. of units in pkg. | 1 |
| Package weight(Lbs) | 6.70 oz (190.0 g) |
| Returnability | No |
| Country of origin | FR |

Packing Units

| | |
|------------------------------|------------------------|
| Unit Type of Package 1 | PCE |
| Package 1 Height | 1.65 in (4.2 cm) |
| Package 1 width | 3.74 in (9.5 cm) |
| Package 1 Length | 5.12 in (13 cm) |
| Unit Type of Package 2 | S01 |
| Number of Units in Package 2 | 11 |
| Package 2 Weight | 5.10 lb(US) (2.315 kg) |
| Package 2 Height | 5.91 in (15 cm) |
| Package 2 width | 5.91 in (15 cm) |
| Package 2 Length | 15.75 in (40 cm) |
| Unit Type of Package 3 | S02 |
| Number of Units in Package 3 | 22 |
| Package 3 Weight | 9.98 lb(US) (4.525 kg) |
| Package 3 Height | 5.91 in (15 cm) |
| Package 3 width | 11.81 in (30 cm) |
| Package 3 Length | 15.75 in (40 cm) |

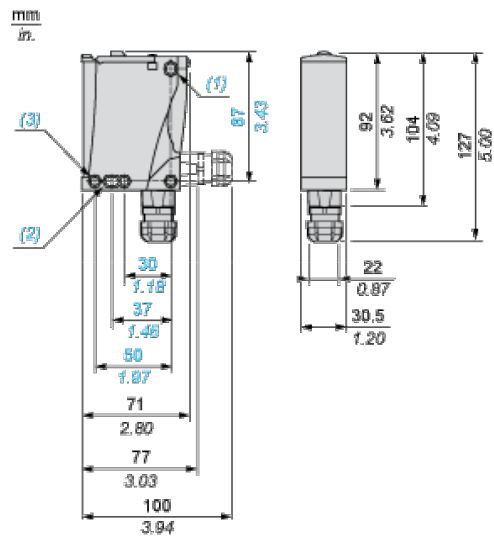
Offer Sustainability

| | |
|----------------------------|---|
| Sustainable offer status | Green Premium product |
| California proposition 65 | WARNING: This product can expose you to chemicals including: Diisononyl phthalate (DINP), which is known to the State of California to cause cancer, and Di-isodecyl phthalate (DIDP), which is known to the State of California to cause birth defects or other reproductive harm. For more information go to www.P65Warnings.ca.gov |
| REACH Regulation | REACH Declaration |
| EU RoHS Directive | Pro-active compliance (Product out of EU RoHS legal scope) EU RoHS Declaration |
| Mercury free | Yes |
| RoHS exemption information | Yes |
| Environmental Disclosure | Product Environmental Profile |
| Circularity Profile | End Of Life Information |

Contractual warranty

| | |
|----------|-----------|
| Warranty | 18 months |
|----------|-----------|

Dimensions



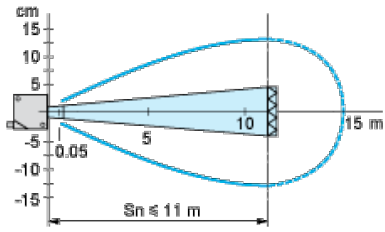
- (1) Elongated hole $\text{\O} 5.5 \times 7$
- (2) Elongated hole $\text{\O} 5.5 \times 9$
- (3) $\text{\O} 5.5$ hole

Wiring Schemes

PNP/NPN DC

| M12 | | Terminals | | |
|-----|---|-----------|---|--------|
| 1 | ● | 1 | ⊘ | + |
| 3 | ● | 2 | ⊘ | - |
| 4 | ● | 3 | ⊘ | Output |

Detection Curves



With reflector XUZC50