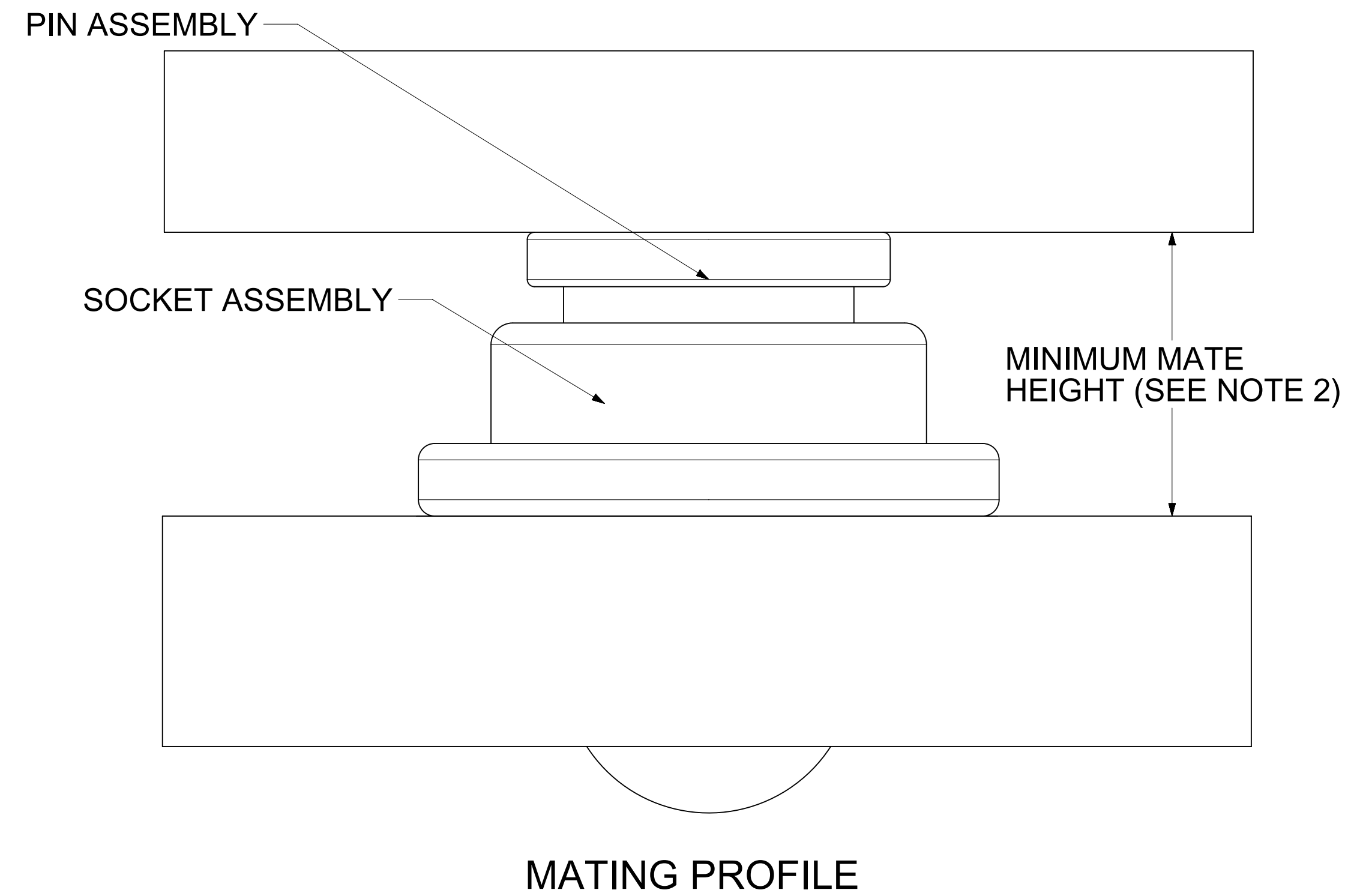


6.35 SHOWN
1.58MM MINIMUM RECOMMENDED
PCB THICKNESS)

SECTION B-B



NOTES:

- MATERIALS:
RETENTION CAP: STAINLESS STEEL
PICK AND PLACE CAP: LCP UL94, V-0 COLOR BLACK
BASE METAL: HIGH CONDUCTIVE COPPER ALLOY
PLATING ON CONTACTS: 0.75 MICRON MIN GOLD OVER 1.27 MICRON MIN NICKEL
PLATING ON BODY: 3.18 MICRON MIN SILVER OVER 1.27 MICRON MIN NICKEL
- MATES WITH STANDARD PIN DRAWINGS:
i. 8.0MM SMT DRAWING 2032633080-SD, MIN. MATING DISTANCE 7.45MM
ii. 8.0MM PRESS FIT DRAWING 2032630001-SD, MIN. MATING DISTANCE 7.8MM
iii. 8.0MM SCREW MOUNT DRAWING 2032634185-SD, MIN. MATING DISTANCE 10.8MM
- PRODUCT SPECIFICATION: 2043130001-PS
- APPLICATION SPECIFICATION: 2043130001-AS.
SEE APPLICATION SPEC FOR SOLDERING INFORMATION.
- PACKAGING SPECIFICATION: 2043180001-PK.
- SILVER COMPONENTS WILL BE SUPPLIED TARNISH FREE BUT MAY TARNISH OVER TIME.
- PICK AND PLACE CAP TO BE REMOVED AFTER SOLDERING
- DATE CODE TO BE LASER MARKED APPROXIMATELY WHERE SHOWN USING DDDYY FORMAT

THIS DRAWING CONTAINS INFORMATION THAT IS PROPRIETARY TO MOLEX ELECTRONIC TECHNOLOGIES, LLC AND SHOULD NOT BE USED WITHOUT WRITTEN PERMISSION

DIMENSION UNITS	SCALE	CURRENT REV DESC: UPDATED THE TITLE BLOCK		
mm	NTS			
GENERAL TOLERANCES (UNLESS SPECIFIED)				
ANGULAR TOL	± 0.5°			
4 PLACES	±	EC NO: 747243		
3 PLACES	±	DRWN: SACHIK7	2023/02/28	
2 PLACES	± 0.15	CHK'D: SCS02	2023/04/25	
1 PLACE	± 0.25	APPR: HTHYAGARAJ	2023/04/26	
0 PLACES	±	INITIAL REVISION:		
DRAFT WHERE APPLICABLE MUST REMAIN WITHIN DIMENSIONS		DRWN: JJONIAK	2018/12/03	
		APPR: BPISZCZOR	2019/06/20	
THIRD ANGLE PROJECTION		DRAWING	SERIES	MATERIAL NUMBER
		D-SIZE	204318	2043180011
		CUSTOMER	GENERAL MARKET	
		DOCUMENT NUMBER	DOC TYPE	DOC PART
		2043180011-SD	PSD	000
		REVISION		B2
		SHEET NUMBER		
		1 OF 1		