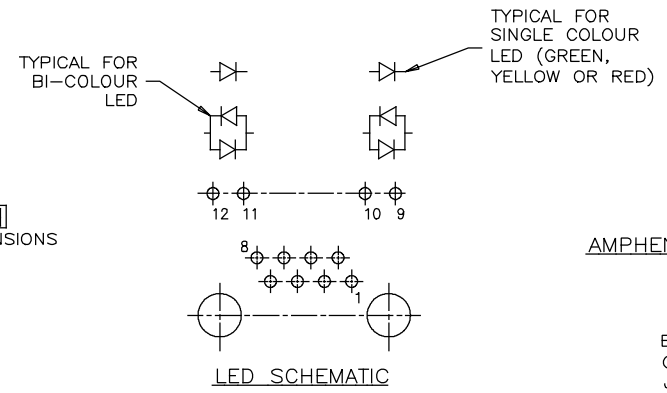
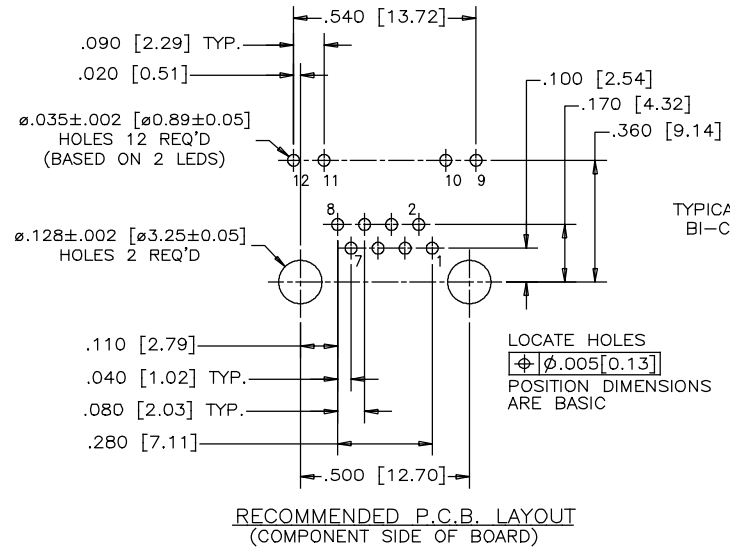
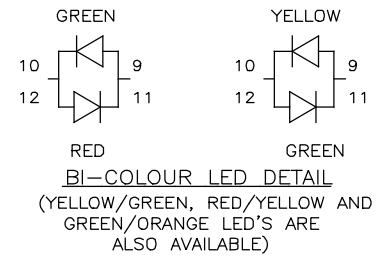
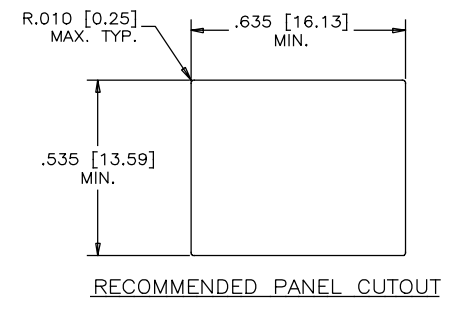
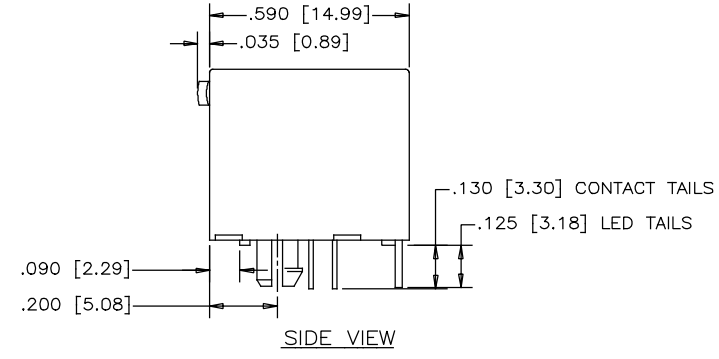
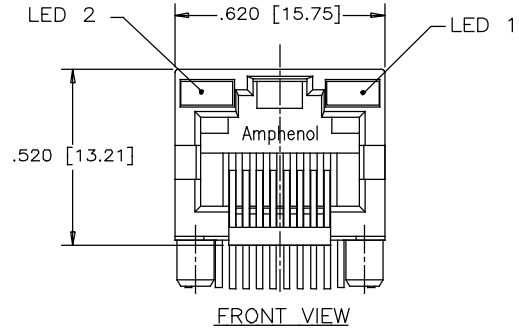


REVISIONS			
REV	DESCRIPTION, ECN, EAR NO.	DATE	APP'D
A	PROPOSAL DRAWING	MAR 3/16	L.CHAN



1. **MATERIALS:**
 PLASTIC HOUSING: HIGH TEMPERATURE ENGINEERING THERMOPLASTIC
 FLAMMABILITY RATING UL 94V-0 COLOUR: BLACK.
 CONTACTS: PHOSPHOR BRONZE
 PLATING: GOLD PLATING ON MATING SURFACES
 (SEE PART NO. FOR THICKNESS).
 50 μ" [1.27 MICRONS]
 MIN. NICKEL UNDERPLATE
 100 μ" [2.54 MICRONS]
 MIN. MATTE TIN ON CONTACT TAILS.

AMPHENOL PART NUMBER: RJHSE-X08X-A1X

- GOLD PLATING
 E=RJ45 FLAT CONTACT 6u"
 G=RJ45 FLAT CONTACT 15u"
 J=RJ45 FLAT CONTACT 30u"
 5=RJ45 FLAT CONTACT 50u"
 0=RJ45 FLAT CONTACT 1u"
 REFER TO LED OPTIONS DRAWING FOR ORDERING CODES

UNLESS SPECIFIED OTHERWISE PRIMARY UNITS INCH SECONDARY UNITS MILLIMETER REFERENCE IN PARENTHESES	DRAWN	W.QIU	MAR.3/16	Amphenol Canada Corp. www.amphenolcanada.com
	CHECKED	L.CHAN	MAR.3/16	
	M.E. APP'D			
	Q.A. APP'D			
	DWG APP'D			
1 DECIMAL PLACE	±0.025			SINGLE-PORT HIGH SPEED RJ45 MODULAR JACK, WITH LEDS, 8 POS. 8 CONTACTS, NO SHIELD-RoHS COMPLIANT
2 DECIMAL PLACE	±0.020			
3 DECIMAL PLACE	±0.015			
ANGULAR DEGREES	±1'			
	THIRD ANGLE PROJECTION		DO NOT SCALE DRAWING	DWG NO. P-RJHSE-X08X-A1X
THIS DOCUMENT CONTAINS PROPRIETARY INFORMATION AND SUCH INFORMATION MAY NOT BE DISCLOSED TO OTHERS FOR ANY PURPOSE OR USED FOR MANUFACTURING PURPOSES WITHOUT WRITTEN PERMISSION FROM AMPHENOL CANADA CORP.				REV A
CODE ID NO. 03554 DWG SIZE: C SCALE: N/A SHEET 1 OF 1				