



Suitable for machine tool equipment that needs excellent water and oil proof features

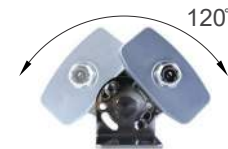


Common Specifications

- Special sealing structure provides excellent oil resistance, suitable for environments with high temperature cutting oil
- Suitable for high pressure and high temperature water cleaning environments(IP69K)
- Tempered glass prevents damage from machine tool chips
- Bracket included has tilt adjustment with angle of 120°
- Can select from variety of body length of 200/ 300/ 400/ 500/ 600mm to fit your application needs
- Can choose anti-glare lens type depending on work environment needs
- Can customize the product with the M12 connector if requested
- High-intensity type available upon request (Model number : QMFHLN)
- Certificates : CE Compliant, UL Listed



Tilt Type K Bracket



The standard bracket included enables tilt adjustment with angle of 120°



Structural Features

- Special sealing structure features superior oil resistance**
Prevents components from moving in the sealed body due to warpage from high temperature over a period of time
- Chemically Tempered Glass**
Prevents shock damage from machine tool chips
- Special Micro Lens**
Provides high luminance with superior light focusing capability, suitable for work environments that need long distance direct visibility
- Aluminum Heat-Radiant Housing**
Adopted special heat-radiant structure to provide stable luminance in high temperature sealed environment

Cable entry M12 connector attached type

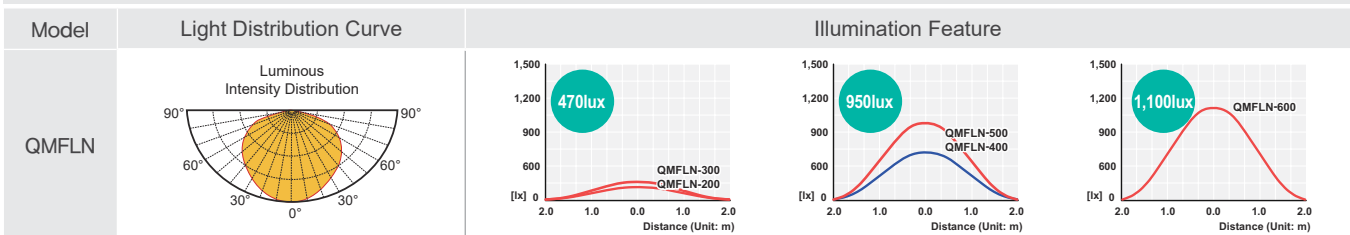


Customized Cable entry M12 connector attached type available.

Test Conditions/ Regulations

Vibration Resistance Test	<ul style="list-style-type: none"> • Acceleration : 20m/s² • Duration : 1 octave/min • Range of frequency : 10-150Hz • Amplitude : Maximum 7.5mm, Direction : tested 10times each 3 directions(X, Y, Z)
Shock Resistance Test	<ul style="list-style-type: none"> • Acceleration : 20g • Directions : ±X, ±Y, ±Z • Numbers : 3 times each directions • Time period : 11ms for each direction • Waveform : Half sine
Oil Resistance Test	<ul style="list-style-type: none"> • General test : Tested in water soluble and non-water soluble flooded environments for 500 hours. • High temperature oil resistance test : Place the object in a constant temperature water bath at 80°C for two hours and then submerge the object in the room temperature oil diluent for 24hours.
Solid Particle Protection Test(IP6X)	<ul style="list-style-type: none"> • After reducing the pressure inside the test object, spray talcum powder with a nominal diameter of 50um for 2 hours at 40-60meters/hour inside the dust chamber. • IEC60529
Liquid Ingress Protection Test(IPX7)	<ul style="list-style-type: none"> • Test ingress by putting the object under 1000mm water with 2bar of pressure for 30 mins
High-pressure, High-temperature Wash-down Test (IP69K)	<ul style="list-style-type: none"> • Spray nozzle provides 80°C water with pressure of 80-100 bar and a flow rate of 14-16 L/min to the object • Distance between spray nozzle and the test object : 10-15cm • Water spray angle : 0°, 30°, 60°, 90° • The nozzle is held at 4 of each angle for 30 seconds • DIN 40050 PART9

Light Distribution and Illuminance



Optics Specifications

Model	QMFLN-200	QMFLN-300	QMFLN-400	QMFLN-500	QMFLN-600	
Lens color	(Blank)	Transparent	Transparent	Transparent	Transparent	
	TLC	Translucent	Translucent	Translucent	Translucent	
Light color	Cooldaylight					
Color temperature	6,000-7,000K					
Luminous flux	DC	(Blank) 359lm	851lm	1,284lm	1,553lm	1,719lm
		TLC 306lm	730lm	1,109lm	1,394lm	1,532lm
	AC	(Blank) 508lm	1,125lm	1,844lm	2,180lm	2,226lm
		TLC 342lm	710lm	1,170lm	1,750lm	2,012lm
Efficacy (lm/W)	DC	(Blank) 240Lux	560Lux	850Lux	1,000Lux	1,300Lux
		TLC 160Lux	370Lux	580Lux	750Lux	1,050Lux
	AC	(Blank) 210Lux	470Lux	740Lux	950Lux	1,100Lux
		TLC 150Lux	310Lux	510Lux	730Lux	910Lux

Specifications

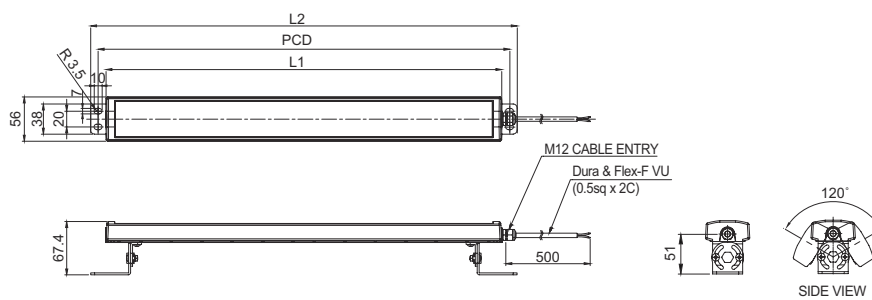
Model	QMFLN-200	QMFLN-300	QMFLN-400	QMFLN-500	QMFLN-600	
Voltage	DC24V	DC24V	DC24V	DC24V	DC24V	
	AC110V/220V	AC110V/220V	AC110V/220V	AC110V/220V	AC110V/220V	
Range for operation voltage	DC24V	DC22V-30V				
	AC110V	AC98-121V				
	AC220V	AC198-245V				
Power consumption	DC	5.6W	12.5W	20W	20W	25W
	AC	6.6W	14.5W	23.5W	23.5W	27W
Insulation resistance	Min. 100MΩ(500V DC mega ohm meter)					
Withstanding voltage	500V AC, 60Hz, 1 minute					
Operation temperature	-30°C to +60°C					
Protection rating	IP67/ IP69K					
Materials	Housing: Al, Lens : Tempered glass, Bracket : Spc-1					
Certificates	CE UL DC24V Only					
Weight (Approx.)	0.57kg	0.80kg	1.03kg	1.26kg	1.49kg	



Technical Diagram

(Units : mm)

QMFLN-200/ 300/ 400/ 500/ 600



MODEL	L1	PCD	L2
QMFLN - 200	190	210	230
QMFLN - 300	290	310	330
QMFLN - 400	400	420	440
QMFLN - 500	500	520	540
QMFLN - 600	600	620	640

※ External power line - Dura & Flex-F VU(0.5sq) x 2C 450mm



Ordering Specification

QMFLN	-	200	-	24	-	TLC
[Model number]		[Product length]		[Voltage]		[Lens type]
• QMFLN		• 200 : 190mm • 300 : 290mm • 400 : 400mm • 500 : 500mm • 600 : 600mm		• 24-DC24V • 110-AC110V • 220-AC220V		• (Blank) - Transparent lens • TLC - Translucent lens