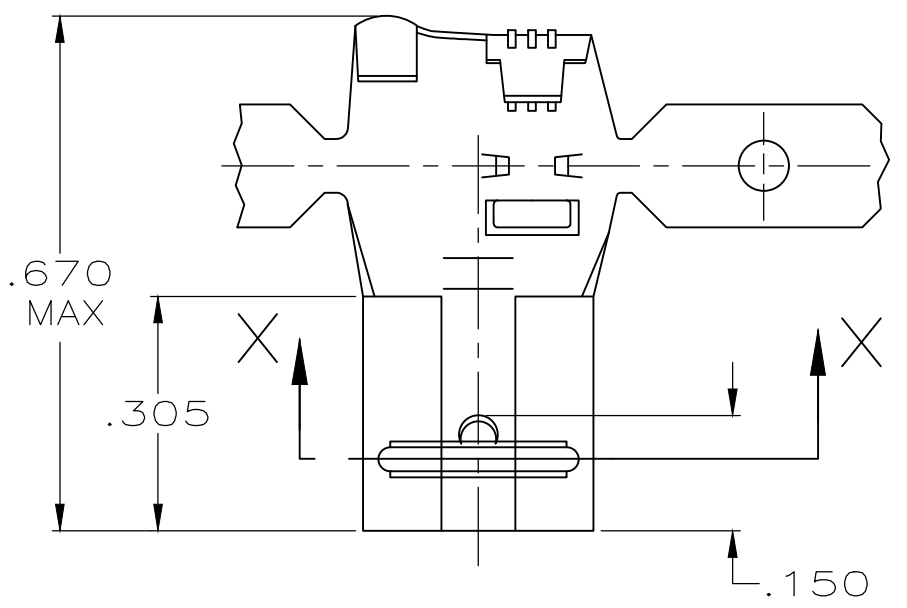
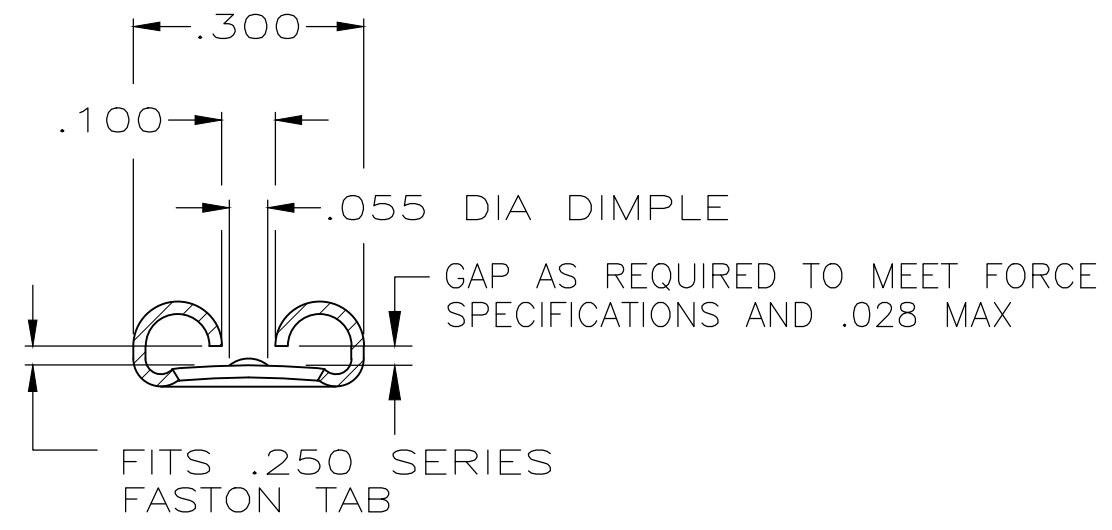


THIS DRAWING IS UNPUBLISHED. RELEASED FOR PUBLICATION
 © COPYRIGHT - By - ALL RIGHTS RESERVED.

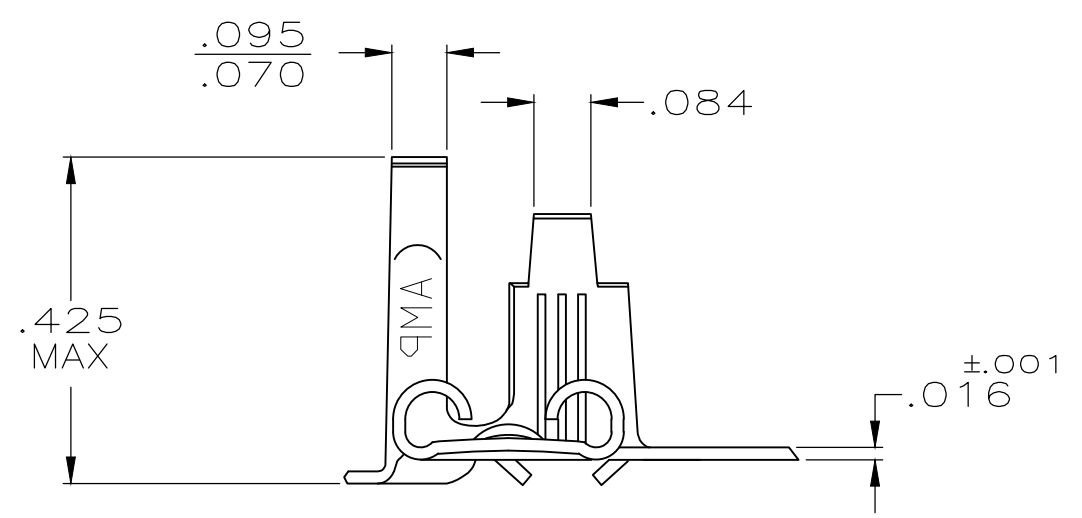
LOC	DIST	REVISIONS			
P	LTR	DESCRIPTION	DATE	DWN	APVD
AF	50	S1	REVISED PER ECR-20-009164	11AUG2020	MK DH



- 1 CONTINUOUS STRIP ON REELS.
- 2 FEED IS $.760 \pm .005$.



SECTION X-X



FINISH	INSULATION RANGE	WIRE SIZE	MATING TAB THK	PART NO
TIN	.110-.210	18-12 AWG	.033-.030	42511-2
-	.110-.210	18-12 AWG	.033-.030	42511-1

THIS DRAWING IS A CONTROLLED DOCUMENT.		DWN JR RUTH 1/24/91	STE TE Connectivity		
DIMENSIONS: INCHES		CHK P FORTNEY 1/24/91			
TOLERANCES UNLESS OTHERWISE SPECIFIED:		APVD C MEYERS 1/24/91	NAME RECEPTACLE, FASTON, FLAG, .250 SERIES		
0 PLC ± -		PRODUCT SPEC	SIZE		
1 PLC ± -		APPLICATION SPEC	CAGE CODE		
2 PLC ± -		WEIGHT	DRAWING NO		
3 PLC ± .015		MATERIAL BRASS	RESTRICTED TO		
4 PLC ± -			A300779 C-42511		
ANGLES ± -		CUSTOMER DRAWING		SCALE 4:1	SHEET 1 OF 1
FINISH SEE TABLE		REV S1			