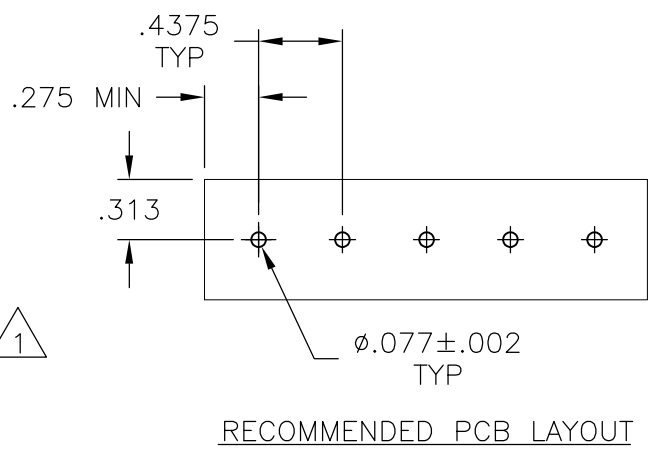
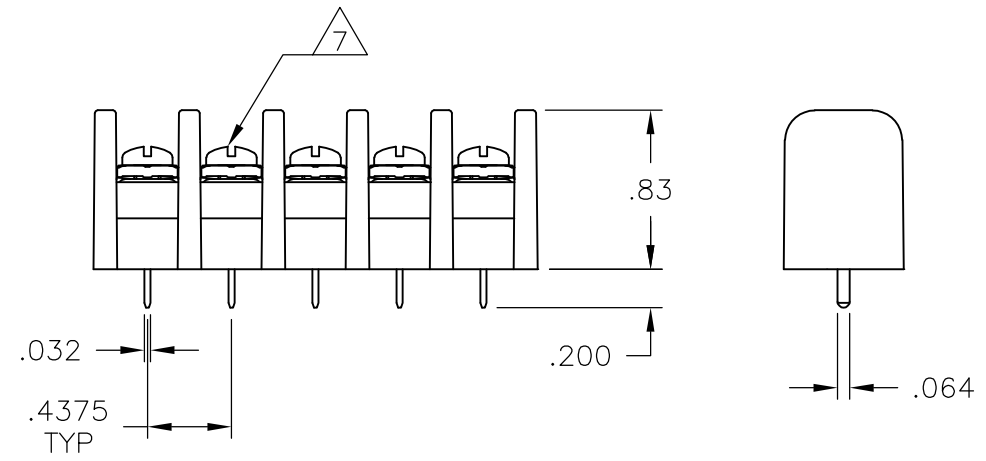
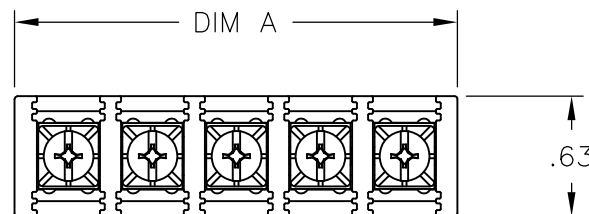


THIS DRAWING IS UNPUBLISHED. RELEASED FOR PUBLICATION  
 © COPYRIGHT - By - ALL RIGHTS RESERVED.

LOC	DIST	REVISIONS					
FT	0	P	LTR	DESCRIPTION	DATE	DWN	APVD
		R		REVISED PER ECO-11-023039	20FEB12	KH	MS



**MATERIAL:**  
 HOUSING: THERMOPLASTIC, UL94V-2, BLACK.  
 TERMINAL: BRASS, PLATED BRIGHT TIN OVER NICKEL.  
 SCREWS: 6-32, STEEL, ZINC AND CHROMATE PLATED <sup>1</sup>  
 OR  
 NICKEL OVER COPPER PLATED <sup>2</sup>

**ELECTRICAL:**  
 MAXIMUM CURRENT: 20A.  
 OPERATING VOLTAGE: 600V.  
 WIRE RANGE: 12 AWG MAX.  
**ENVIRONMENT:**  
 OPERATING TEMP.: -60°C TO +105°C.

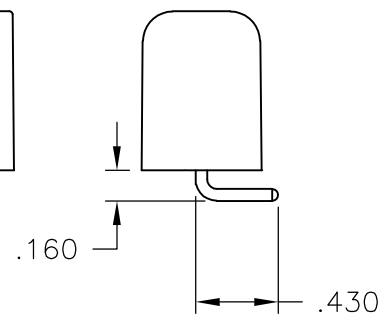
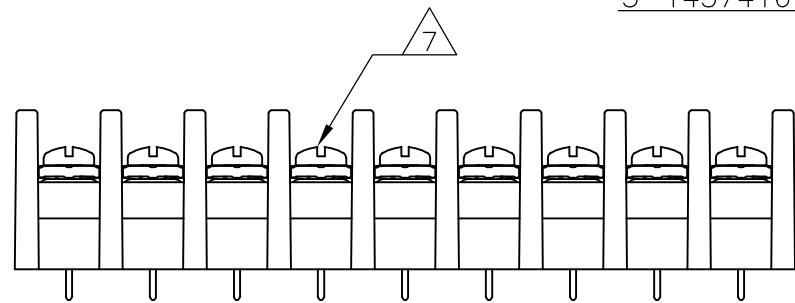
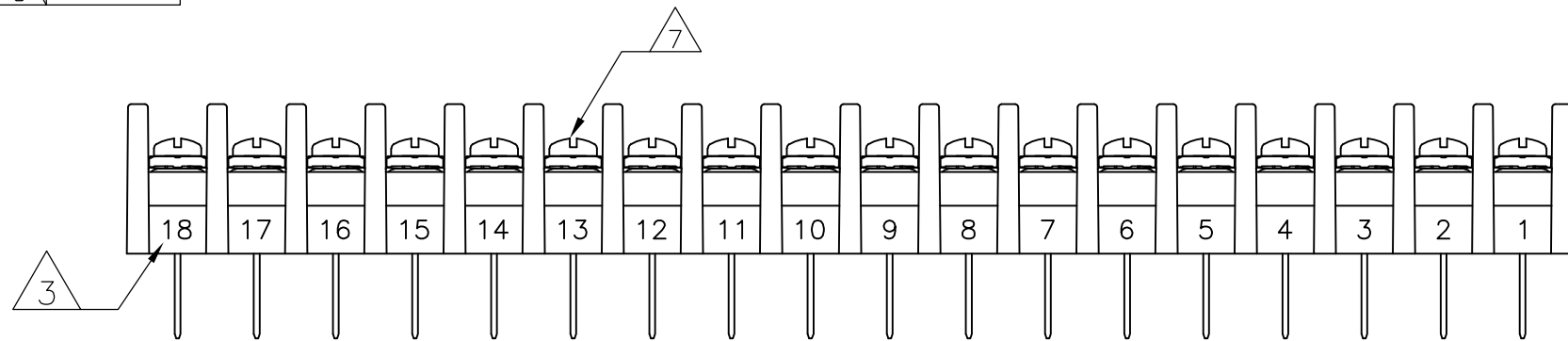
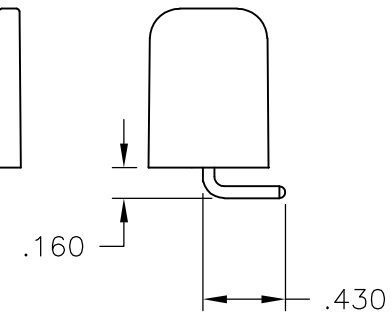
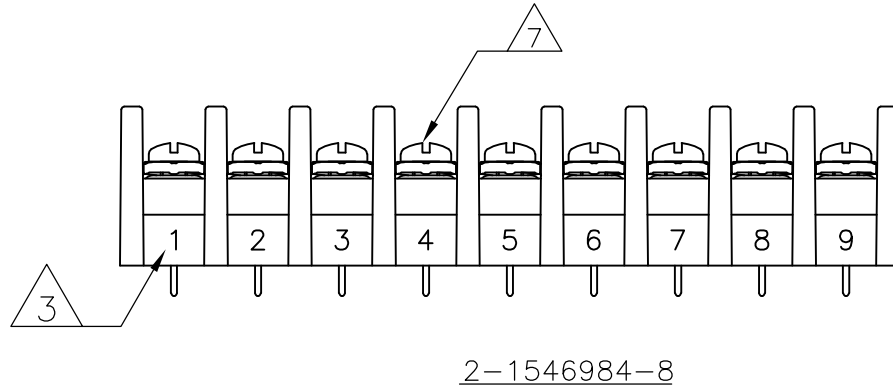
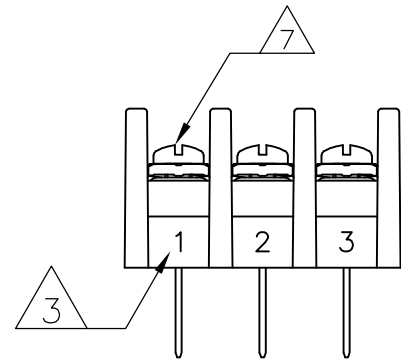
- <sup>3</sup> WHITE INK MARKING, APPROX. AS SHOWN. (SEE PAGE 2)
- <sup>4</sup> PRELIMINARY PART NUMBER.
- <sup>5</sup> OBSOLETE PARTS: OBSOLETE CIS STREAMLINING PER D.RENAUD/D.SINISI
- <sup>6</sup> SPECIAL MARKING SEE DETAIL.
- <sup>7</sup> ALL SCREWS BOTTOMED, TORQUE 2 TO 4 IN-LBS

REV	DATE	DESCRIPTION	DATE	DWN	APVD	
1	11.937	27	SSB7FP270202	2-1546984-7		
1	11.500	26	SSB7FP260202	5-1437416-4		
1	11.062	25	SSB7FP250202	5-1437416-3		
1	10.625	24	SSB7FP240202	2-1546984-4		
1	10.187	23	SSB7FP230202	2-1546984-3		
1	9.750	22	SSB7FP220202	2-1546984-2		
1	9.312	21	SSB7FP210202	2-1546984-1		
1	8.875	20	SSB7FP200202	5-1437416-2		
1	8.437	19	SSB7FP190202	1-1546984-9		
1	8.000	18	SSB7FP18020212	5-1437416-1		
1	8.000	18	SSB7FP180202	1-1546984-8		
1	7.562	17	SSB7FP170202	5-1437416-0		
1	7.125	16	SSB7FP160202	1-1546984-6		
1	6.687	15	SSB7FP150202	4-1437416-7		
1	6.250	14	SSB7FP140202	3-796602-3		
1	5.812	13	SSB7FP130202	1-1546984-3		
1	5.375	12	SSB7FP120202	4-1437416-1		
1	4.937	11	SSB7FP110202	1-1546561-2		
1	4.500	10	SSB7FP100202	3-1437416-5		
4	4.062	9	SSB7FP091402	2-1546984-9		
6	4.062	9	SSB7FP09140211	2-1546984-8		
1	4.062	9	SSB7FP090202	3-1437416-2		
1	3.625	8	SSB7FP080202	2-1437416-8		
1	3.187	7	SSB7FP070202	3-796602-2		
1	2.750	6	SSB7FP060202	2-1437416-2		
1	2.312	5	SSB7FP050202	1-1437416-7		
1	1.875	4	SSB7FP040202	1-1437416-2		
2	1.437	3	SSB7FP0320911	3-1546561-9		
1	1.437	3	SSB7FP03020211	1546561-6		
1	1.437	3	SSB7FP030202	1437416-8		
1	1.000	2	SSB7FP020202	1437416-4		
			DIM A	NO. OF POS.	CATALOG NUMBER	PART NUMBER

THIS DRAWING IS A CONTROLLED DOCUMENT.		DWN S SCHL GEL 16FEB04	<b>STE</b> TE Connectivity		
DIMENSIONS: INCHES		CHK S YODER 2/16/04			
TOLERANCES UNLESS OTHERWISE SPECIFIED:		APVD S YODER 2/16/04	NAME		
0 PLC ± -		PRODUCT SPEC	SSB7 ASSEMBLY		
1 PLC ± -		APPLICATION SPEC	RESTRICTED TO		
2 PLC ± .02		WEIGHT -	SIZE A3	CAGE CODE 00779	DRAWING NO C-3-796602-2
3 PLC ± .010		CUSTOMER DRAWING	SCALE NTS	SHEET 1 OF 2	REV R
4 PLC ± -					
ANGLES ± 1°					
FINISH -					

THIS DRAWING IS UNPUBLISHED. RELEASED FOR PUBLICATION  
 © COPYRIGHT - By - ALL RIGHTS RESERVED.

LOC FT	DIST 0	REVISIONS			
P	LTR	DESCRIPTION	DATE	DWN	APVD
-	-	SEE SHEET 1	-	-	-



THIS DRAWING IS A CONTROLLED DOCUMENT.		DWN S SCHLGEL	16FEB04	<b>STE</b> TE Connectivity	
DIMENSIONS: INCHES		CHK S YODER	2/16/04		
TOLERANCES UNLESS OTHERWISE SPECIFIED:		APVD S YODER	2/16/04	NAME	
0 PLC ± -		PRODUCT SPEC		SSB7 ASSEMBLY	
1 PLC ± -		APPLICATION SPEC		RESTRICTED TO	
2 PLC ± .02		WEIGHT		SIZE	CAGE CODE
3 PLC ± .010		-		A3	00779
4 PLC ± -		CUSTOMER DRAWING		DRAWING NO	
ANGLES ± 1°		SCALE		G-3-796602-2	
FINISH		SHEET		2 OF 2	
-		REV		R	