

**Specifications**

**Material**

Insulator: LCP, E130i, UL 94V-0, Black  
 Contact: Copper Alloy, C18400-H, T=0.12mm  
 Shell: Stainless steel, SUS304-1/2H, T=0.30mm  
 Mid Plate: Stainless Steel, SUS301-3/4H, T=0.15mm

**Plating**

Terminal:  
 Contact Area: See Ordering Grid  
 Solder Tails: Gold Flash  
 Underplating: 50µ" Min. Nickel Over All  
 Shell: 30µ" Min. Nickel  
 Mid Plate: Cleaning

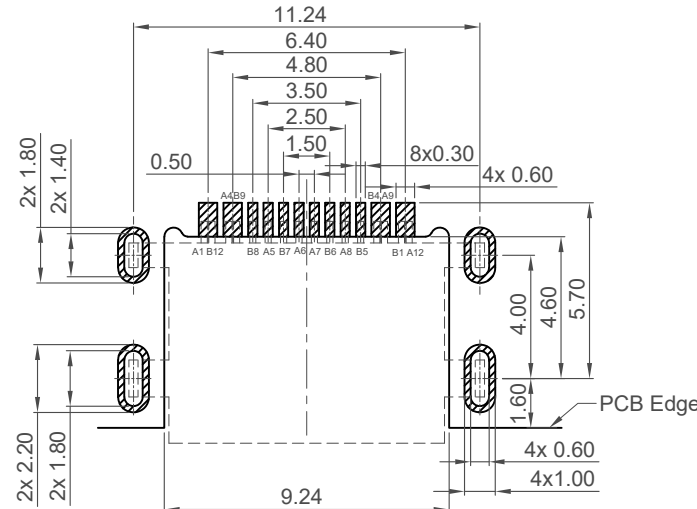
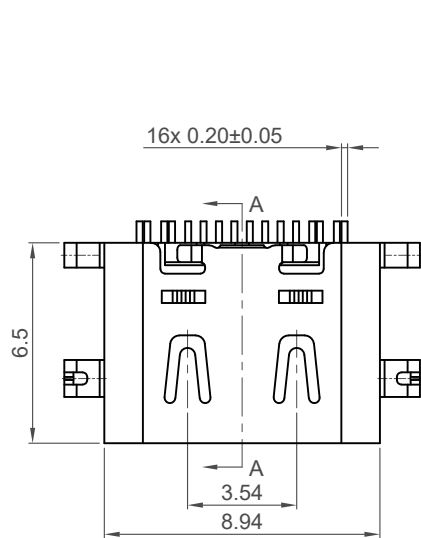
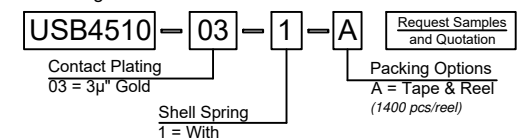
**Electrical**

Current Rating: 5.00A collectively for Vbus pins  
 6.25A collectively for GND pins  
 1.25A for A5/B5 pin  
 0.25A per pin for all other pins  
 Voltage Rating: 48V DC  
 Power Rating: 240W  
 Contact Resistance: 40mΩ max initial.  
 50mΩ max after test  
 Dielectric Withstanding Voltage: 100V AC  
 Insulation Resistance 100MΩ min

**Mechanical & Environmental**

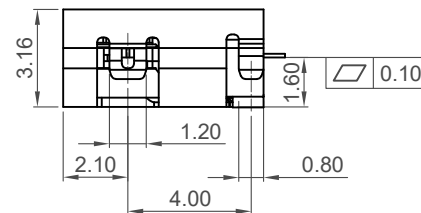
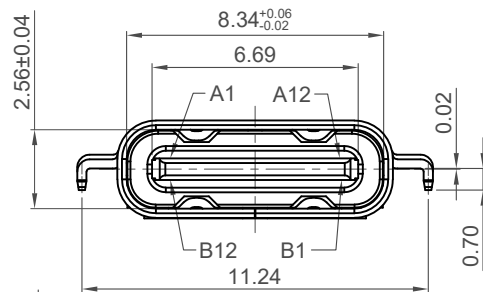
Operating Temperature: -25°C to +85°C  
 Mating Force: 5 to 20 N.  
 Unmated Force: 6 to 20 N after test  
 Durability: 10,000 cycles

**Ordering Grid**

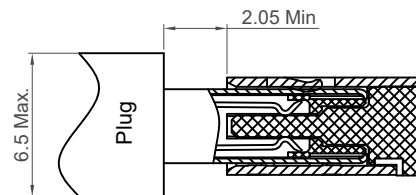
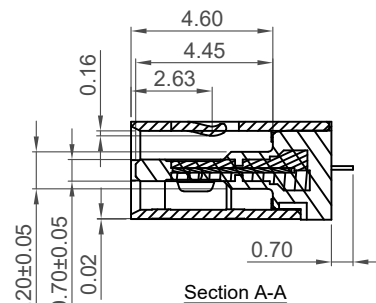
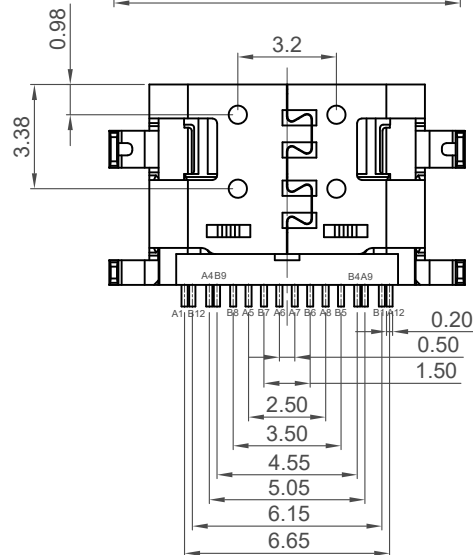


**Recommended PCB Layout**

Thickness=0.80mm  
 As viewed from component side Tolerance:±0.05mm  
 Solder Area Component Outline



Pin	Signal	Mating Sequence	Pin	Signal	Mating Sequence
A1	GND	First	B12	GND	First
A4	Vbus	First	B9	Vbus	First
A5	CC1	Second	B8	SBU2	Second
A6	Dp1	Second	B7	Dn2	Second
A7	Dn1	Second	B6	Dp2	Second
A8	SBU1	Second	B5	CC2	Second
A9	Vbus	First	B4	Vbus	First
A12	GND	First	B1	GND	First
SHELL	GND		SHELL	GND	

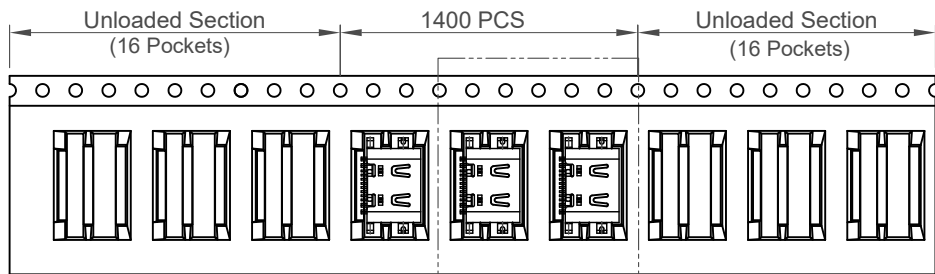


**Plug and Receptacle Mating View**

Part Number		Product Description			
USB4510		USB Type C Receptacle for USB 2.0, SMT Type, Mid Mount, 1.6mm Offset			
Drawing Date		1st July 2021			
By	CC	Tolerances (Except as Noted)	Units:	 This drawing is confidential and copyright of Global Connector Technology, Ltd (GCT). This drawing must not be copied or disclosed without written consent. E & OE	
Detail	Drawing Release	Length	Angle		
Revision	A1	X.X ± 0.30	-		
Date	08/05/23	X.XX ± 0.20	X.XXX ± 0.10		



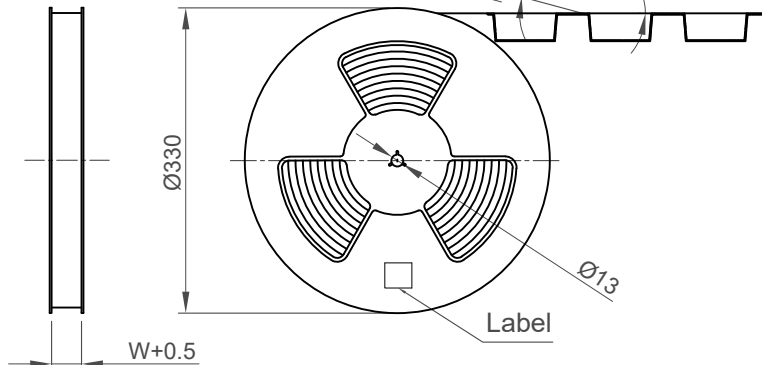
Not to Scale	Drawn By CC	Sheet No. 1/2
--------------	-------------	---------------



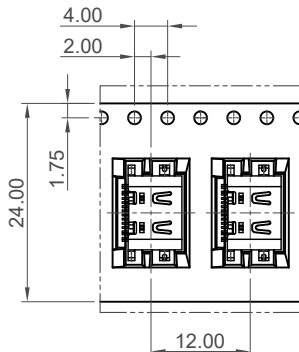
Direction of Unreeling

Detail E

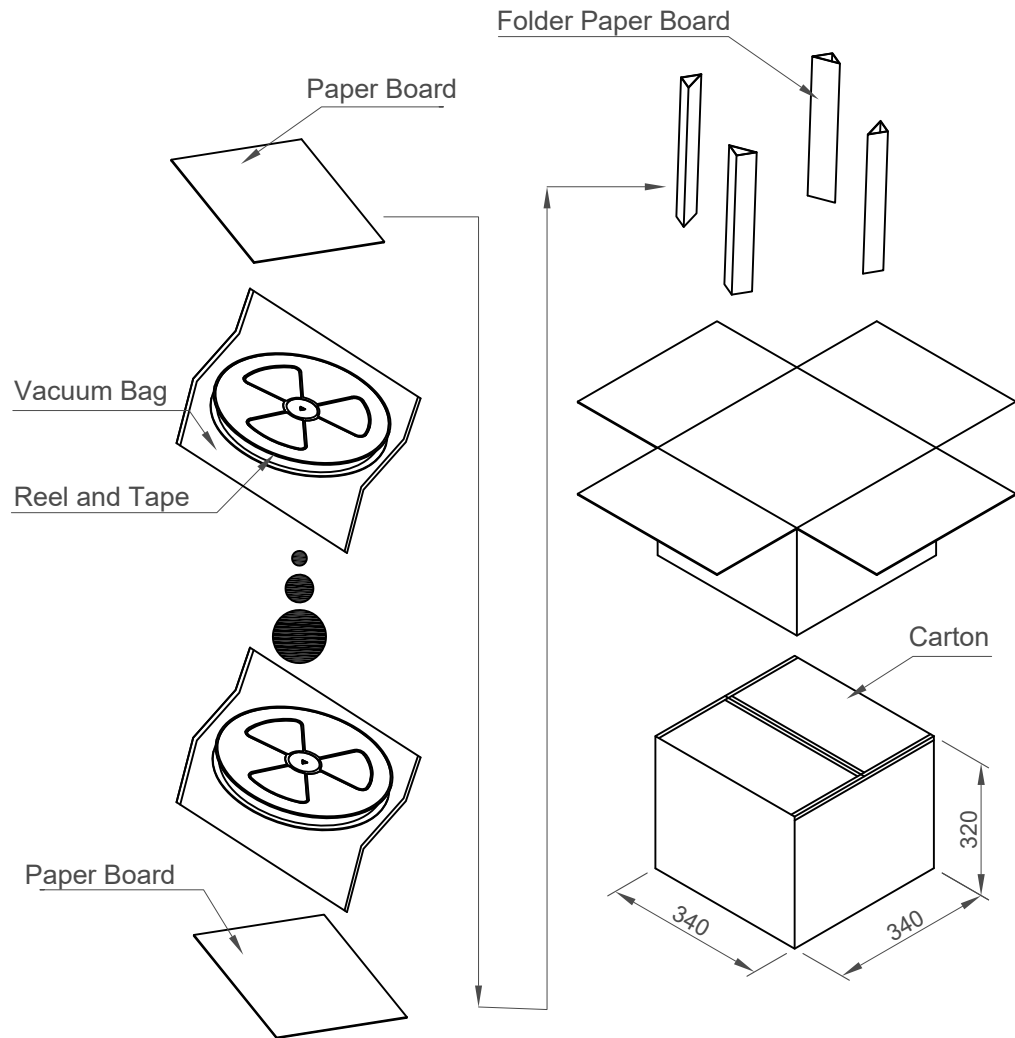
Peeling Angle 165°~180°



Direction of Unreeling



Detail: E



Pcs / Reel	Reels / Carton	Total Quantity
1400	10	14000 pcs

Part Number		Product Description	
USB4510		USB Type C Receptacle for USB 2.0, SMT Type, Mid Mount, 1.6mm Offset	
Drawing Date		1st July 2021	
By	CC	Tolerances (Except as Noted)	Units:
Detail	Drawing Release	Length	Metric (mm)
Revision	A1	Angle	
Date	08/05/23		



This drawing is confidential and copyright of Global Connector Technology, Ltd (GCT). This drawing must not be copied or disclosed without written consent. E & OE



Not to Scale      Drawn By CC      Sheet No. 2/2