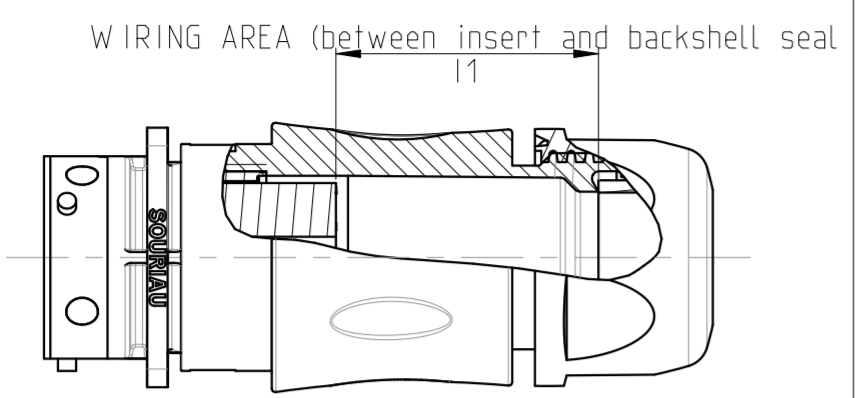


A.3: Validé

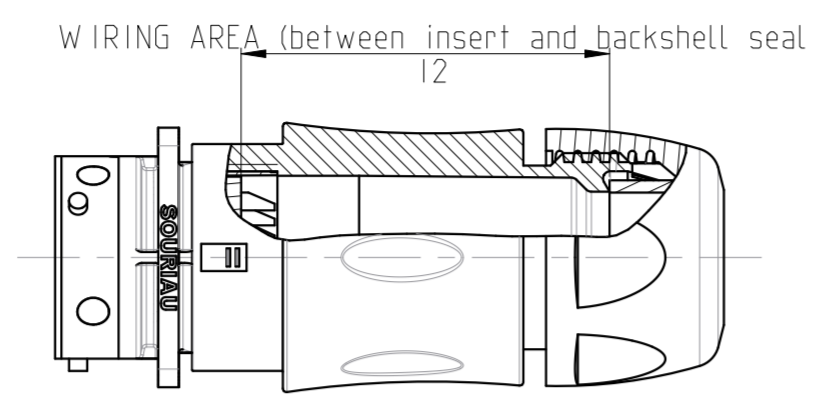
SIDE VIEW FOR EACH VERSION

PANEL CUT OUT DEFINITION

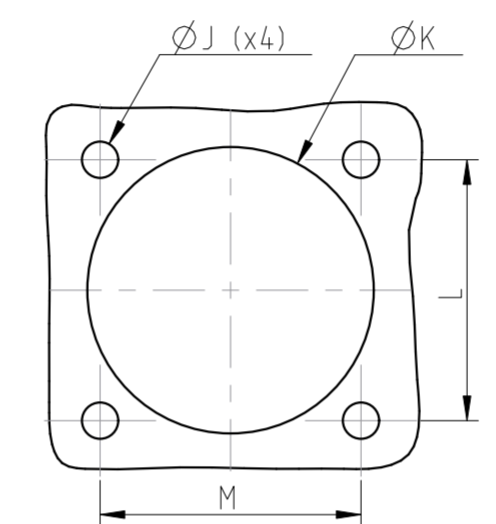
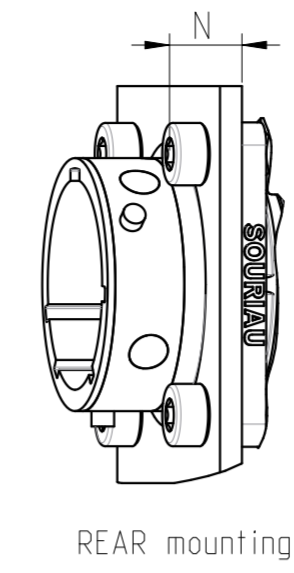
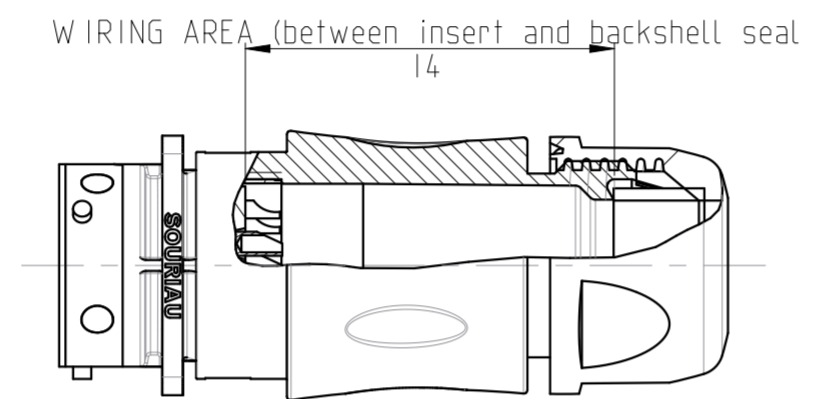
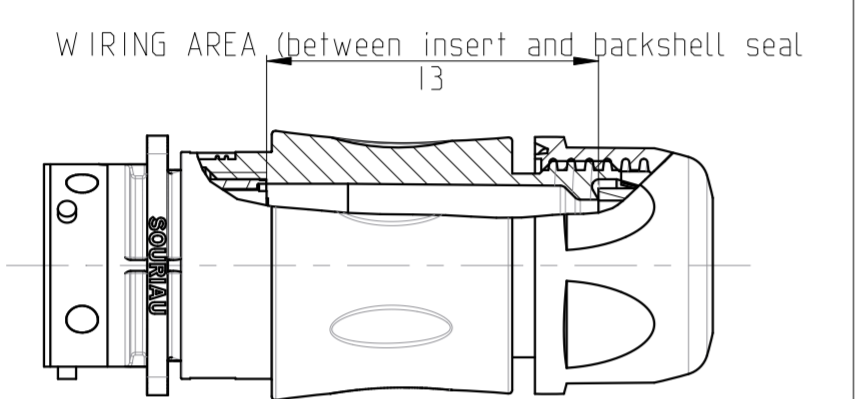
UTGX0JC-----P



UTGX0JC--E---



UTGX0JC-----S



MATERIAL :

- SHELL : PA UL94 V0, UL746C F1 Black color
- 3 LOCKING PINS RING : Nickel plated Brass + stainless steel.
- BACKSHELLS : PA UL94 V0 F1 Black color
- BACKSHELL Seal : CR
- INSERT (UTGX0JC-----) : PA UL94 V0, UL746C F1 Black color
- INSERT (UTGX0JC--/E---) : Polychloroprene
- CONTACTS: brass + coated depending on P/N

PERFORMANCE CHARACTERISTICS :

Operating temperature: -40°C up to 105°C
 Insulation resistance: 5000 MΩmin under 500V
 Corrosion salt spray: 500 hours
 Durability: 500 matings and unmatings
 Sealing conditions: SEE TABLE

NOTA:

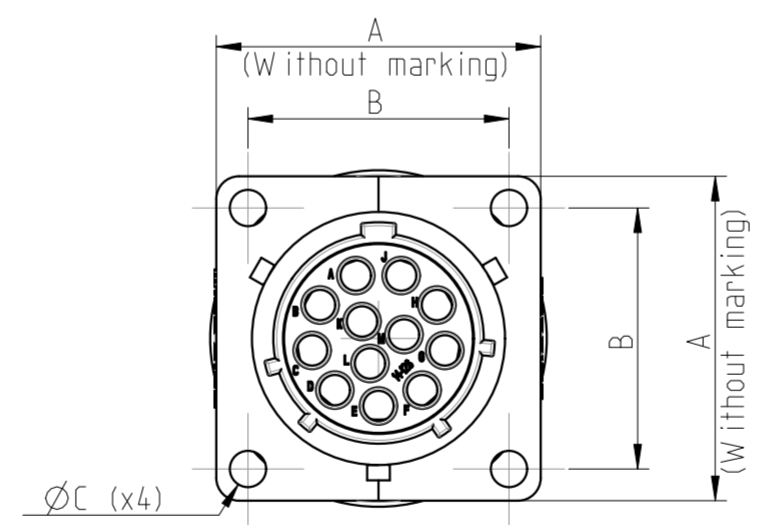
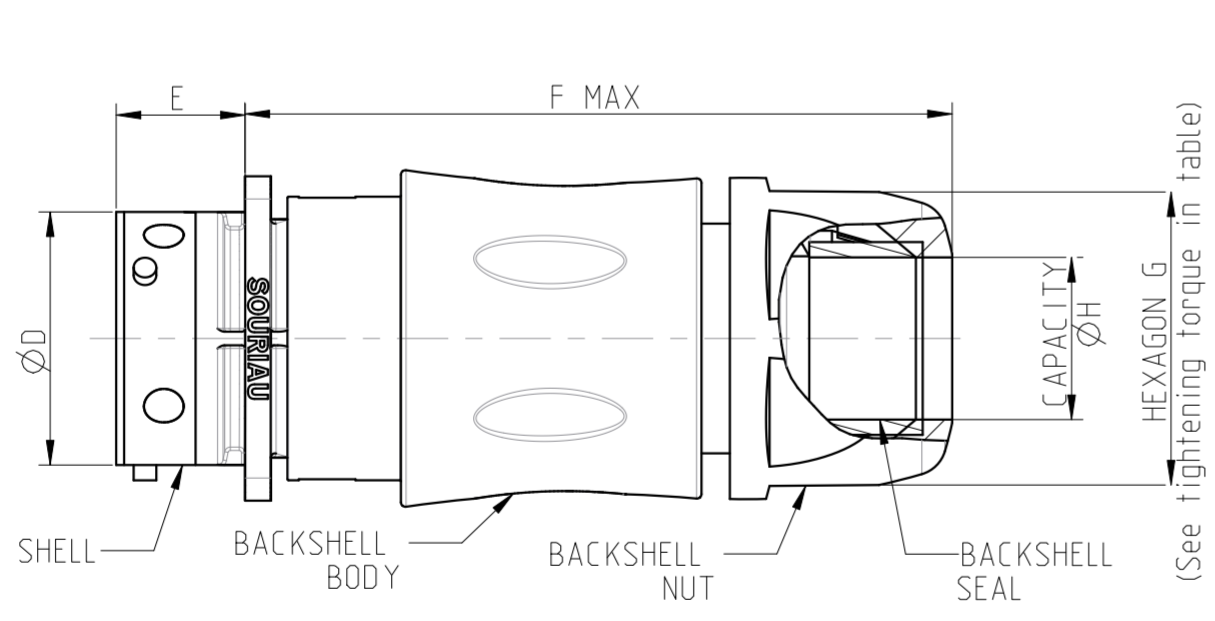
- Contact to be ordered separately for version UTGX0JC----- : refer to corresponding catalogue.
- Insert arrangement refer to:
 UTO-CONTACT-L-C02 (Female insulator)
 UTO-DHP-003-C01 (Female insulator #20)
 UTO-DHP-002-C01 (Female insulator #16)
 UTO-CONTACT-L-C01 (Male insulator)
 UTO-DHP-003-C01 (Male insulator #20)
 UTO-DHP-001-C01 (Male insulator #16)
 C144-UTS1-A (HiSeal Version)

SEALING CONDITIONS

Sealing in MATED conditions with COUNTERPART:
 -IP68 1 bar during 1 week: immersion under 10 m of water. (IEC 60529)
 -IP69K : exposure to high pressure water of cleaning equipment(DIN 40050)

Sealing in MATED conditions with COUNTERPART and UNMATED conditions:
 -IP68 1 bar during 1 week: immersion under 10 m of water. (IEC 60529)
 -IP69K : exposure to high pressure water of cleaning equipment(DIN 40050)

COMMON DIMENSIONS FOR ALL VERSION



SHELL SIZE	PANEL CUT OUT DEFINITION				PANEL THICKNESS
	±0.1	REAR mounting	±0.15		
	ØJ	ØK	L	M	MAX
10		17.9	18.3	18.3	2.8
12	3.2	22.3	20.6	20.6	
14		25.1	23.0	23.0	

Country	Jurisdiction & Control List
FR	NOT LISTED

SOURIAU shall not be liable for any non-conformity or damage due to a use of the Products which does not comply with the Specifications issued by either of the Parties or by a third party (professional recommendation, technical notice.)

P/N : CROSS REF TABLE

BASIC SERIES	UTGX 0 JC 14 E 19 P	* P/N for example
SHELL TYPE	0 Square flange receptacle	
BACKSHELL	JC	Normal (no digit) W.X.Y.Z
SHELL SIZE	10 12 14	TYPE OF CONTACTS P: MALE S: FEMALE
TYPE OF LAYOUT	Standard Layout (No digit) E : HISEAL Handsolder contacts	INSERT ARRANGEMENT See NOTA 2

SHELL SIZE	±0.4	±0.2	±0.1	±0.2	±0.2	MAX	HEXAGON backshell nut	STANDARD	REDUCING SEAL (NOTA.3)	MINI				±30% (g.)	
	A	B	ØC	ØD	E	F	G	Tightening torque (N.m)	ØH	I1	I2	I3	I4	MASS	
10	23.8	18.26	3.2	15.2	11.35	67	18.5	1	2.5 / 8	1.5 / 5	20.5	32	28	32	15
12	26.2	20.62		19.15		70	24	2	5 / 12	3 / 9	24	36	32	36	25
14	28.6	23.01		22.31		76	26	2.5	7 / 14	5 / 12	28	39.5	36	39.5	35

A	22/09/2020	-New drawing	
ISS	DATE	Latest modification - by:	MOD N°
Designed by:		J.FEURPRIER Date:22/09/2020	CUSTOMER DRAWING
TITLE SQUARE FLANGE RECEPTACLE WITH BACKSHELL - SIZE 10 12 14 - Std and Hiseal version UTGX CONNECTOR			
Scale	3/2	Dimensions in mm General Linear Tolerances: ±0.2	NPRDS / PROJECT GBB
		www.souriau.com	This document is the property of SOURIAU It must not be reproduced or communicated without permission
FORMAT	A2	SOURIAU DRG N° UTGX-0011A-C	
			SHEET 1 / 1