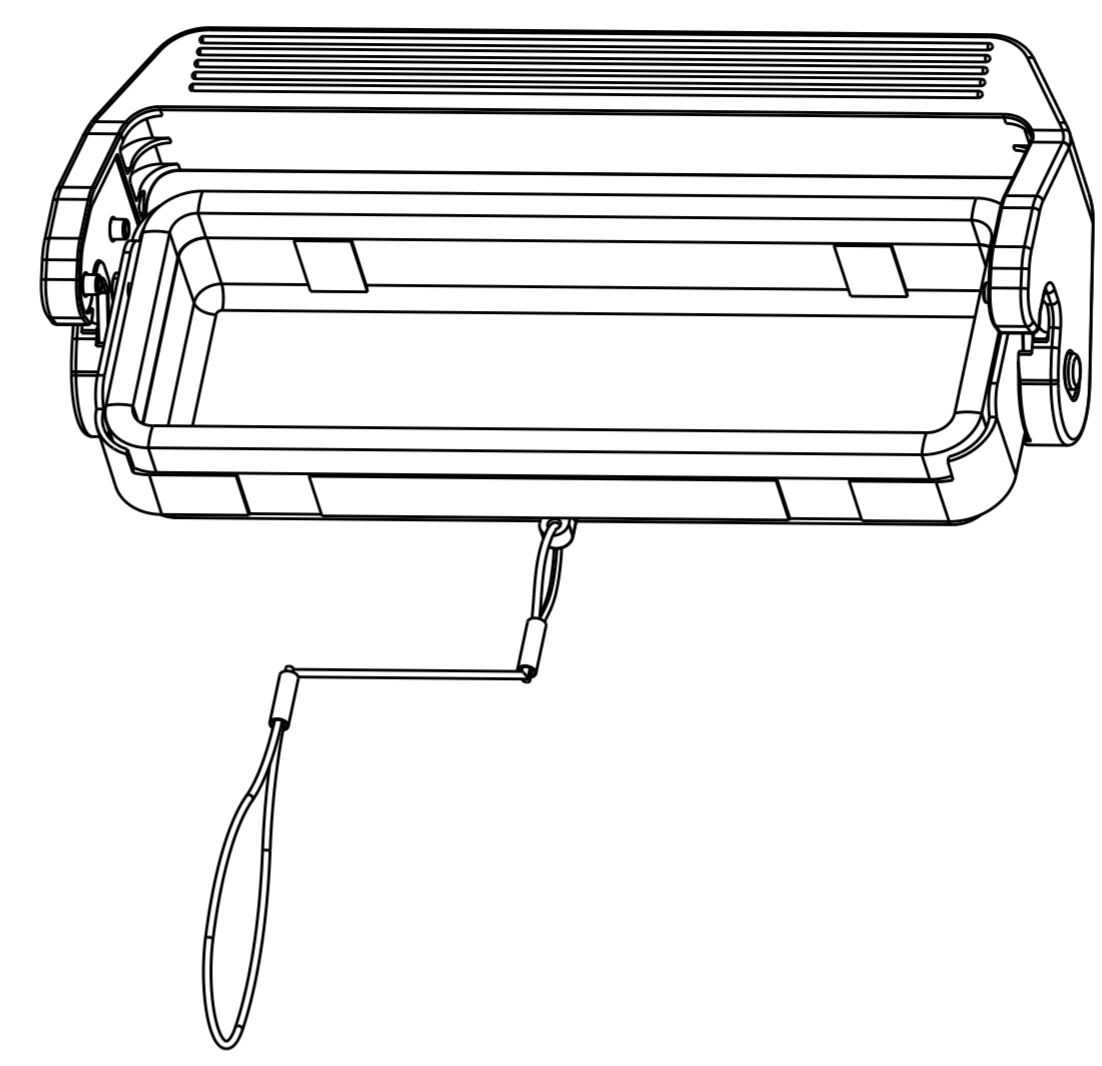
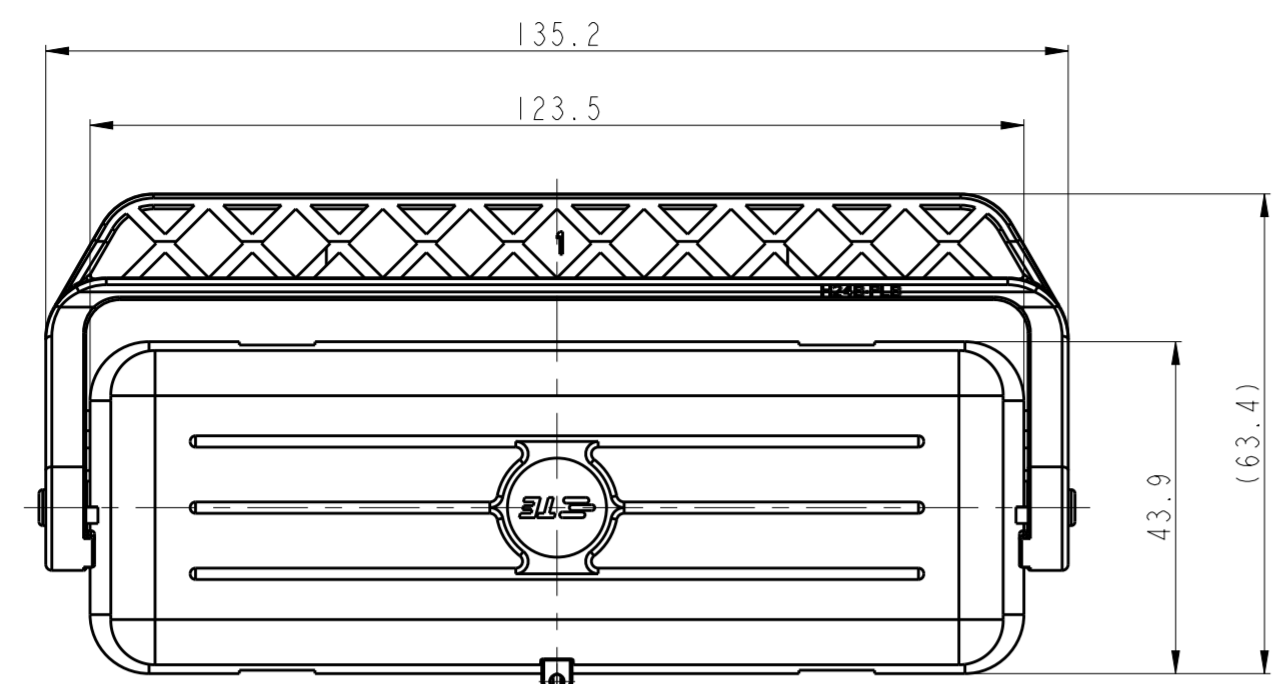


THIS DRAWING IS UNPUBLISHED. RELEASED FOR PUBLICATION
 © COPYRIGHT copyright.d8Te ALL RIGHTS RESERVED.

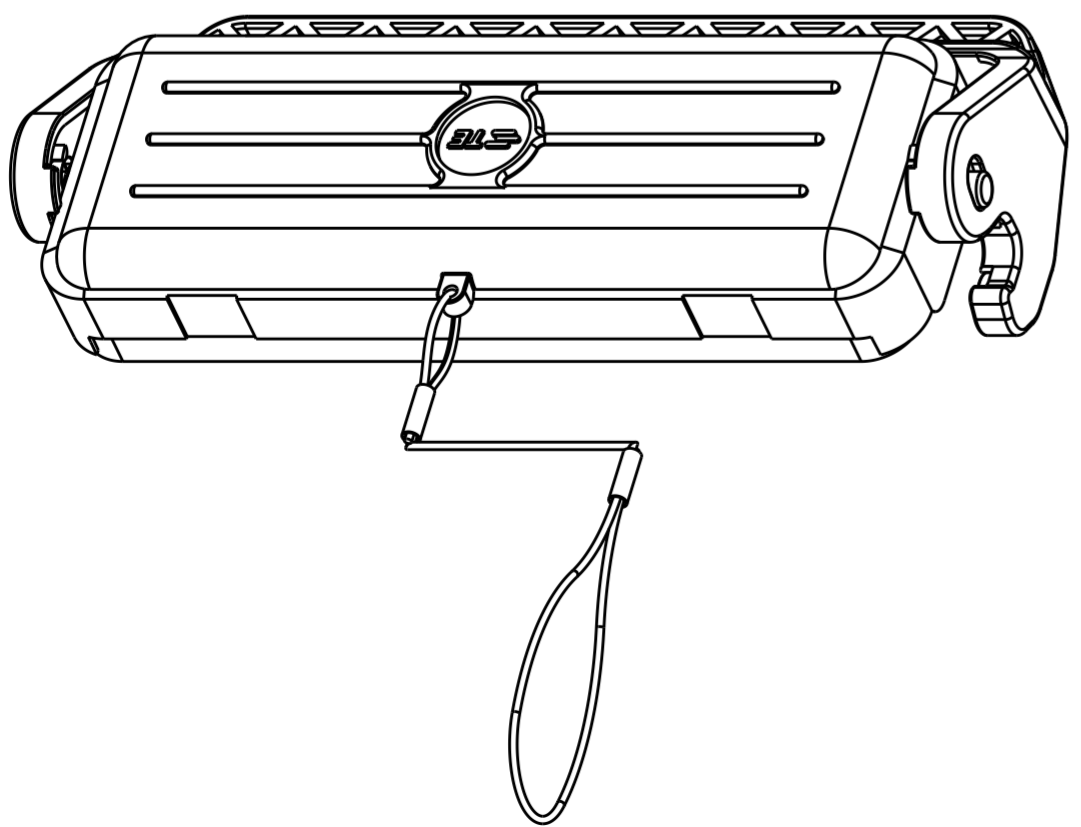
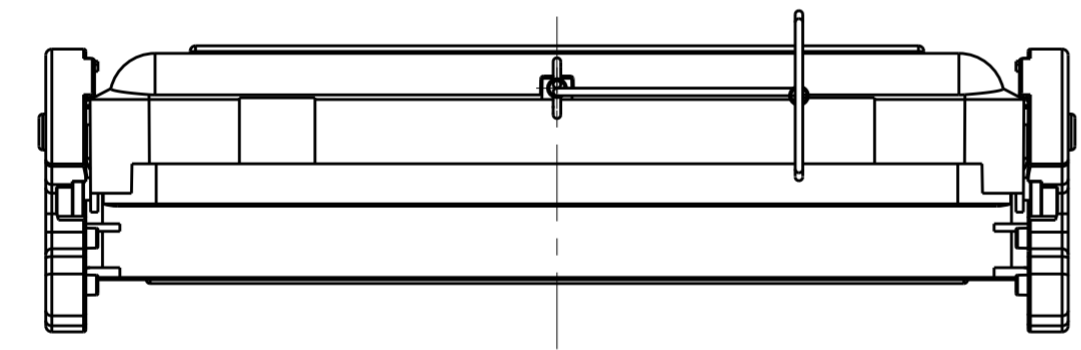
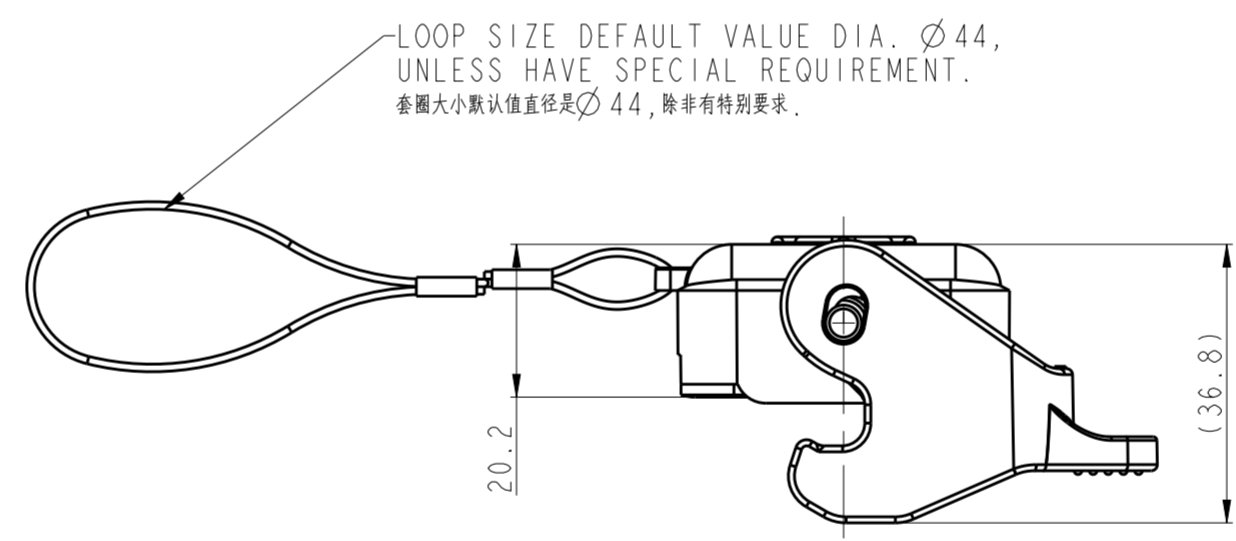
REVISIONS				
P	LTR	DESCRIPTION	DATE	APVD
	A	INITIAL	22JUN2017	CH CW



NOTES:
 1. TECHNICAL CHARACTERISTICS:
 COVER MATERIAL: PC, GREY
 PLASTIC SINGLE LOCKING MATERIAL: NYLON, GREY
 SEALING MATERIAL: NBR, BLACK

注释:
 1. 技术参数:
 保护盖材质: PC, 灰色
 塑料单扣材质: 尼龙, 灰色
 密封材质: NBR, 黑色

TRANSPARENT NYLON ROPE:
 TOTAL LENGTH 380mm,
 DIA. Ø1.0mm
 透明尼龙绳: 总长380mm, 直径Ø1.0mm



T1010241500-000	H24B-KDTP-LB	H24B HOOD PLASTIC PROTECTION COVER, PLASTIC SINGLE LOCKING, SEALING, NYLON ROPE, GREY H24B上壳塑料保护盖, 塑料单扣, 带密封, 尼龙绳, 灰色
PART NUMBER 料号	PART DESCRIPTION 描述	

THIS DRAWING IS A CONTROLLED DOCUMENT.		DWN CHARLIE.HU 22JUN2017	TE Connectivity	
DIMENSIONS: mm		CHK GINO.YAO 22JUN2017		
TOLERANCES UNLESS OTHERWISE SPECIFIED:		APVD CHRIS.WANG 22JUN2017	NAME H24B-KDTP-LB	
		PRODUCT SPEC	SIZE A2	
MATERIAL		APPLICATION SPEC	CAGE CODE	DRAWING NO
-		WEIGHT	-	G-T1010241500000
-		CUSTOMER DRAWING	SCALE 1:1	SHEET 1 OF 1
		RESTRICTED TO	REV A	