

61173-5 ✓ ACTIVE

MATE-N-LOK | Commercial MATE-N-LOK

TE Internal #: 61173-5

Power Contacts, Contact, 250 VAC, Gold, 30 – 22 AWG Wire Size, .05 – .33 mm² Wire Size, Wire & Cable, Crimp, Power, Socket, Commercial MATE-N-LOK

[View on TE.com >](#)



Connectors > Power Connectors > Power Contacts



Power Contact Type: **Contact**

Operating Voltage: **250 VAC**

Contact Mating Area Plating Material: **Gold**

Wire Size: **.05 – .33 mm²**

Features

Product Type Features

Compatible With Discrete Wire Type	Stranded
Power Contact Type	Contact
Connector & Contact Terminates To	Wire & Cable

Electrical Characteristics

Operating Voltage	250 VAC
-------------------	---------

Contact Features

Contact Shape & Form	Round
Barrel Type	Open
Contact Mating Area Plating Material	Gold
Contact Current Rating (Max)	15 A
Contact Type	Socket
Contact Retention Within Housing	With
Mating Pin Diameter	2.03 mm[.08 in]
Contact Base Material	Brass
Contact Mating Area Plating Material Thickness	.76 μm[30 μin]

Wire Contact Termination Area Plating Thickness	1.27 µm[50 µin]
Wire Contact Termination Area Plating Material	Nickel
Contact Orientation	Straight
Contact Underplating Material	Nickel
Contact Underplating Material Thickness	1.27 µm[50 µin]

Termination Features

Termination Method to Wire & Cable	Crimp
------------------------------------	-------

Mechanical Attachment

Contact Retention Type Within Housing	Locking Lance
Wire Insulation Support	Without

Dimensions

Wire Size	.05 – .33 mm ²
Compatible Insulation Diameter Range	1.02 – 1.91 mm[.04 – .075 in]

Usage Conditions

Operating Temperature Range	-55 – 105 °C[-67 – 221 °F]
-----------------------------	----------------------------

Operation/Application

Circuit Application	Power
---------------------	-------

Industry Standards

CSA Rating	Certified, LR 7189A
UL Rating	Recognized
Agency/Standard	CSA, UL
UL Flammability Rating	UL 94V-2

Packaging Features

Packaging Quantity	1000
Packaging Method	Bag

Product Compliance

[For compliance documentation, visit the product page on TE.com>](#)

EU RoHS Directive 2011/65/EU	Compliant
EU ELV Directive 2000/53/EC	Compliant
China RoHS 2 Directive MIIT Order No 32, 2016	No Restricted Materials Above Threshold



EU REACH Regulation (EC) No. 1907/2006

Current ECHA Candidate List: JUNE 2023 (235)

Candidate List Declared Against: JUNE 2023 (235)

Does not contain REACH SVHC

Halogen Content

Low Halogen - Br, Cl, F, I < 900 ppm per homogenous material. Also BFR/CFR/PVC Free

Solder Process Capability

Not applicable for solder process capability

Product Compliance Disclaimer

This information is provided based on reasonable inquiry of our suppliers and represents our current actual knowledge based on the information they provided. This information is subject to change. The part numbers that TE has identified as EU RoHS compliant have a maximum concentration of 0.1% by weight in homogenous materials for lead, hexavalent chromium, mercury, PBB, PBDE, DBP, BBP, DEHP, DIBP, and 0.01% for cadmium, or qualify for an exemption to these limits as defined in the Annexes of Directive 2011/65/EU (RoHS2). Finished electrical and electronic equipment products will be CE marked as required by Directive 2011/65/EU. Components may not be CE marked. Additionally, the part numbers that TE has identified as EU ELV compliant have a maximum concentration of 0.1% by weight in homogenous materials for lead, hexavalent chromium, and mercury, and 0.01% for cadmium, or qualify for an exemption to these limits as defined in the Annexes of Directive 2000/53/EC (ELV). Regarding the REACH Regulation, the information TE provides on SVHC in articles for this part number is based on the latest European Chemicals Agency (ECHA) 'Guidance on requirements for substances in articles' posted at this URL: <https://echa.europa.eu/guidance-documents/guidance-on-reach>

Compatible Parts



TE Part # 465644-1
EXTRACTION TOOL



TE Part # 455830-1
INSERTION TOOL



TE Part # 1-171196-0
6 POS MATE-N-LOK S



TE Part # 1-480274-0
09P CMNL PLUG HSG P/M NATL



TE Part # 1-480284-0
08P CMNL CAP HSG M/M NATL



TE Part # 1-480438-0
16P CMNL PLUG HSG M/M NATL



TE Part # 1-480683-0
02P CMNL PLUG HSG F/H NATL



TE Part # 1-480277-0
09P CMNL CAP HSG P/M NATL



TE Part # 1-480304-0
03P CMNL PLUG HSG P/M NATL

TE Part # 1-480722-0
04P CMNL PLUG HSG W/LCK NATL

TE Part # 1-480276-0
06P CMNL CAP HSG P/M NATL

TE Part # 1-480285-0
10P CMNL PLUG HSG M/M NATL

TE Part # 1-480439-0
16P CMNL CAP HSG M/M NATL

TE Part # 1-480393-1
02P CMNL PLUG HSG F/H BLK

TE Part # 1-480345-0
08P CMNL CAP HSG F/H NATL

TE Part # 1-480340-0
06P CMNL CAP HSG F/H NATL

TE Part # 1-480278-0
12P CMNL CAP HSG P/M NATL

TE Part # 1-480425-0
04P CMNL PLUG HSG P/M NATL

TE Part # 1-480324-0
15P CMNL CAP HSG P/M NATL

TE Part # 1-480721-0
03P CMNL PLUG HSG W/LOK NATL

Also in the Series | Commercial MATE-N-LOK

Connector Contacts(16)

Crimp Wire Pins, Tabs & Ferrules(2)

Insertion & Extraction Tools(5)

Power Contacts(127)

Rectangular Caps & Covers(2)

Rectangular Connector Housings(11)

Rectangular Connector Seals(1)

Rectangular Power Connectors(166)

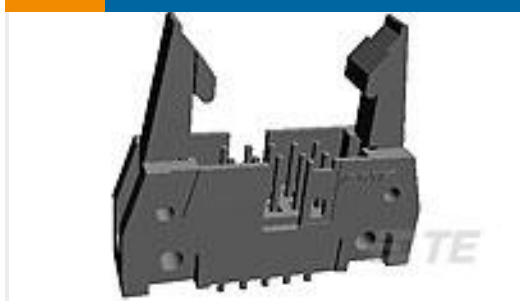


Standard Circular Connectors(2)

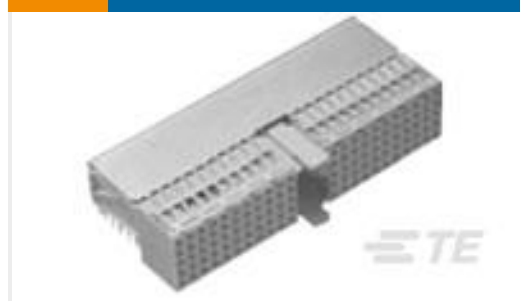


Standard Rectangular Connectors(7)

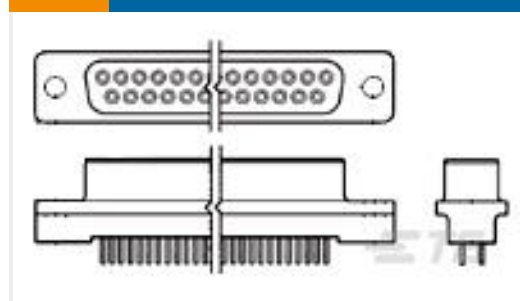
Customers Also Bought



TE Part #5499923-4
A/L UNIV HDR 20P VERT LG LAT



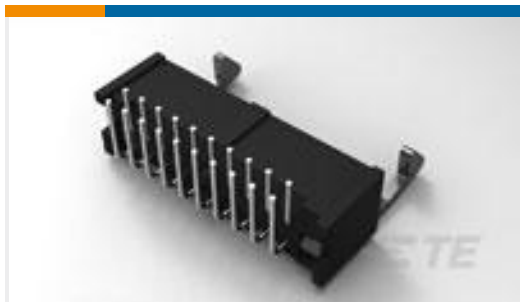
TE Part #100147-1
Z-PACK/A F-HDR.110P



TE Part #5745077-4
HD-20 RCPT 15P VERT FFSCRLK



TE Part #3-350943-0
03P UMNL HDR ASSY R/A 94VO LF



TE Part #2-1761607-7
IDC LOW PRO HDR 20P RA LG LAT



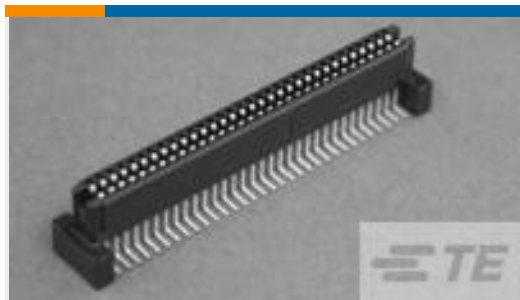
TE Part #1-480425-0
04P CMNL PLUG HSG P/M NATL



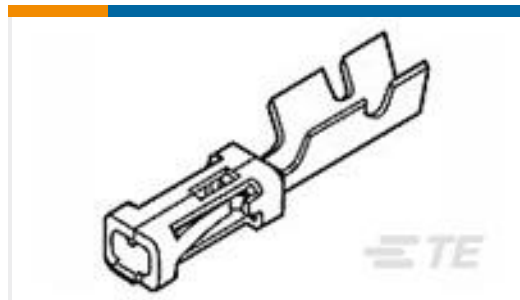
TE Part #8-2176307-5
RP 1E 0.1W 93K1 0.1% 25PPM 5K RL



TE Part #5745071-2
HD-20 PLUG 9P VERT FFSCRLK



TE Part #5120603-2
1FHR,84,30A/S,S,N,S11,12



TE Part #6-87756-7
MOD IV REC STP INT'L SPEC REEL

Documents

Product Drawings

[CMNL SOK 30-22 AUNIBR L/P](#)

English

CAD Files

[Customer View Model](#)

[ENG_CVM_61173-5_E.3d_igs.zip](#)

English

[Customer View Model](#)



[ENG_CVM_61173-5_E.3d_stp.zip](#)

English

Customer View Model

[ENG_CVM_61173-5_E.2d_dxf.zip](#)

English

3D PDF

English

3D PDF

3D

Customer View Model

[ENG_CVM_CVM_61173-5_H.2d_dxf.zip](#)

English

Customer View Model

[ENG_CVM_CVM_61173-5_H.3d_igs.zip](#)

English

Customer View Model

[ENG_CVM_CVM_61173-5_H.3d_stp.zip](#)

English

By downloading the CAD file I accept and agree to the [Terms and Conditions](#) of use.

Datasheets & Catalog Pages

[SOFT_SHELL_PIN_SOCKET_CONNECTORS_STANDARD_DENSITY](#)

English

Product Specifications

[Application Specification](#)

English

Instruction Sheets

[Instruction Sheet \(U.S.\)](#)

English