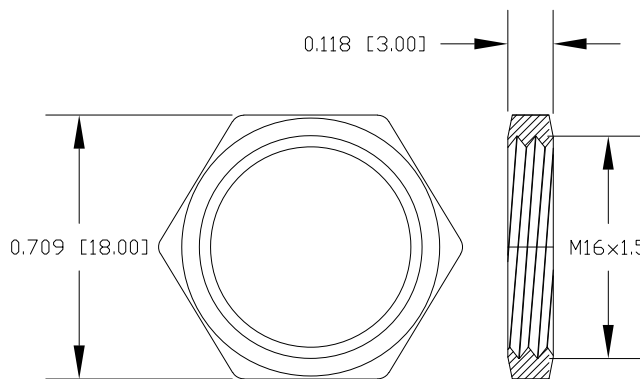
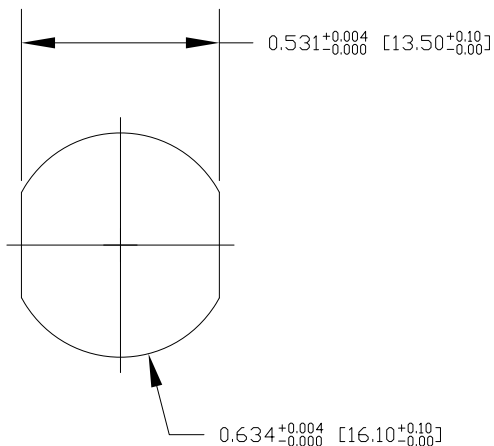




DESCRIPTION: M12 5 POSITION STAINLESS STEEL MALE PIGTAIL

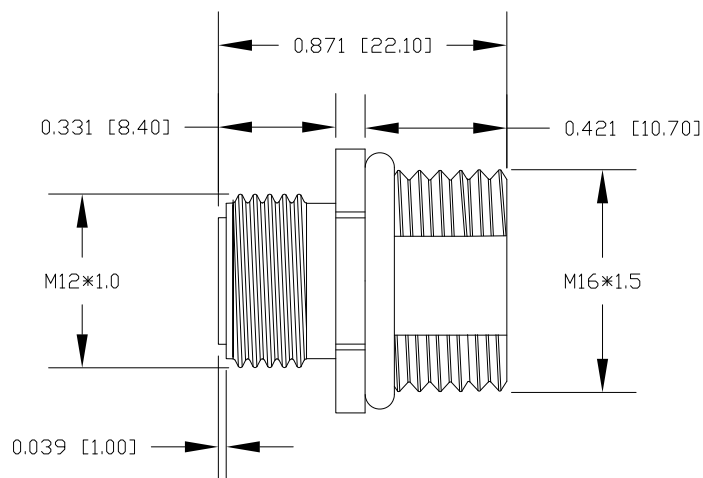
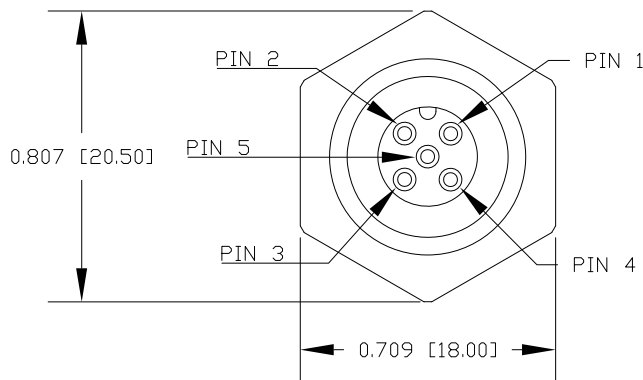
NOTE:

MATERIAL  
 HOUSING: PBT UL94V-0, BLACK  
 CONTACT: BRASS  
 NUT: STAINLESS STEEL 316  
 SHELL: STAINLESS STEEL 316  
 O-RING: EPDM, BLACK  
 FINISH  
 CONTACT: GOLD PLATED 10µ" Min.  
 UNDER PLATE: NICKEL  
 ELECTRICAL  
 RATED CURRENT: 4A  
 RATED VOLTAGE: 60V  
 INSULATION RESISTANCE: 100MΩ MIN  
 CONTACT RESISTANCE: 10mΩ MAX  
 WATER PROOF: IP67/68  
 ENVIRONMENT  
 OPERATION TEMPERATURE: -40°C ~ +85°C



NUT

RECOMMENDED PANEL CUT-OUT



RoHS COMPLIANT

UNITS IN INCHES [MM] DO NOT SCALE FROM DRAWING



THESE DRAWINGS AND SPECIFICATIONS ARE THE PROPERTY OF NorComp AND SHALL NOT BE REPRODUCED, COPIED OR USED AS THE BASIS FOR THE MANUFACTURE OR SALE OF APPARATUS WITHOUT WRITTEN PERMISSION.

DRAWN:  
**G. BROWN**  
 DATE:  
 01/23/2019

NorComp

SCALE: NTS	SHEET 2	OF 2	REV 3
DWG NO.		MPM12A05IYYDF0Y	