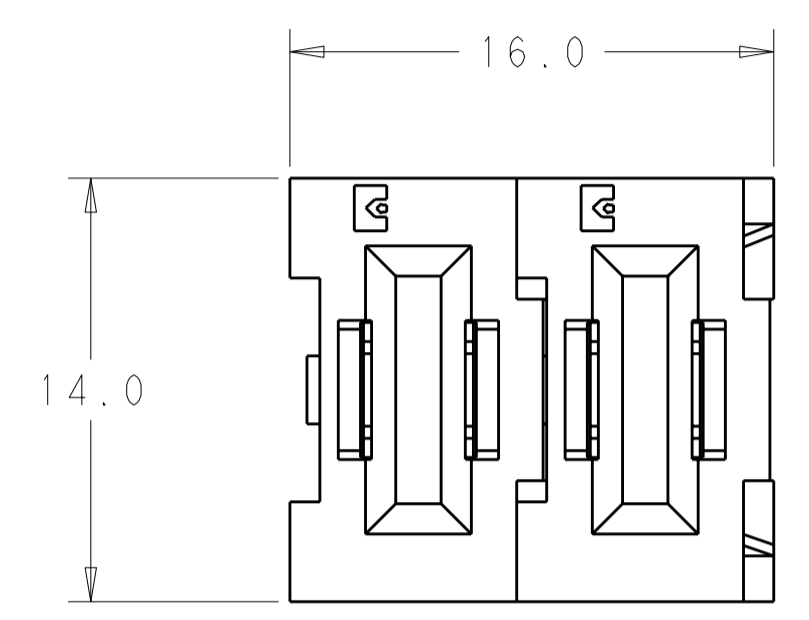


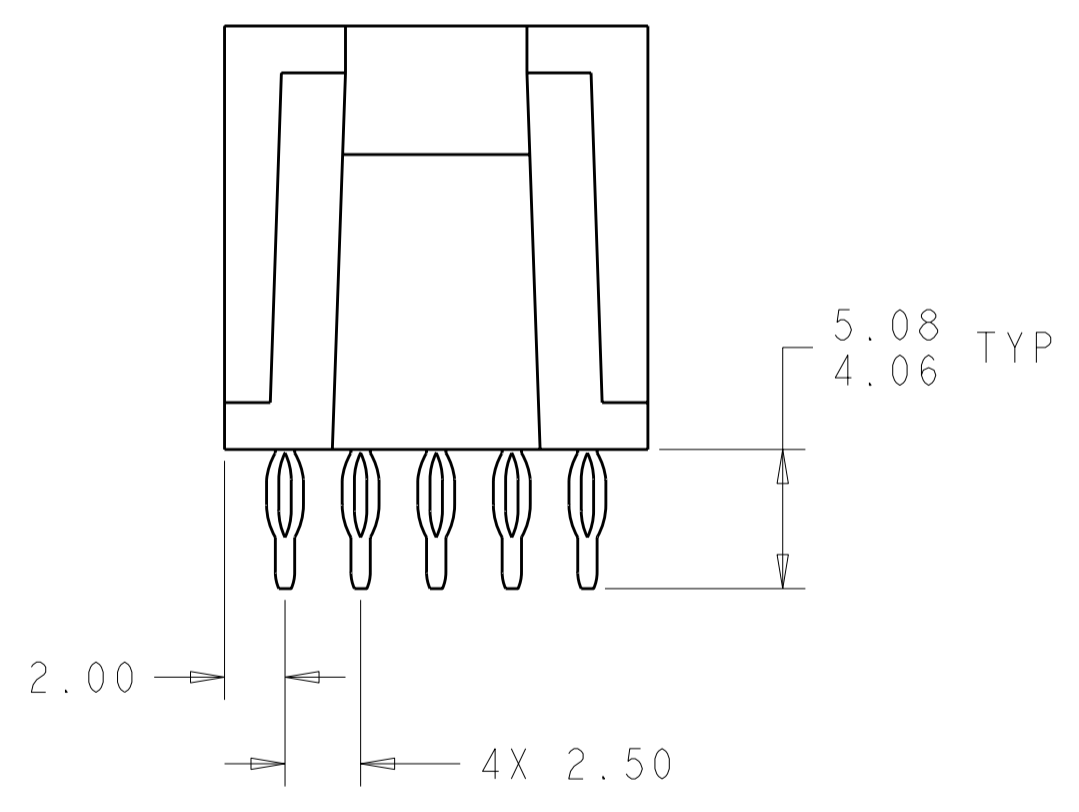
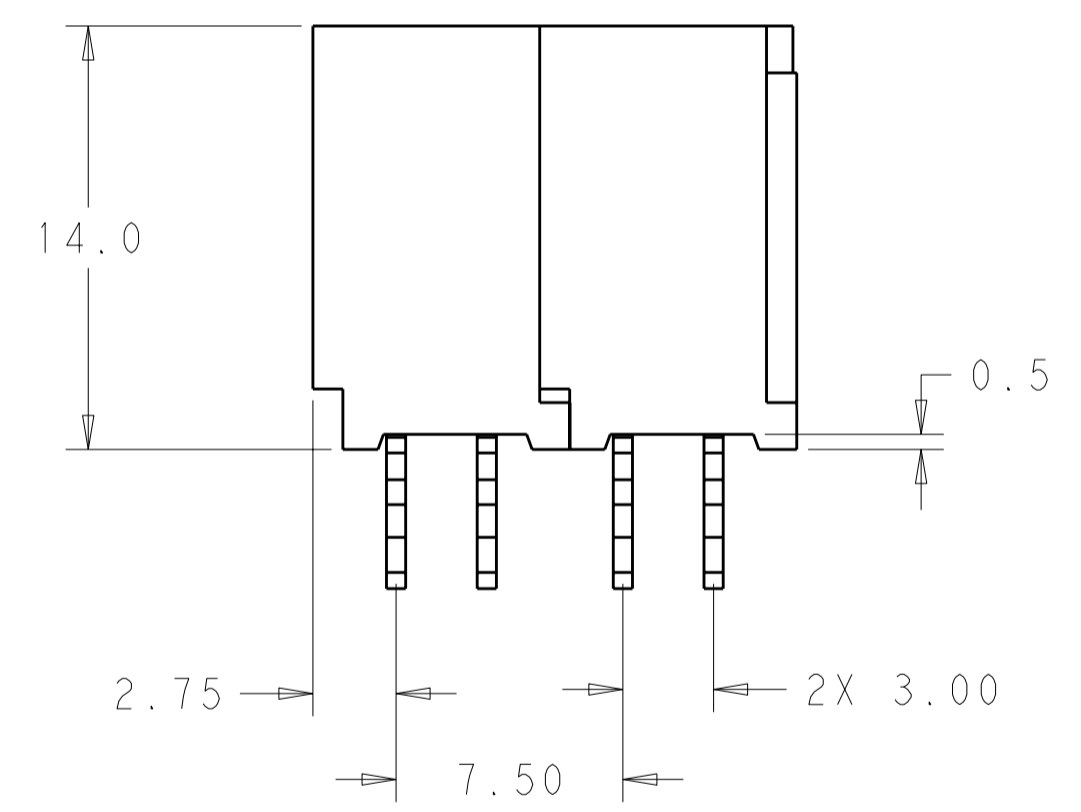
THIS DRAWING IS UNPUBLISHED. RELEASED FOR PUBLICATION 20  
 © COPYRIGHT 20 TE ALL RIGHTS RESERVED.

| LOC | DIST | REVISIONS |     |             |           |     |      |
|-----|------|-----------|-----|-------------|-----------|-----|------|
| GP  | 00   | P         | LTR | DESCRIPTION | DATE      | DWN | APVD |
|     |      |           | A   | RELEASED    | 04APR2011 | RG  | MB   |



- 1 MATERIAL:  
 INSULATOR - THERMOPLASTIC, GLASS REINFORCED,  
 COLOR: BLACK  
 UL94V-0 FLAMABILITY RATED  
 POWER CONTACTS- PHOSPHOR BRONZE ALLOY,  
 COPPER ALLOY  
 CROWN BANDS - BERYLLIUM COPPER ALLOY
- 2 FINISH:  
 CONTACTS - GOLD PLATED 0.76µm MIN. THK OVER NICKEL  
 1.27µm MIN. THK  
 COMPLIANT TAILS - TIN PLATE 2.54µm MIN. THK. OVER  
 NICKEL 1.27µm MIN THK.
3. ITEMS PROVIDED TO THIS SPECIFICATION TO BE PERMANENTLY IDENTIFIED ON THE CONTAINER PER THE FOLLOWING IDENTIFIER:

YEAR    WEEK     
 TE CONNECTIVITY P/N DATE CODE (e.g. 0106)  
 XXXXXXXX-X XXXX

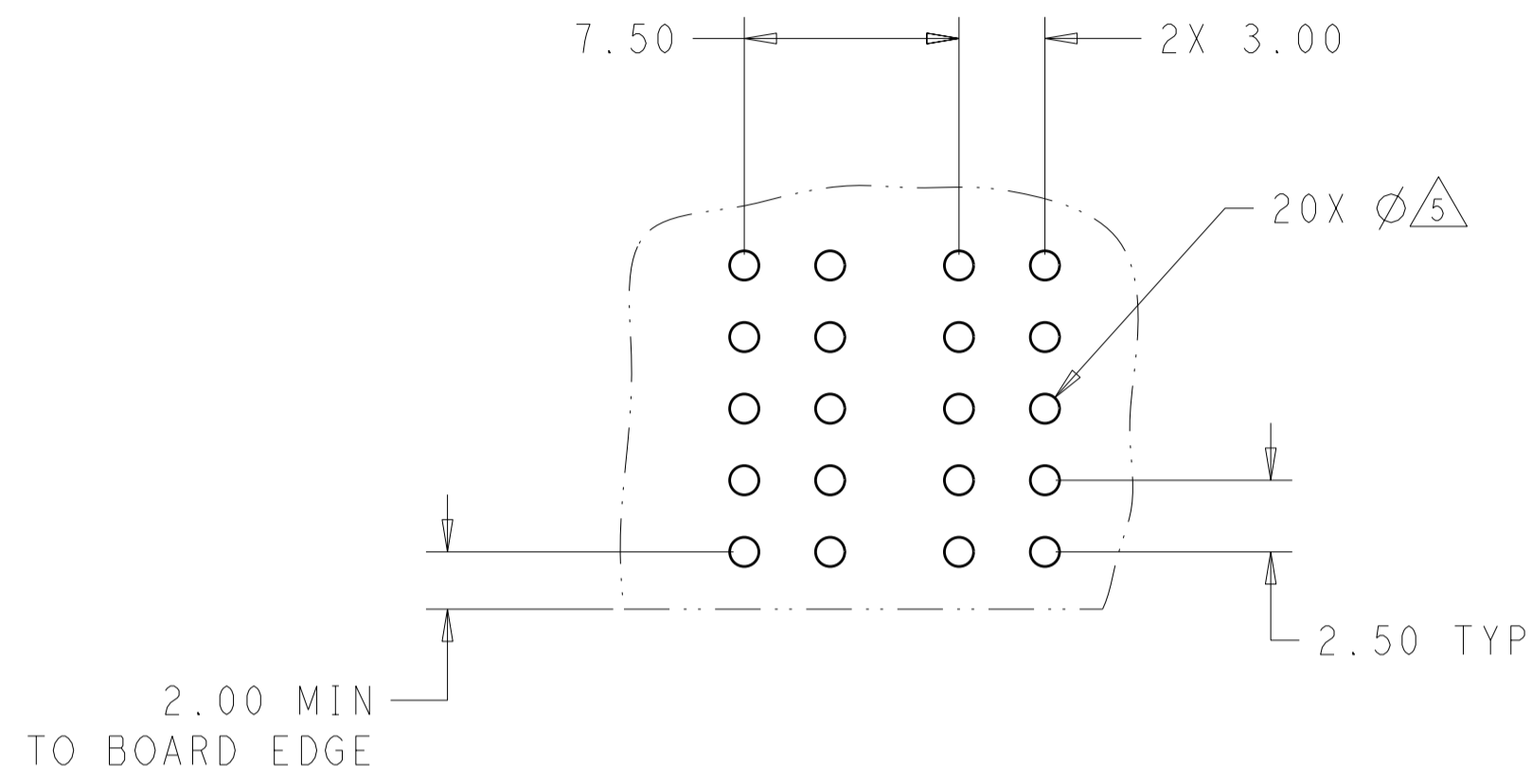


6646506-1  
 PART NUMBER

|  |  |                                   |  |                         |
|--|--|-----------------------------------|--|-------------------------|
| THIS DRAWING IS A CONTROLLED DOCUMENT.   |  | DWN<br>R. GRZYBOWSKI<br>25MAR2011 | TE Connectivity  |                         |
| DIMENSIONS:<br>mm  |  | CHK<br>M. BOWERS<br>25MAR2011     |  |                         |
| TOLERANCES UNLESS OTHERWISE SPECIFIED:   |  | APVD<br>M. BOWERS<br>25MAR2011    | NAME<br>SOCKET CONNECTOR ASSEMBLY<br>VERTICAL, COMPLIANT TAIL<br>FLATPAQ |                         |
| 0 PLC ±<br>1 PLC ±0.5<br>2 PLC ±0.25<br>3 PLC ±<br>4 PLC ±<br>ANGLES ±<br>FINISH 2 |  | PRODUCT SPEC<br>-                 | SIZE<br>A200779  | DRAWING NO<br>C-6646506 |
| MATERIAL 1   |  | APPLICATION SPEC<br>-             | RESTRICTED TO<br>-   |                         |
|  |  | WEIGHT<br>-                       | SCALE<br>4:1   | SHEET<br>1 OF 3         |
|  |  | CUSTOMER DRAWING                  | REV<br>A   |                         |

THIS DRAWING IS UNPUBLISHED.      RELEASED FOR PUBLICATION      20  
 © COPYRIGHT 20      TE      ALL RIGHTS RESERVED.

| LOC | DIST | REVISIONS   |             |     |      |
|-----|------|-------------|-------------|-----|------|
| P   | LTR  | DESCRIPTION | DATE        | DWN | APVD |
| GP  | 00   | -           | SEE SHEET 1 | -   | -    |
|     |      |             |             |     |      |
|     |      |             |             |     |      |



PRINTED CIRCUIT LAYOUT  
 COMPONENT SIDE

| CONNECTOR | CATALOG MODULE # | QTY | SIZE NO. | CONTACT QTY | MATING PIN  | MAX. CURRENT (PER CONTACT) | CONTACT SPACING | VOLTAGE RATING |
|-----------|------------------|-----|----------|-------------|-------------|----------------------------|-----------------|----------------|
| SOCKET    | FP200            | 2   | 8        | 2           | 1.25 X 7.00 | 35 amps                    | 7.50            | 250 VOLTS      |

THIS DRAWING IS A CONTROLLED DOCUMENT.

|  |   |
|--|---|
| DWN<br>R. GRZYBOWSKI<br>25MAR2011  | TE Connectivity<br>SOCKET CONNECTOR ASSEMBLY<br>VERTICAL, COMPLIANT TAIL<br>FLATPAQ |
| CHK<br>M. BOWERS<br>25MAR2011  |   |
| APVD<br>M. BOWERS<br>25MAR2011   |   |
| PRODUCT SPEC<br>-  |   |
| MATERIAL<br>-  | APPLICATION SPEC<br>-   |
| DIMENSIONS: mm<br>   |   |
| TOLERANCES UNLESS OTHERWISE SPECIFIED:<br>0 PLC ±<br>1 PLC ±0.5<br>2 PLC ±0.25<br>3 PLC ±<br>4 PLC ±<br>ANGLES ±<br>FINISH ± |   |
| WEIGHT<br>-  |   |
| CUSTOMER DRAWING   |   |

|       |           |            |               |
|-------|-----------|------------|---------------|
| SIZE  | CAGE CODE | DRAWING NO | RESTRICTED TO |
| A2    | 00779     | 6646506    | -             |
| SCALE | 4:1       | SHEET      | 2 OF 3        |
| REV   | A         |            |               |

