

NOTES:

1. ALL PARTS TO BE BULK PACKED UNLESS NOTED.
2. INSTA CLICK CABLE END ASSEMBLY IS SUPPLIED AS A KIT. SEE KIT DRAWING.
3. ALL DIMENSIONS ARE REFERENCED IN INCHES [MM], WITHIN ± 0.015 UNLESS NOTED.
4. SIZE #12, 2 POSITION CRIMP CONTACTS ASSEMBLY IS BEEN SHOWN AS EXAMPLE. VISIT PART NUMBERING SYSTEM CHART TO VISIT VARIOUS SELECTIONS

PART NUMBER SYSTEM

W 3 X 8 X - X PG - P - 5 XX

CONTACT SIZES

- 1' - SIZE #12
- 2' - SIZE #20
- 3' - SIZE #16

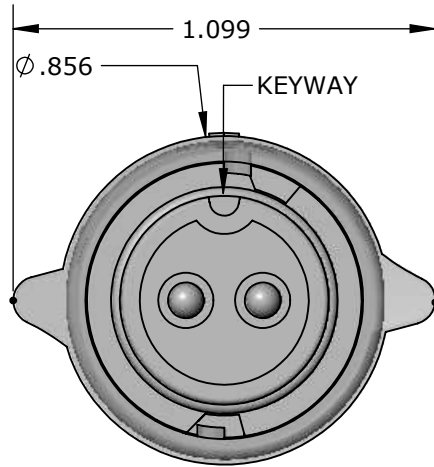
CONTACTS STYLE

- 0' - CRIMP
- 2' - SOLDER

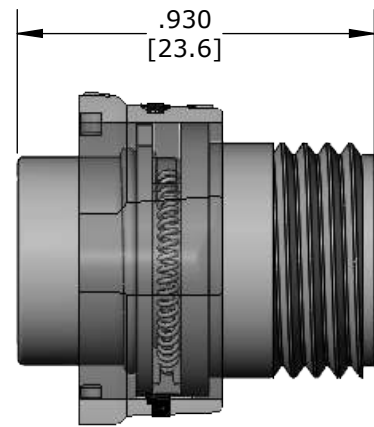
CONTACT POSITIONS

- POSITION 2, 3 & 4 (AVAILABLE IN SIZE #12)
- POSITION 4, 5 & 6 (AVAILABLE IN SIZE #16)
- POSITION 4,5,6,7,8,9,10,11&12 (AVAILABLE IN SIZE #20)

- 15 - CABLE OD 0.15 - 0.17 [3.8 - 4.3mm]
- 18 - CABLE OD 0.18 - 0.20 [4.6 - 5.1mm]
- 21 - CABLE OD 0.21 - 0.23 [5.3 - 5.8mm]
- 24 - CABLE OD 0.24 - 0.27 [6.1 - 6.8mm]
- 28 - CABLE OD 0.28 - 0.29 [7.1 - 7.4mm]
- 30 - CABLE OD 0.30 - 0.32 [7.6 - 8.1mm]
- 35 - CABLE OD 0.35 - 0.40 [8.9 - 10.2mm]



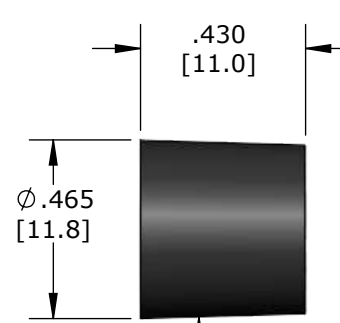
W3180-2PG-P-5XX SHOWN MATING VIEW



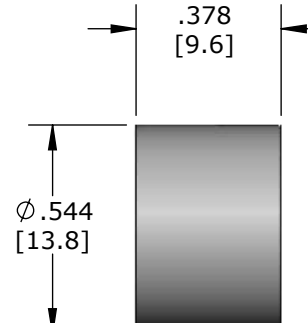
CABLE END CONN KIT
MATL:
HOUSING- THERMOPLASTIC, BLACK
COUPLING RING- THERMOPLASTIC, BLACK
O-RING - RED SILICONE
INTERNAL SPRING - STAINLESS STEEL



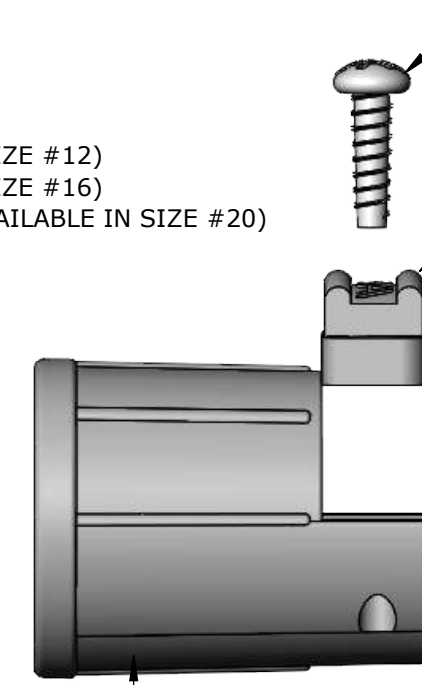
#12 CRIMP CONTACTS SHOWN HERE
MATL: COPPER ALLOY, GOLD PLATED



GROMMET
MATL: SANTOPRENE, BLACK



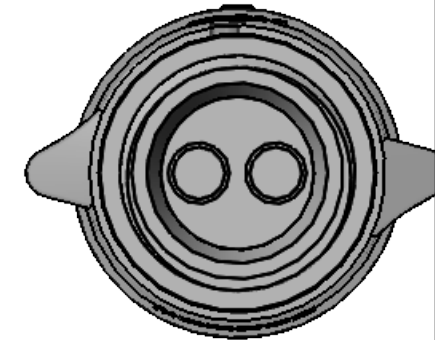
SLEEVE
MATL: THERMOPLASTIC, BLACK



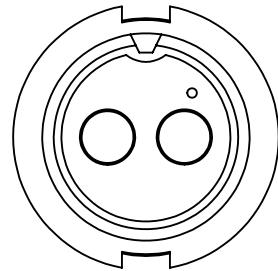
BACKSHELL
MATL: THERMOPLASTIC, BLACK

(2) #4 X 3/8 PAN HEAD SELF TAPPING SCREW
MATL: STAINLESS STEEL

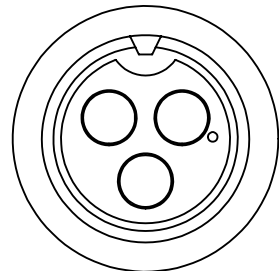
CABLE STRAP
MATL: VALOX, BLACK



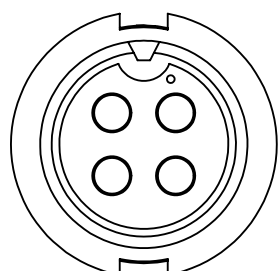
W3180-2PG-P-5XX WIRING VIEW



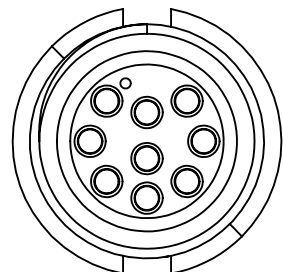
W3180-2PG-P-5XX MATING VIEW



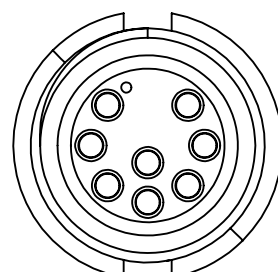
W3180-3PG-P-5XX MATING VIEW



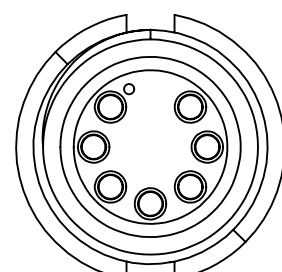
W3380-4PG-P-5XX MATING VIEW



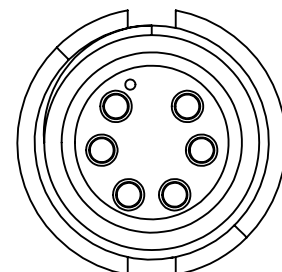
W3280-9PG-P-5XX WIRING VIEW



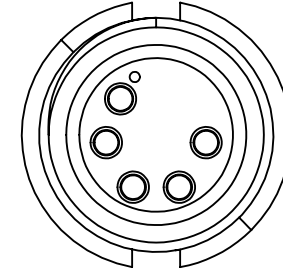
W3280-8PG-P-5XX WIRING VIEW



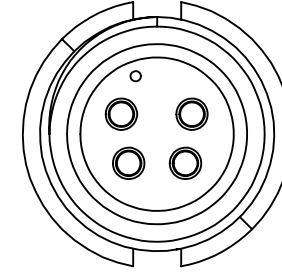
W3280-7PG-P-5XX WIRING VIEW



W3280-6PG-P-5XX WIRING VIEW



W3280-5PG-P-5XX WIRING VIEW



W3280-4PG-P-5XX WIRING VIEW

- W3180-2PG-P-515 0.156 ID FOR CABLES 0.15 - 0.17 [3.5 - 4.3mm]0D
- W3180-2PG-P-518 0.187 ID FOR CABLES 0.18 - 0.20 [4.6 - 5.1mm]0D
- W3180-2PG-P-521 0.225 ID FOR CABLES 0.21 - 0.23 [5.3 - 5.8mm]0D
- W3180-2PG-P-524 0.250 ID FOR CABLES 0.24 - 0.27 [6.1 - 6.8mm]0D
- W3180-2PG-P-528 0.285 ID FOR CABLES 0.28 - 0.29 [7.1 - 7.4mm]0D
- W3180-2PG-P-530 0.312 ID FOR CABLES 0.30 - 0.32 [7.6 - 8.1mm]0D
- W3180-2PG-P-535 0.375 ID FOR CABLES 0.35 - 0.40 [8.9 - 10.2mm]0D

CUSTOMER PRINT

PART NUMBER: W3X8X-XPG-P-5XX_CD

0A	AM	04/04/22	CUSTOMER DRAWING
REV.	INIT.	DATE	DESCRIPTION
	AM	04/04/22	ORIG. DRAWN BY: DATE: AM 04/04/22
ALL INFORMATION ILLUSTRATED IS THE PROPERTY OF CONXALL CORPORATION. UNAUTHORIZED DUPLICATION OR DISTRIBUTION OF THIS DOCUMENT IS PROHIBITED.			<p>601 E. WILDWOOD VILLA PARK, IL 60181</p>
UNLESS OTHERWISE SPECIFIED TOLERANCES: 3 PLACE DECIMALS ±.005 ANGLES ±1° FRACTIONS ±1/16			
APPROVED BY:		TITLE: CABLE END CONNECTOR ASSEMBLY (2-4) #12, (4-6) #16, (4-12) #20 PIN CONTACTS MULTI CONX INSTA-CLICK STANDARD PRODUCT	
SCALE	SIZE	SHEET	CUSTOMER:
NTS	B	1 OF 1	W3X8X-XPG-P-5XX
FILE:	DIRECTORY:	PART NUMBER:	REV
FILE NAME	SLW		