

THIS DRAWING IS UNPUBLISHED.

RELEASED FOR PUBLICATION

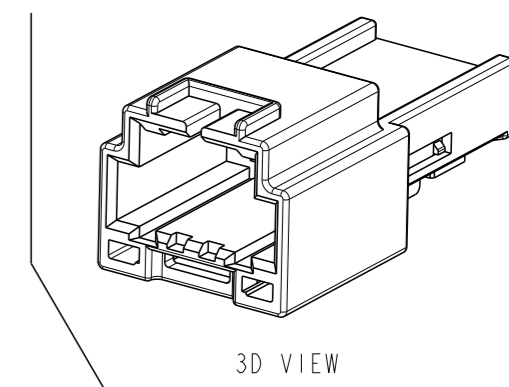
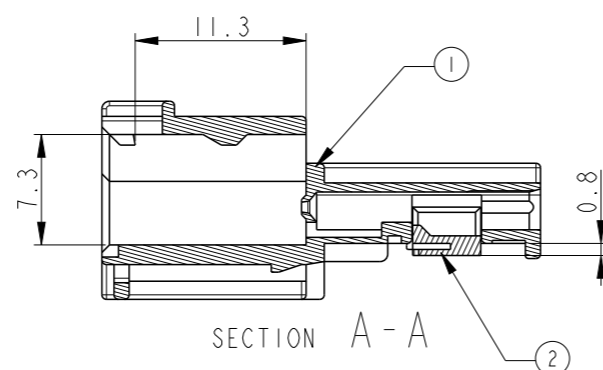
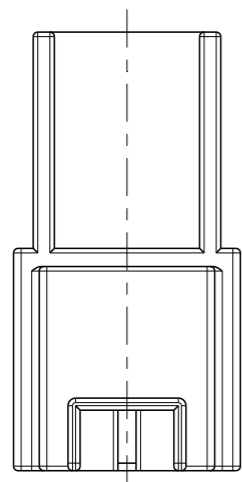
© COPYRIGHT

BY TE CONNECTIVITY

ALL RIGHTS RESERVED.

REVISIONS

P	LTR	DESCRIPTION	DATE	DWN	APVD
0		RELEASED	28.MAR.'02	HS	CS
A		REVISED (ECR-09-002852)	10.FEB.'09	KT	HG



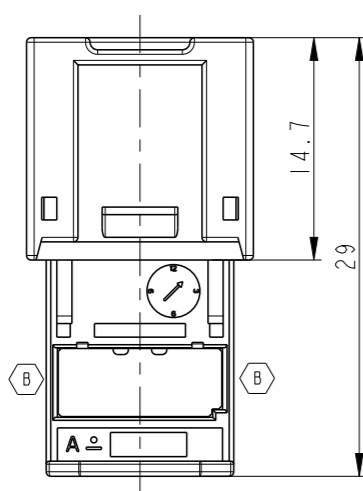
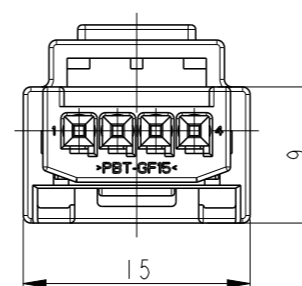
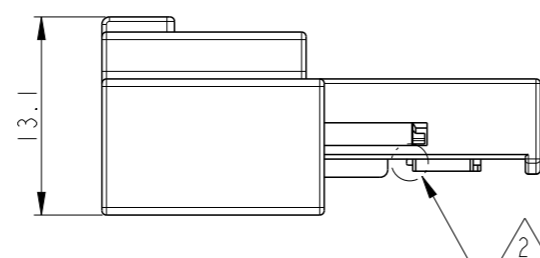
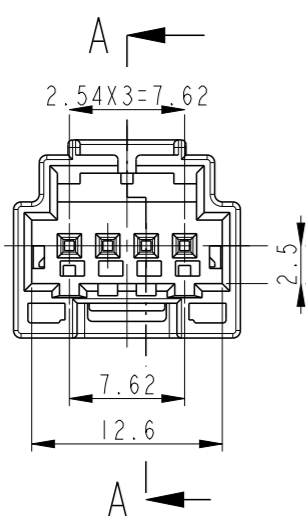
NOTES

- 1. GENERAL TOLERANCE IS  $\pm 0.3$
- 2. CONDITION OF DELIVERY : DBL IN 1st LOCKING POSITION
- 3. APPLIED CLIP HSG:

PART NO.	PANEL THICKNESS	PANEL HOLE SIZE
368165	0.7~1.6mm	
368373	0.5~2.0mm	

- 4. APPLIED PLUG ASS'Y P/N: 936119
- 5. APPLIED TAB CONTACT P/N:

PART NO.	928918	963716
WIRE SIZE(mm <sup>2</sup> )	0.25~0.5	0.75



NO.	COLOR	MATERIAL	DESCRIPTION	P/N	REV.	Q'TY
2	WHITE	PBT-GF15	DBL HSG	936123-1	1	1
1	YELLOW	PBT-GF15	CAP HSG	936122-2	1	-
1	BLACK	PBT-GF15	CAP HSG	936122-1	-	1

THIS DRAWING IS A CONTROLLED DOCUMENT.		DWN KT JUNG		TE Connectivity <b>MQS 4P CAP ASSEMBLY</b>	
DIMENSIONS: MM		CHK JW JUNG			
		APVD HG CHO			
TOLERANCES UNLESS OTHERWISE SPECIFIED:		PRODUCT SPEC			
0 PLC ± 1 PLC ± 2 PLC ± 3 PLC ± 4 PLC ± ANGLES ± FINISH ±		APPLICATION SPEC		NAME	
MATERIAL		WEIGHT		RESTRICTED TO	
SEE TABLE		CUSTOMER DRAWING		-	
		SCALE 2:1		SHEET 1 OF 1	
		REV B			