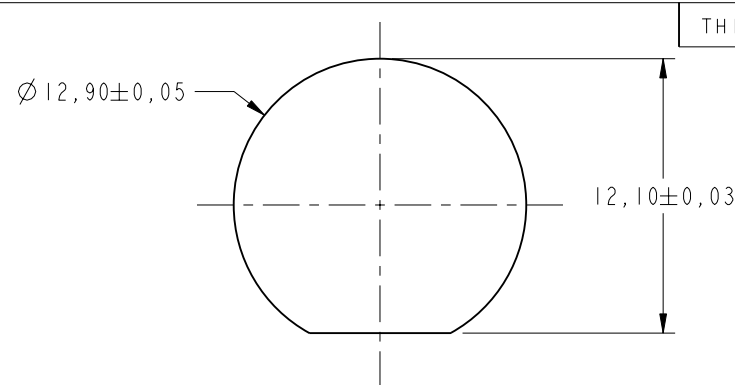


NOTES:

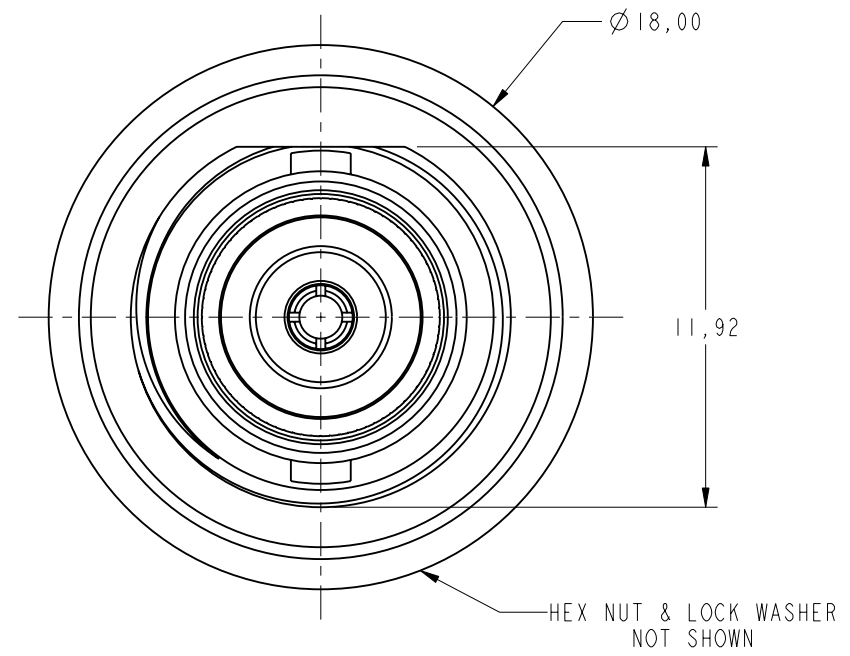
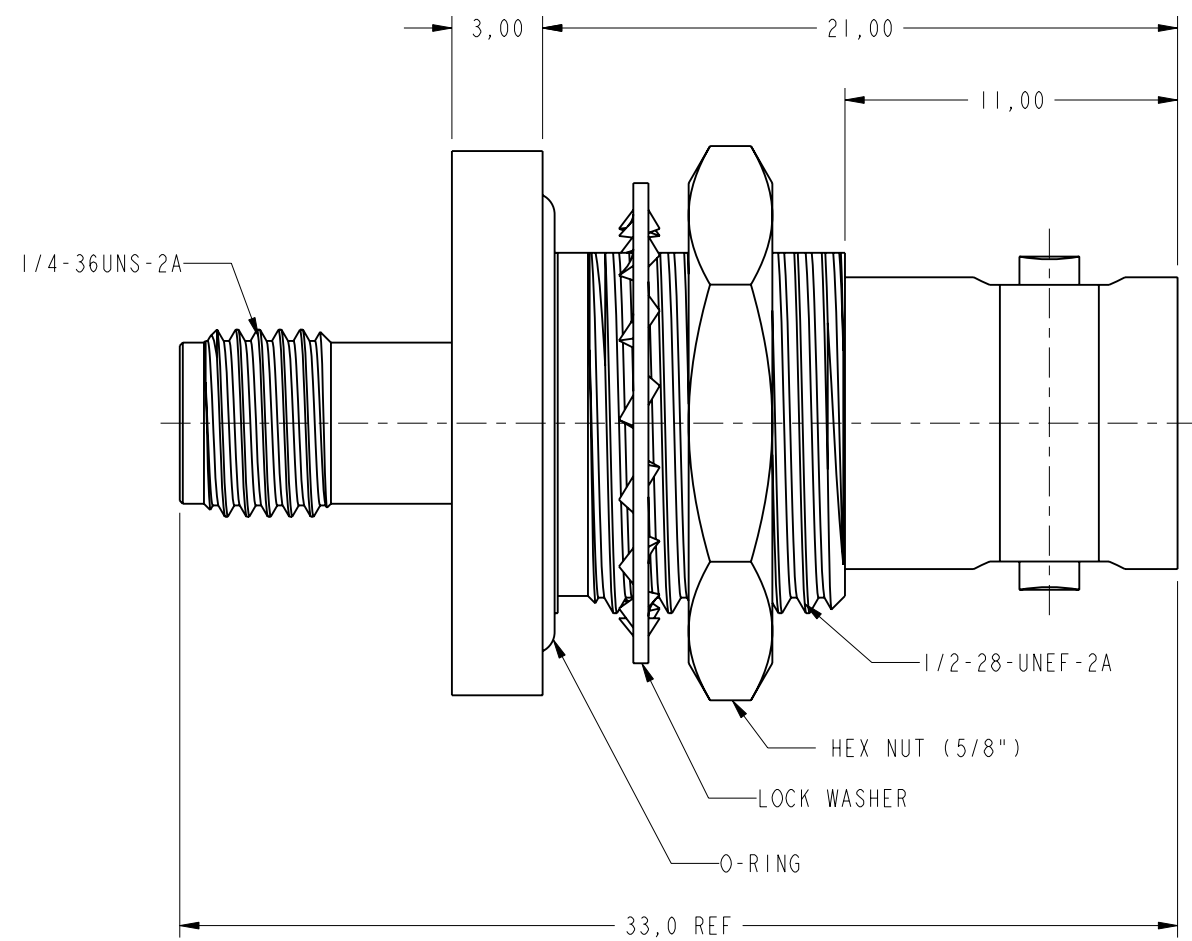
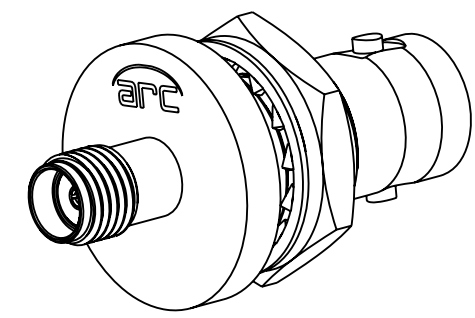
1. MATERIALS AND FINISHES:
 BODY - BRASS, NICKEL PLATING
 LOCKWASHER - PHOSPHOR BRONZE, NICKEL PLATING
 HEX NUT - BRASS, NICKEL PLATING
 CONTACT - BERYLLIUM COPPER, GOLD PLATING
 INSULATOR - PTFE
 O-RING - SILICONE RUBBER
2. ELECTRICAL:
 A. IMPEDANCE: 50 OHM
 B. FREQUENCY RANGE: DC - 4 GHz
 C. VSWR: 1.3 FROM DC TO 4 GHz
3. ENVIRONMENTAL:
 A. IP-67 SEALED IN UNMATED CONDITION
4. PACKAGING:
 A. QUANTITY: SINGLE PACK
 B. MARKING: BAG TO BE MARKED
 "AMPHENOL RF, 901-10384, AND DATE CODE"



RECOMMENDED PANEL
CUT OUT DIMENSIONS

THIRD ANGLE PROJ.

REV		DESCRIPTION	DATE	ECO	APPR
A		RELEASE TO MFG.	05-Sep-12	49148	RM
B		ADD ARC LOGO TO BODY\RD-DMI3082201J8	30-Aug-13	49619	RLB



CUSTOMER OUTLINE DRAWING
ALL OTHER SHEETS ARE FOR INTERNAL USE ONLY

<p>UNLESS OTHERWISE SPECIFIED, DIMENSIONS ARE IN METRIC AND TOLERANCES ARE: <0.5mm ±0.05mm 0.5 - 6mm ±0.1mm 6 - 30mm ±0.2mm 30 - 120mm ±0.3mm ANGLES ±1°</p> <p>NOTICE - These drawings, specifications, or other data (1) are, and remain the property of Amphenol corp. (2) must be returned upon request; and (3) are confidential and not to be disclosed to any person other than those to whom they are given by Amphenol Corp. the furnishing of these drawings, specifications, or other data by Amphenol Corp., or to any other person to anyone for any purpose is not to be regarded by implication or otherwise in any manner licensing, granting rights to permitting such holder or any other person to manufacture, use or sell any product, process or design, patented or otherwise, that may in any way be related to or disclosed by said drawings, specifications, or other data.</p>	MATERIAL	DRAWN J.CHEN	DATE 30-Aug-13	TITLE SMA JACK TO BNC BHD JACK IP-67 ADAPTOR	Amphenol RF www.amphenolrf.com
	REFERENCE EAR 3558 AND	ENGINEER D.DAVE	DATE 17-JAN-12		
	CONFIGURATION LEVEL: <input type="checkbox"/> <input type="checkbox"/>	APPROVED S.HSIEH	DATE 05-Sep-13	DWG SIZE B	REV B
	FINISH	CAD FILE			