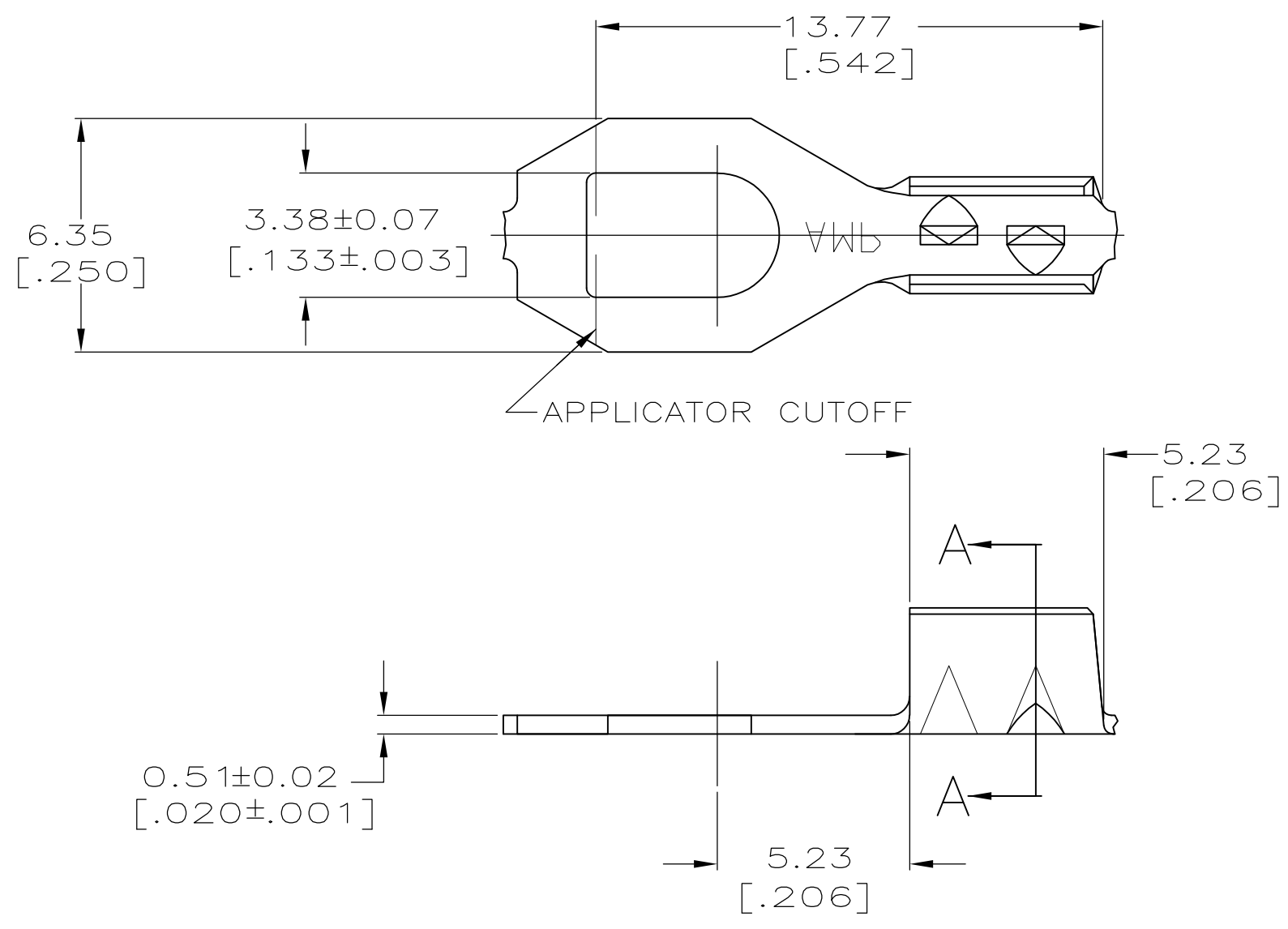
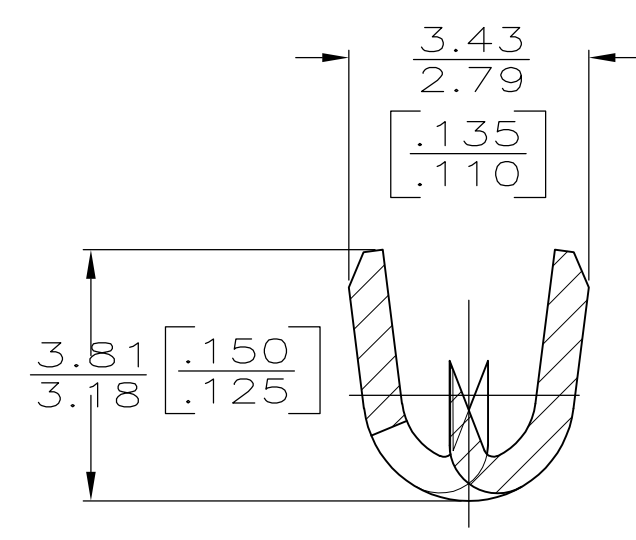


THIS DRAWING IS UNPUBLISHED. RELEASED FOR PUBLICATION
 © COPYRIGHT BY TYCO ELECTRONICS CORPORATION. ALL INTERNATIONAL RIGHTS RESERVED.

LOC	DIST	REVISIONS			
P	LTR	DESCRIPTION	DATE	DWN	APVD
AF	50	G	REVISED PER ECR-10-006099	07JUL10	HMR PD



1 CONTINUOUS STRIP ON REELS



SECTION A-A
SCALE 10:1

1.65-2.03 [.065-.080]	42339-2
INSULATION RANGE	PART NO

0	2.79 [.110]	THIS DRAWING IS A CONTROLLED DOCUMENT.		DWN	P FORTNEY	10/9/89	Tyco Electronics Corporation Harrisburg, PA 17105-3608
		DIMENSIONS:	TOLERANCES UNLESS OTHERWISE SPECIFIED:	CHK	JR RUTH	10/9/89	
TYPE	WIDTH	mm [INCHES]	0 PLC ± -	APVD	G YETTER	10/9/89	NAME
INSUL BARREL CRIMP			1 PLC ± -	PRODUCT SPEC	SPADE, INSULATION PIERCING		
			2 PLC ± -	APPLICATION SPEC			
			3 PLC ± 0.25 [.010]	SIZE	CAGE CODE	DRAWING NO	RESTRICTED TO
			4 PLC ± -	WEIGHT	A3	00779	C-42339
			ANGLES ± -	CUSTOMER DRAWING			
MATERIAL	FINISH	#2 HARD BRASS	TIN	SCALE	6:1	SHEET	1 OF 1
				REV	G		