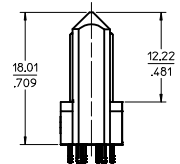
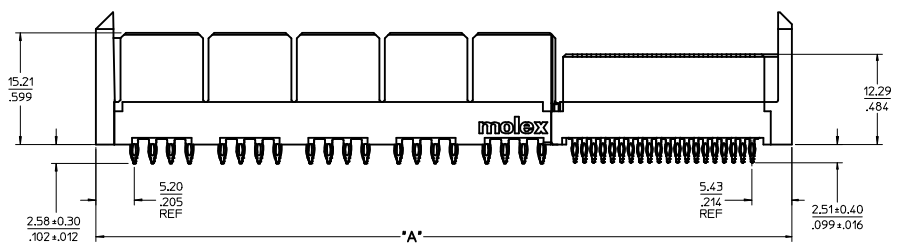
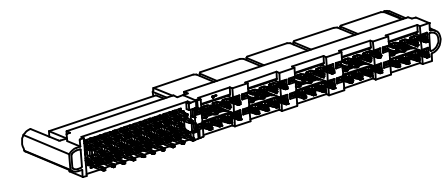


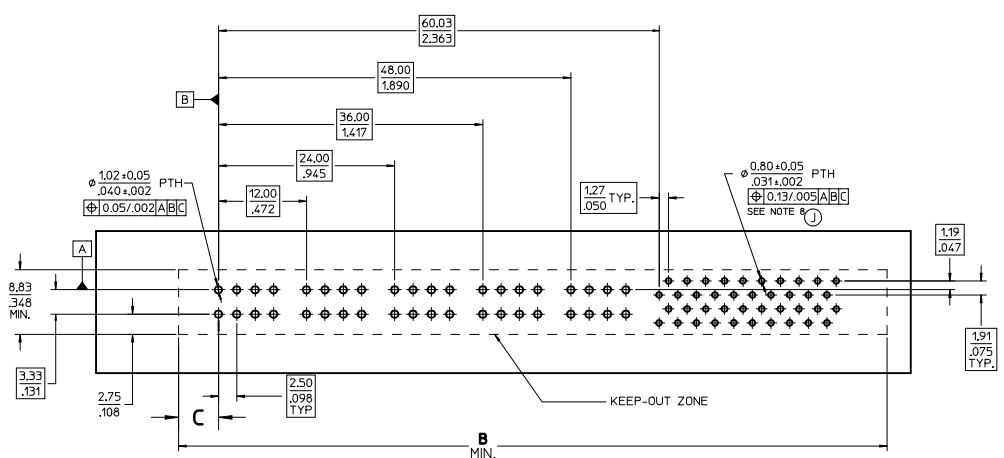
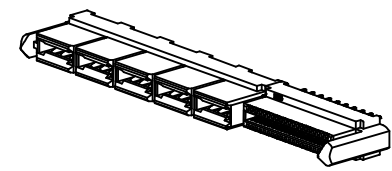
NO OF SIGNALS	MATERIAL NUMBER	COMPLIANT PIN PLATING	DIM A	DIM B	DIM C
12	46114-1012	TIN	77.01/3.032	77.51/3.052	5.45/215
16	46114-1016	TIN	79.55/3.132	80.05/3.152	
20	46114-1020	TIN	82.09/3.232	82.59/3.252	
24	46114-1024	TIN	84.63/3.332	85.13/3.352	
28	46114-1028	TIN	87.17/3.432	87.67/3.452	
32	46114-1032	TIN	89.71/3.532	90.21/3.552	
36	46114-1036	TIN	92.25/3.632	92.75/3.652	
40	46114-1040	TIN	94.79/3.732	95.29/3.752	



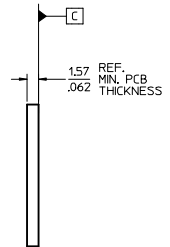
- NOTES:
1. MATERIAL: HOUSING: LCP, 94-V0, COLOR: BLACK. POWER CONTACTS: COPPER ALLOY. SIGNAL CONTACTS: MODIFIED TIN BRASS.
  2. FINISH: SELECT GOLD - 0.75  $\mu$ M/30  $\mu$  INCHES. SELECTED TIN - 2.50  $\mu$ M/100  $\mu$  INCHES. BOTH OVER NICKEL - 1.25  $\mu$ M/50  $\mu$  INCHES.
  3. POWER TERMINALS ARE LUBRICATED IN CONTACT AREA.
  4. PARTS ARE ROHS COMPLIANT.
  5. MATES TO MOLEX P/N 45985-SERIES OR EDGE CARD 1.57/0.62.
  6. PRODUCT SPECIFICATION PS-46114-001.
  7. PACKAGING: PER PK-46114-003.
  8. REFER TO PS-46114-001 FOR DSP THRU-HOLE SPECIFICATIONS.



MATERIAL # 46114-1040 SHOWN  
SCALE 2:1

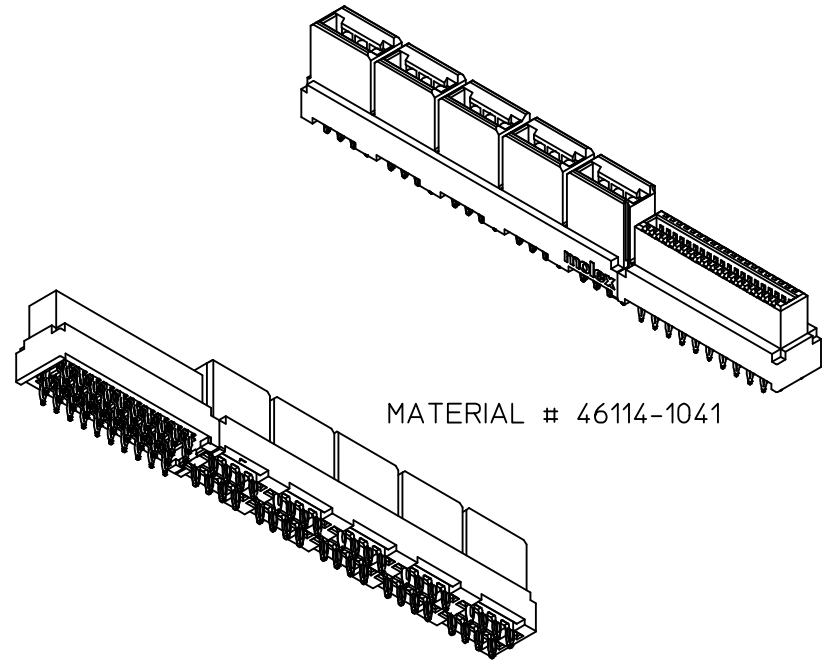
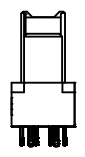
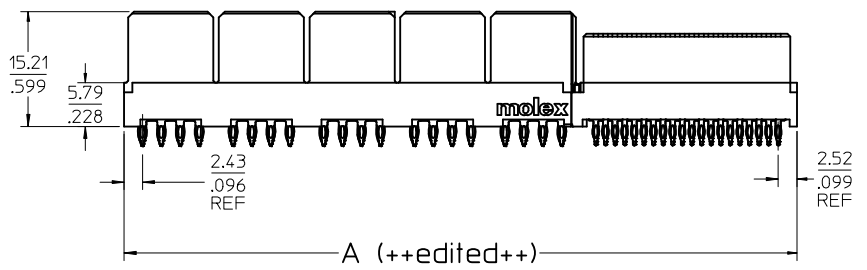
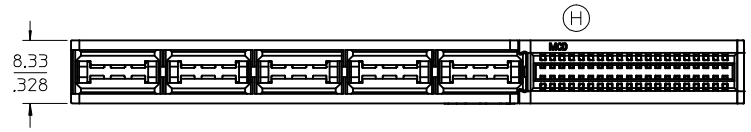


PCB COMPONENT SIDE



UPDATE NOTES	QUALITY SYMBOLS	GENERAL TOLERANCES (UNLESS SPECIFIED)		DIMENSION STYLE	SCALE	DESIGN UNITS	THIRD ANGLE PROJECTION	
		mm	INCH	MM/IN	2:1	METRIC	☉	
EC NO: S2016-1041 DRAWN: ING CHKD: JZG APPR: KHL M		4 PLACES ±---	±---	DRAWN BY: MKARADIMAS DATE: 2011/08/04			TITLE: LPH VERTICAL RECEPTACLE	
		3 PLACES ±---	±.010	CHECKED BY: APATEL DATE: 2011/08/05				
		2 PLACES ±0.25	±---	APPROVED BY: DATE				
		1 PLACE ±---	±---					
		ANGULAR ±1/2°		MATERIAL NO. SEE CHART			MOLEX MOLEX INCORPORATED	
		DRAFT WHERE APPLICABLE MUST REMAIN WITHIN DIMENSIONS		DOCUMENT NO. SD-46114-100			SHEET NO. 1 OF 3	
		THIS DRAWING CONTAINS INFORMATION THAT IS PROPRIETARY TO MOLEX INCORPORATED AND SHOULD NOT BE USED WITHOUT WRITTEN PERMISSION						

NO OF SIGNALS	MATERIAL NUMBER	COMPLIANT PIN PLATING	DIM A	DIM B	DIM C
12	46114-1013	TIN	71.34/2.809	71.84/2.828	2.69/106
16	46114-1017	TIN	73.88/2.909	74.38/2.928	
20	46114-1021	TIN	76.42/3.009	76.92/3.028	
24	46114-1025	TIN	78.96/3.109	79.46/3.128	
28	46114-1029	TIN	81.50/3.209	82.00/3.228	
32	46114-1033	TIN	84.04/3.309	84.54/3.328	
36	46114-1037	TIN	86.58/3.409	87.08/3.428	
40	46114-1041	TIN	89.12/3.509	89.62/3.528	

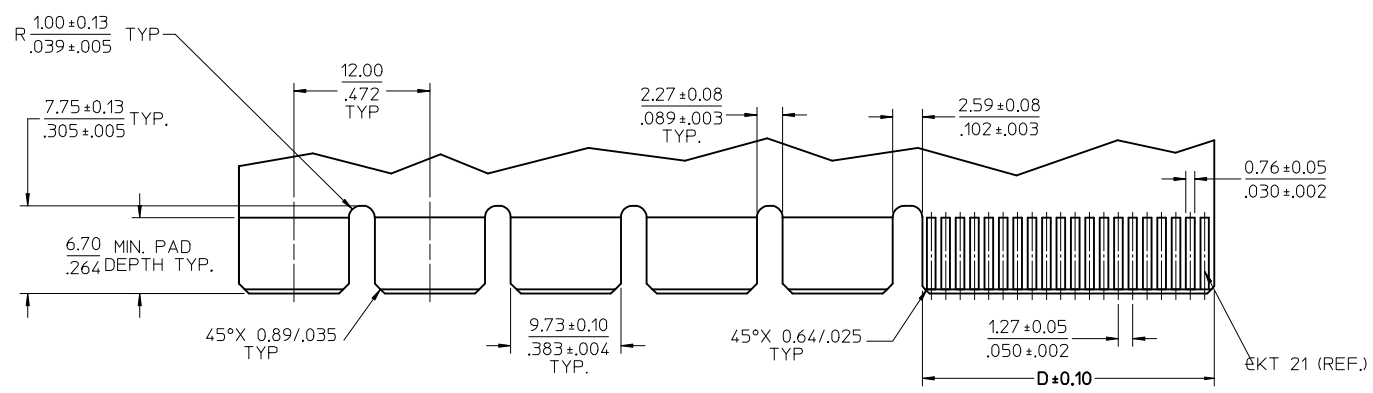
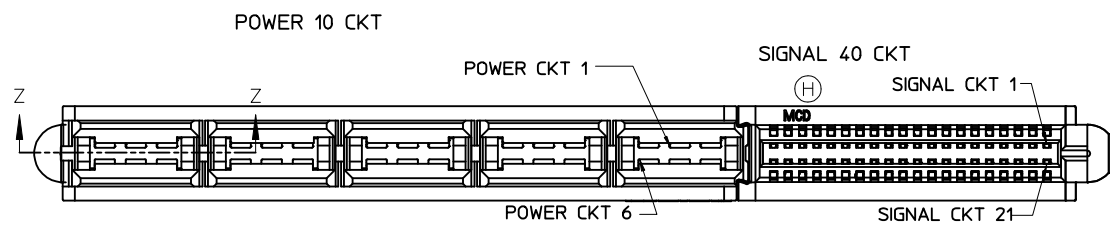


MATERIAL # 46114-1041

<b>UPDATE NOTES</b> EC NO: S2016-1041 2016/12/13 DRWN:ALIN06 2016/12/15 CHKD:JZENG 2016/12/19 APPR:KHLIM	QUALITY SYMBOLS DESCRIPTION REV	GENERAL TOLERANCES (UNLESS SPECIFIED)		DIMENSION STYLE MM/IN	SCALE 1:1	DESIGN UNITS METRIC	THIRD ANGLE PROJECTION
		4 PLACES ± --- ± --- 3 PLACES ± --- ± .010 2 PLACES ± 0.25 ± --- 1 PLACE ± --- ± ---	DRAWN BY MKARADIMAS	DATE 2011/08/04	TITLE LPH VERTICAL RECEPTACLE		
		ANGULAR ±1/2°	CHECKED BY APATEL	DATE 2011/08/05	MOLEX INCORPORATED		
		DRAFT WHERE APPLICABLE MUST REMAIN WITHIN DIMENSIONS	MATERIAL NO. SEE CHART	DATE APPROVED BY	DOCUMENT NO. SD-46114-100	SHEET NO. 2 OF 3	

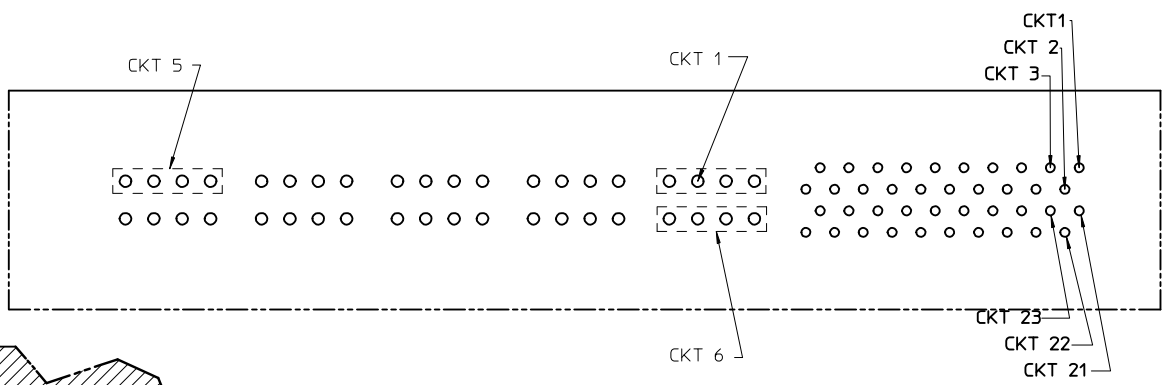
THIS DRAWING CONTAINS INFORMATION THAT IS PROPRIETARY TO MOLEX INCORPORATED AND SHOULD NOT BE USED WITHOUT WRITTEN PERMISSION

NO OF SIGNAL	DIM. D
12	8.00/.315
16	10.54/.415
20	13.08/.515
24	15.62/.615
28	18.16/.715
32	20.70/.817
36	23.24/.915
40	25.78/1.015

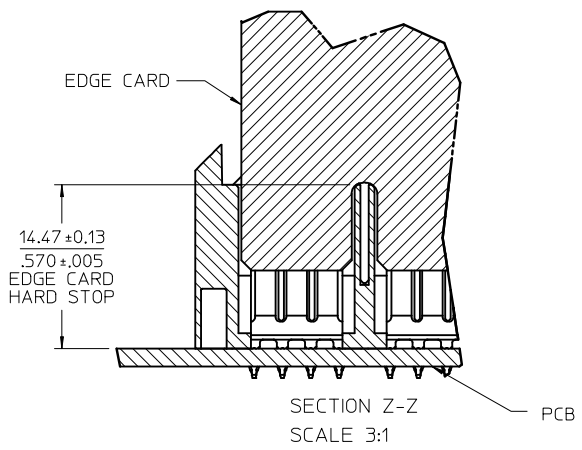


RECOMMENDED EDGE CARD LAYOUT

EDGE CARD THICKNESS:  
1.57/.062 ± 0.15/.006  
PLATING:  
GOLD 30 μ INCHES MIN.  
OVER 150 μ INCHES NICKEL.



PCB LAYOUT  
COMPONENT SIDE  
SEE SHT 1 FOR  
DIMENSIONS



<b>UPDATE NOTES</b> EC NO: S2016-1041 DRWN:ALIN06 2016/12/13 CHKD:JZENG 2016/12/15 APPR:KHLIM 2016/12/19	QUALITY SYMBOLS DESCRIPTION	GENERAL TOLERANCES (UNLESS SPECIFIED)		DIMENSION STYLE MM/IN	SCALE 3:1	DESIGN UNITS METRIC	THIRD ANGLE PROJECTION
		4 PLACES ± --- ± --- 3 PLACES ± --- ± .010 2 PLACES ± 0.25 ± --- 1 PLACE ± --- ± ---	DRAWN BY MKARADIMAS	DATE 2011/08/04	TITLE LPH VERTICAL RECEPTACLE		
		ANGULAR ±1/2°	CHECKED BY APATEL	DATE 2011/08/05	MOLEX INCORPORATED		
		DRAFT WHERE APPLICABLE MUST REMAIN WITHIN DIMENSIONS	APPROVED BY	DATE	MATERIAL NO. SEE CHART	DOCUMENT NO. SD-46114-100	SHEET NO. 3 OF 3

THIS DRAWING CONTAINS INFORMATION THAT IS PROPRIETARY TO MOLEX INCORPORATED AND SHOULD NOT BE USED WITHOUT WRITTEN PERMISSION