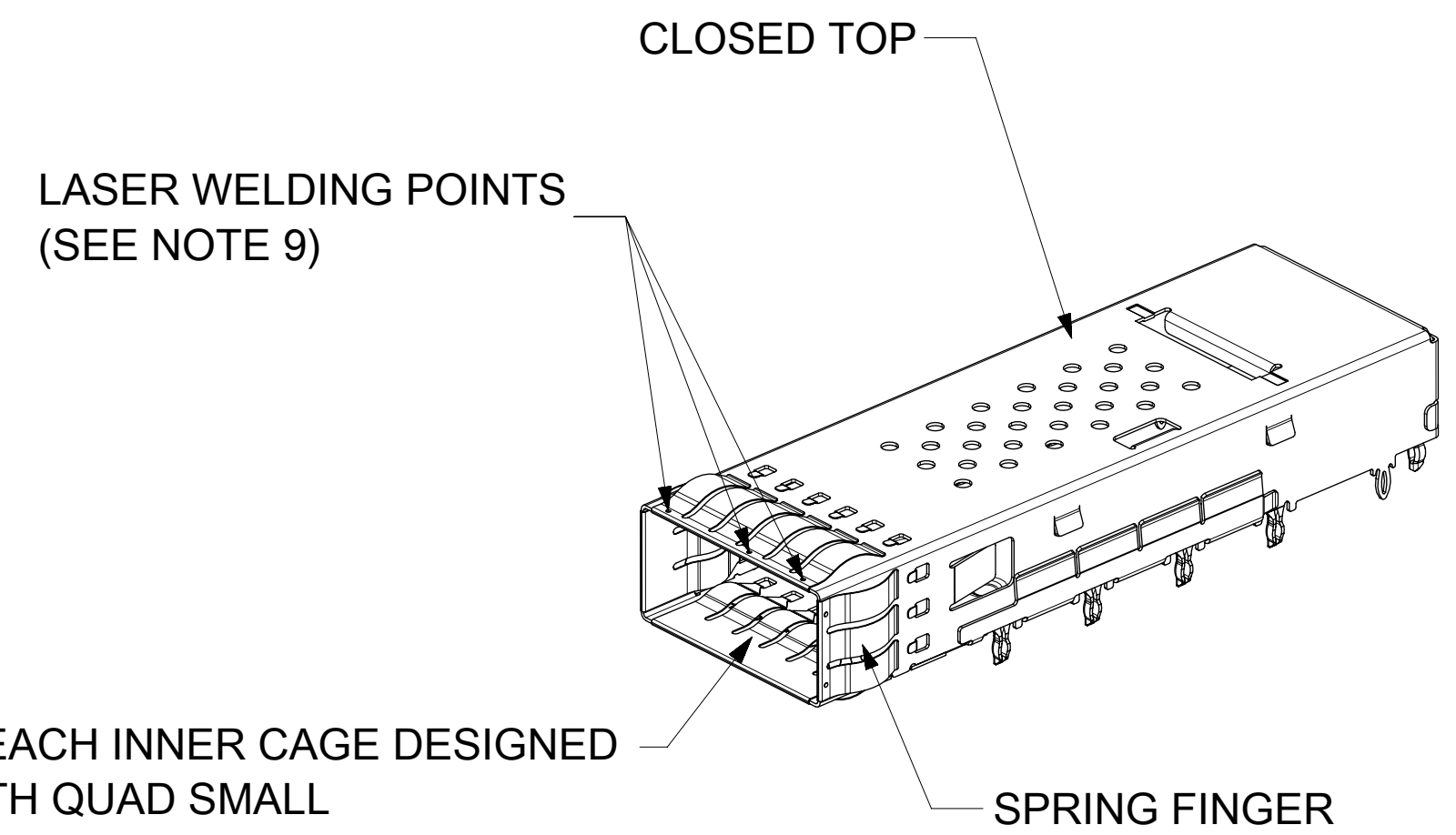
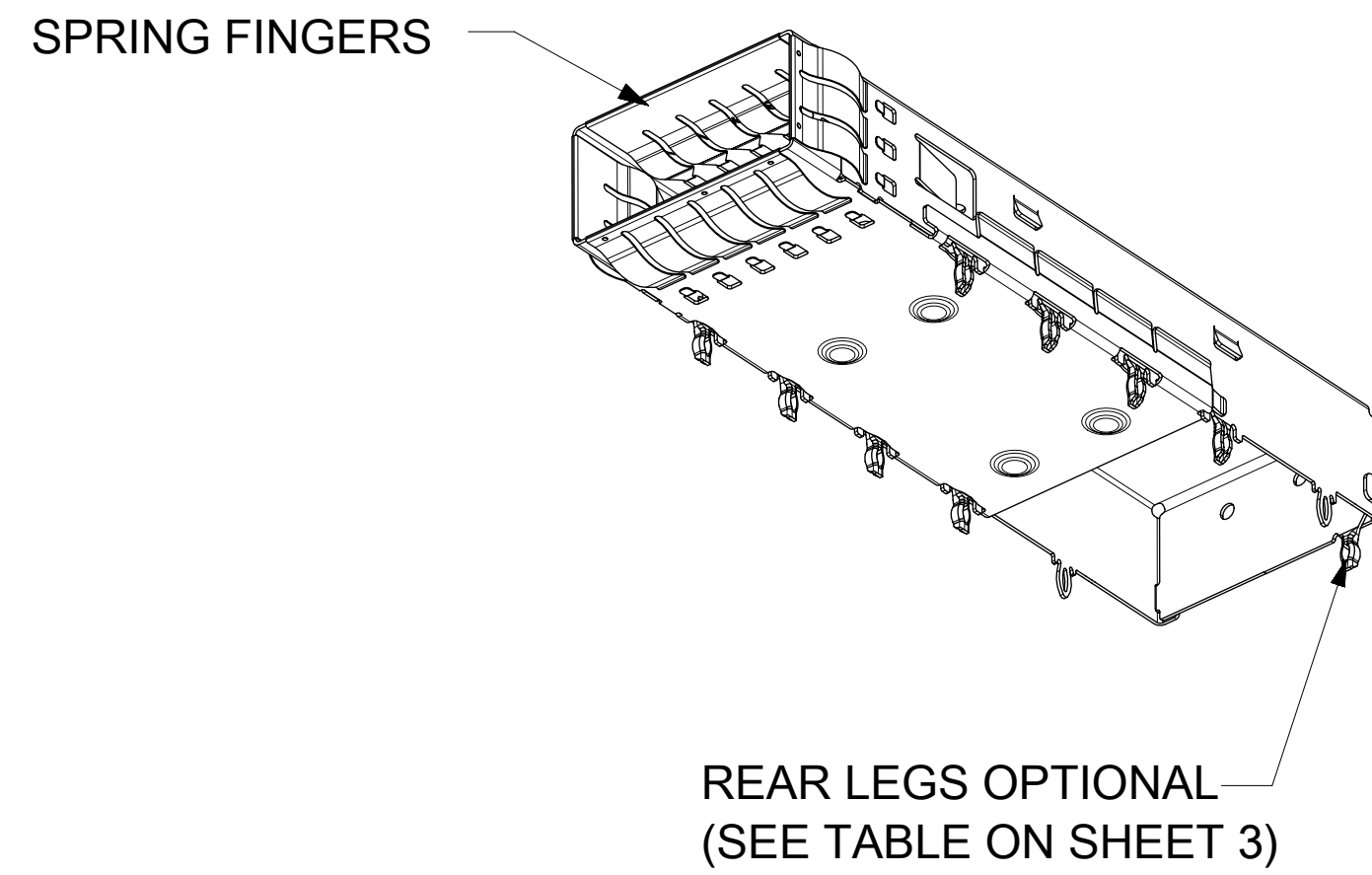
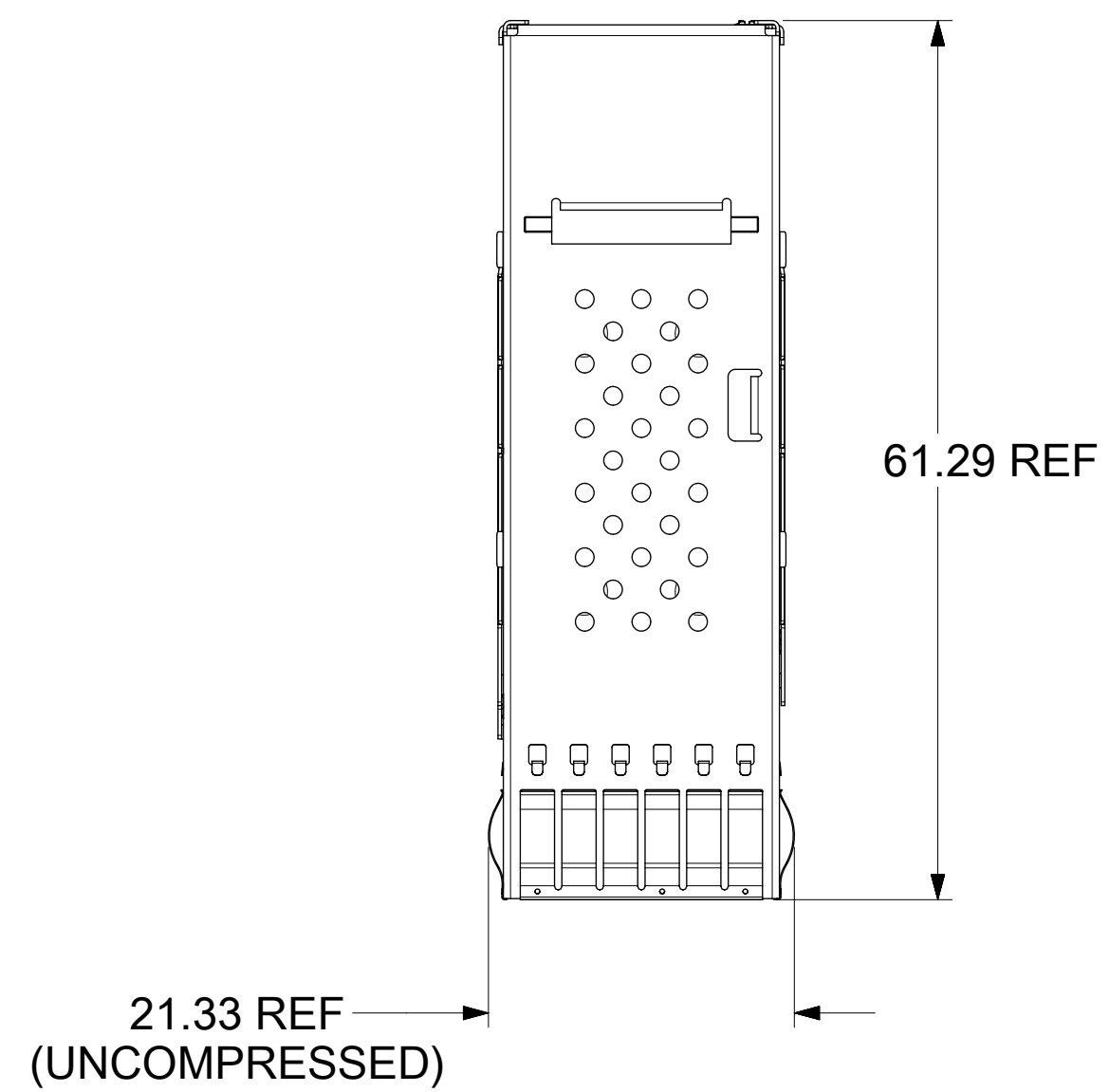


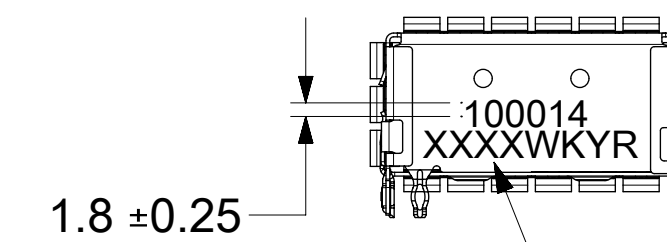
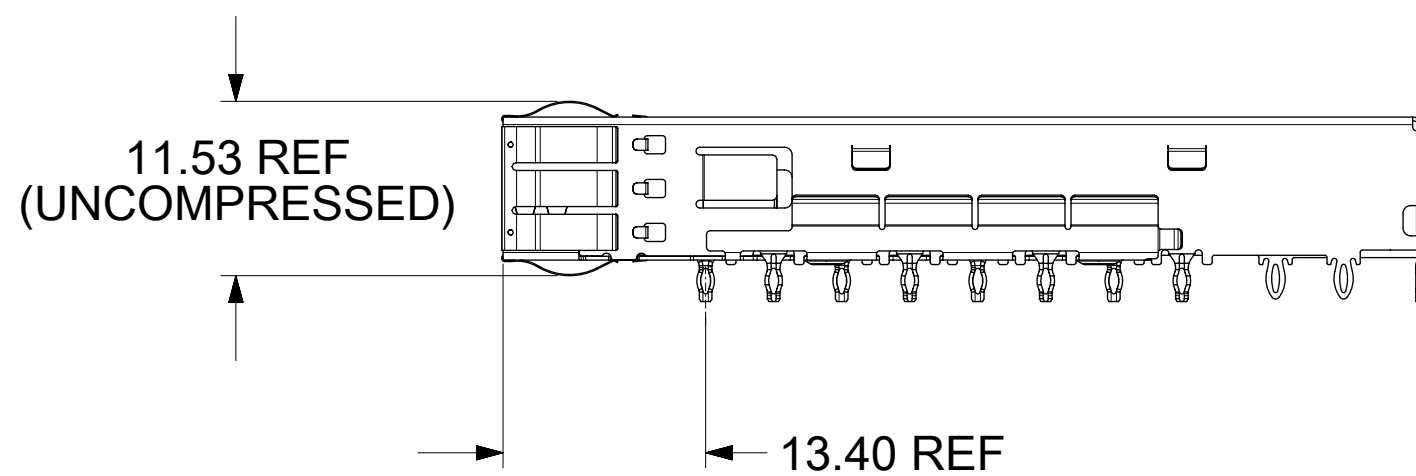
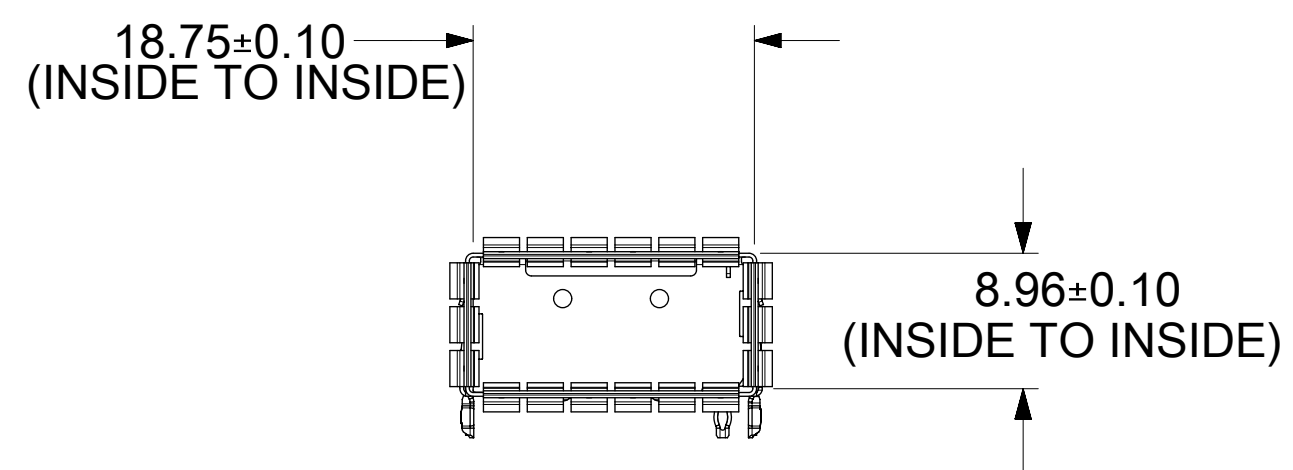
BASE CAGE DETAILS

1000143242

SHOWN



DIMENSIONS OF EACH INNER CAGE DESIGNED TO FUNCTION WITH QUAD SMALL FORM-FACTOR (zQSFP+) TRANSCEIVER



P/N AND WEEK/YEAR DATE CODE TO BE PRINTED ON BACK OF COMPLETED CAGE ASSEMBLY APPROXIMATELY AS SHOWN. SEE TABLE BELOW FOR DATE CODE INFORMATION.

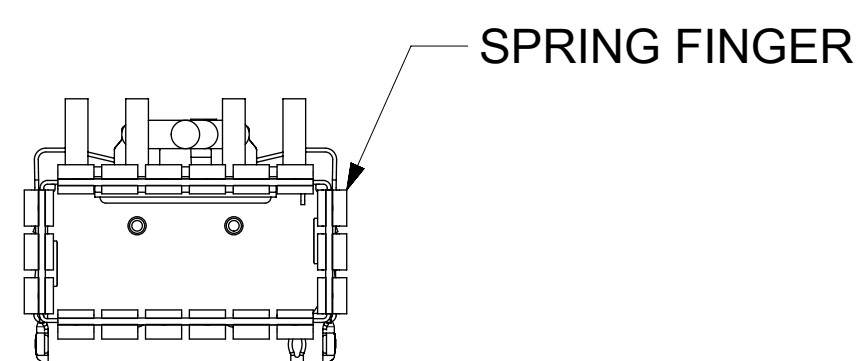
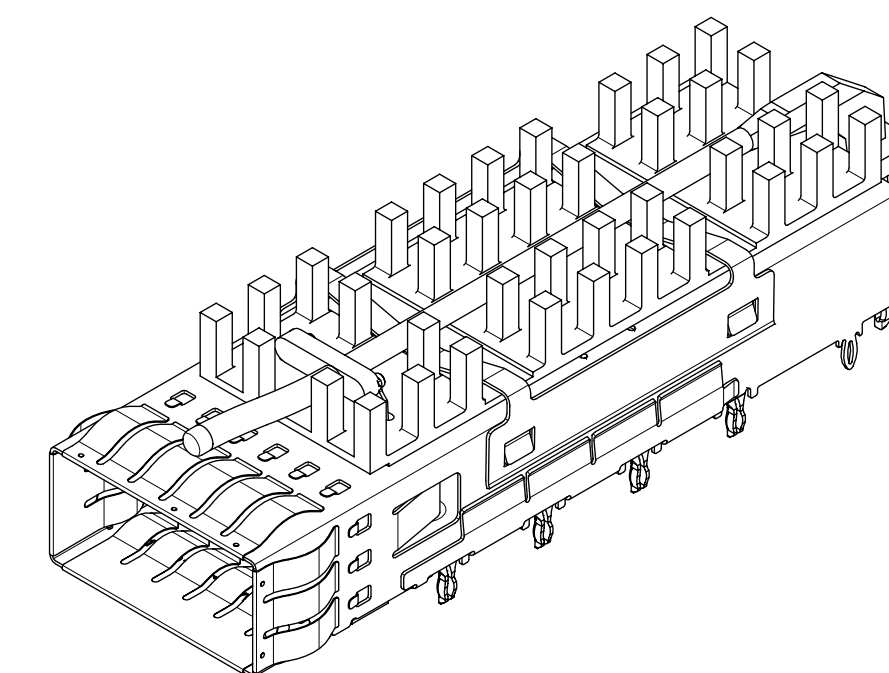
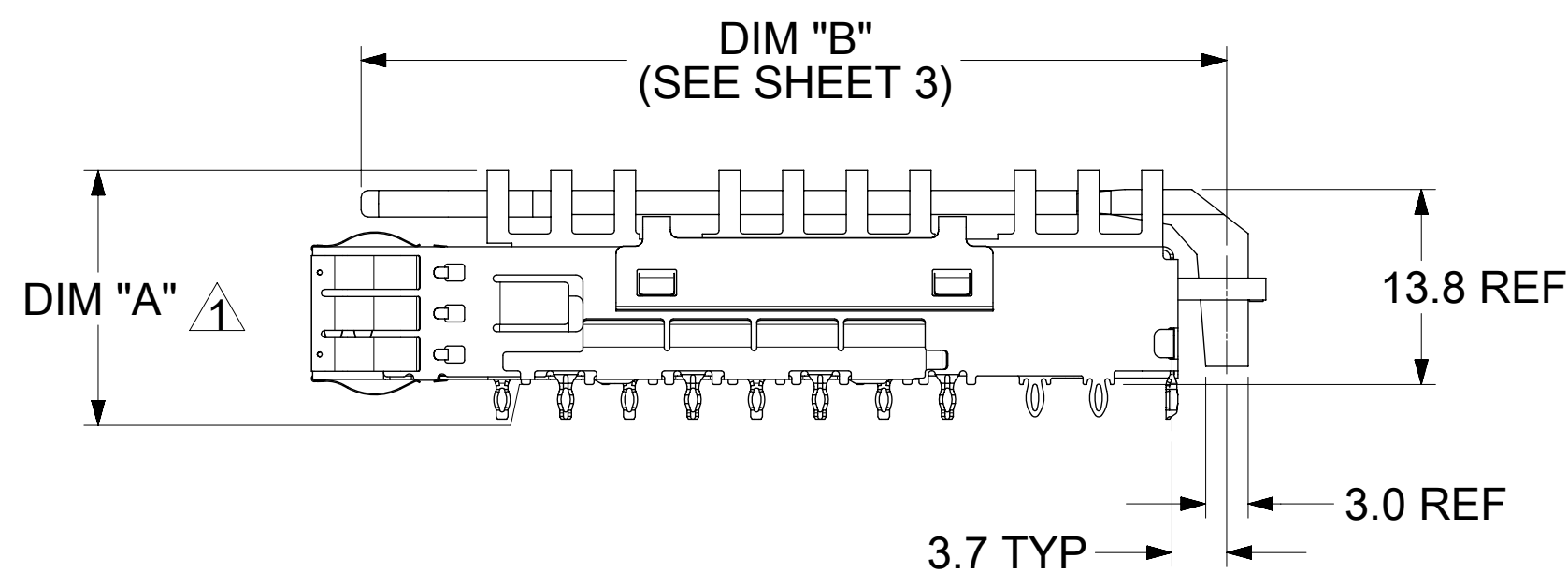
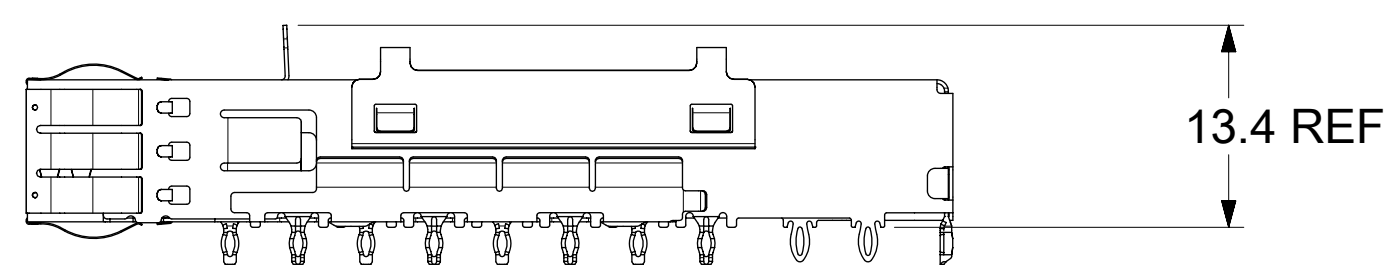
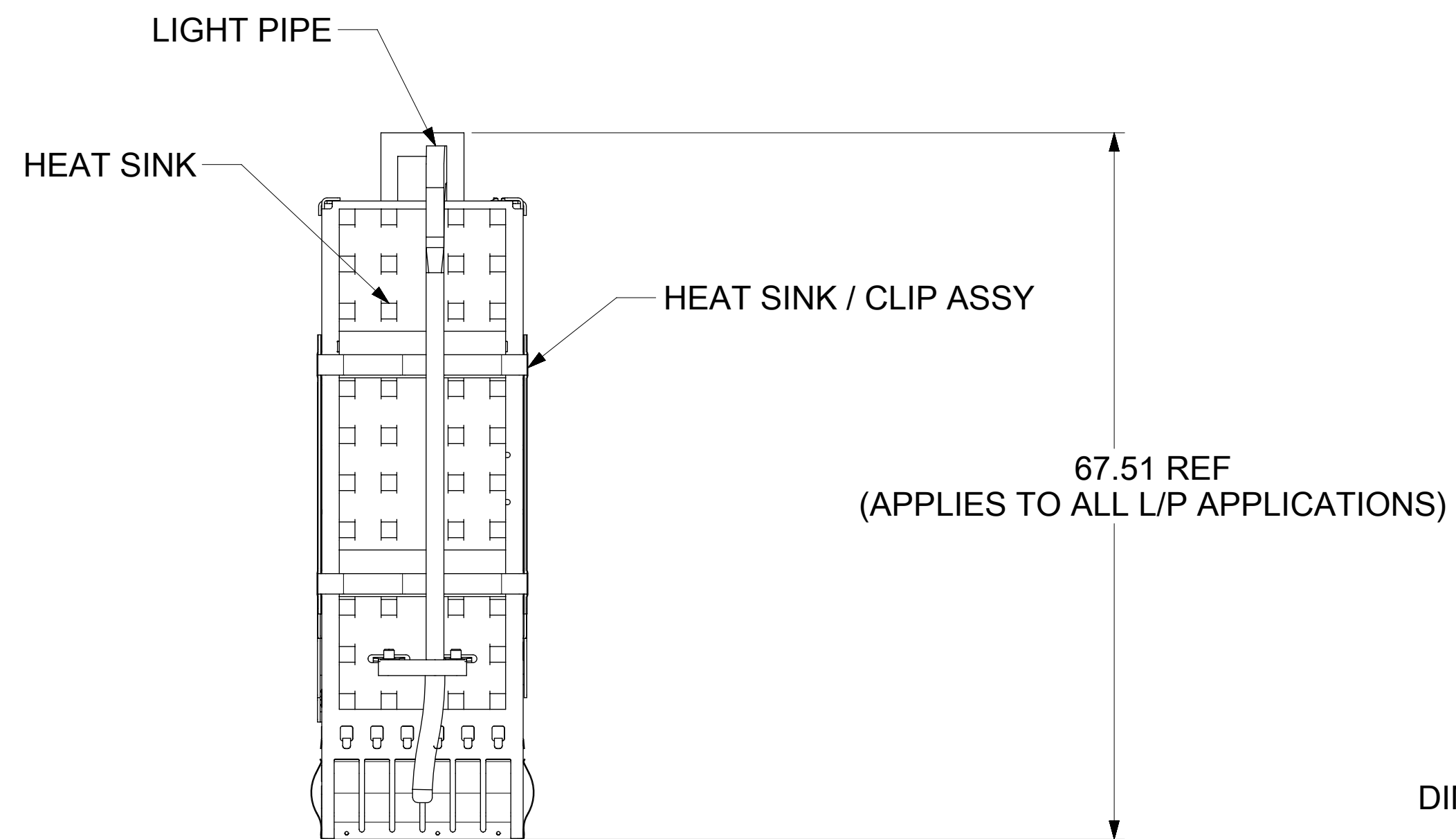
- NOTES:
- MATERIAL: CAGE: STAINLESS STEEL
 SPRING FINGERS: STAINLESS STEEL
 HEAT SINKS: NICKEL PLATED ALUMINUM
 HEAT SINK CLIP: STAINLESS STEEL
 LIGHT PIPES: POLYCARBONATE (UL 94-V-0)
 - DIMENSIONS MARKED ARE CRITICAL TO FUNCTION OF THE PART AND MUST BE INSPECTED
 - DRAWING APPLIES TO ALL P/N'S SHOWN ON PAGE 3
 - DURING FINAL INSPECTION, CAGE LEG LOCATIONS AND STRAIGHTNESS MUST BE CHECKED USING APPROPRIATE GO - NO GO GAGE
 - DURING FINAL INSPECTION, CAGE MUST BE INSPECTED TO MAKE SURE LEG CONFIGURATIONS AND PART NUMBERS ARE CORRECT, USE SHEETS 3, 4 AND 5
 - PARTS TO BE INSPECTED PER MOLEX COSMETIC SPEC WI-HP-7-2774 (CLASS B UNLESS OTHERWISE SPECIFIED)
 - PRESS-FIT LEGS 2.44 [0.096] LONG -
 1.57 [0.062] MINIMUM PCB THICKNESS FOR SINGLE SIDED USE.
 3.00 [0.118] MINIMUM PCB THICKNESS FOR BELLY TO BELLY USE.
 - NO RoHS EXEMPTIONS
 - WELD SPOTS MAY SHOW SLIGHT MATERIAL DISCOLORATION.

WEEK/YEAR DATE CODE TABLE										
WK	WEEK OF THE YEAR 01 THRU 52 (EXAMPLE: 01= FIRST WEEK OF YEAR 52= LAST WEEK OF YEAR)									
YR	22, 23, 24 ETC.. (EXAMPLE: YEAR 2022= 22)									
FUNCTIONAL SYMBOLS	THIS DRAWING CONTAINS INFORMATION THAT IS PROPRIETARY TO MOLEX ELECTRONIC TECHNOLOGIES, LLC AND SHOULD NOT BE USED WITHOUT WRITTEN PERMISSION									
	DIMENSION UNITS	SCALE	CURRENT REV DESC: SEE REVISION TABLE							<p>ZQSFP+ 1X1 CAGE ASSY'S W/ SUS TAB TYPE SPRING FINGER, H/S & L/P OPTIONS</p> <p>PRODUCT CUSTOMER DRAWING</p>
	mm	2:1								
	GENERAL TOLERANCES (UNLESS SPECIFIED)									
	ANGULAR TOL ± 2.0°									
	4 PLACES	±								
DIVISIONAL SYMBOLS	3 PLACES	±	EC NO: 698842							
	2 PLACES	± 0.15	DRWN: TKUMARKC 2022/02/17							
	1 PLACE	± 0.25	CHK'D: TKUMARKC 2022/03/16							
	0 PLACES	±	APPR: JCHIANG 2022/03/28							
DRAFT WHERE APPLICABLE MUST REMAIN WITHIN DIMENSIONS			THIRD ANGLE PROJECTION	DRAWING	SERIES	INITIAL REVISION:		DOCUMENT NUMBER	DOC TYPE	
				D-SIZE	100014	DRWN: TKUMARKC 2022/02/17		1000143200	PSD	
						APPR: JCHIANG 2022/03/28		AS Y	REVISION	
								A		
						GENERAL MARKET		SHEET NUMBER		
								1 OF 7		

CAGE ASSEMBLY OPTIONS

1000143541

SHOWN

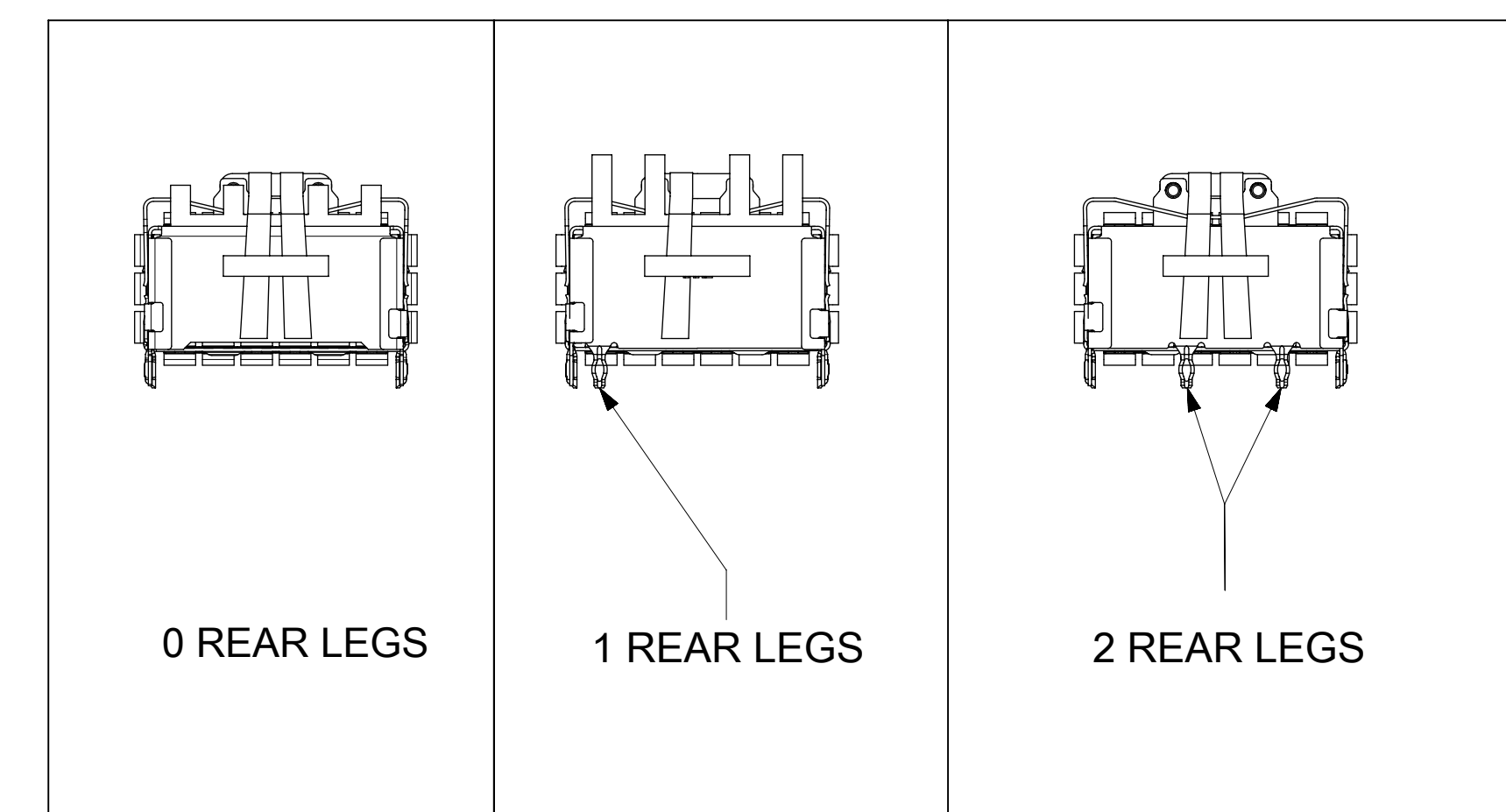


HEATSINK HEIGHT OPTIONS

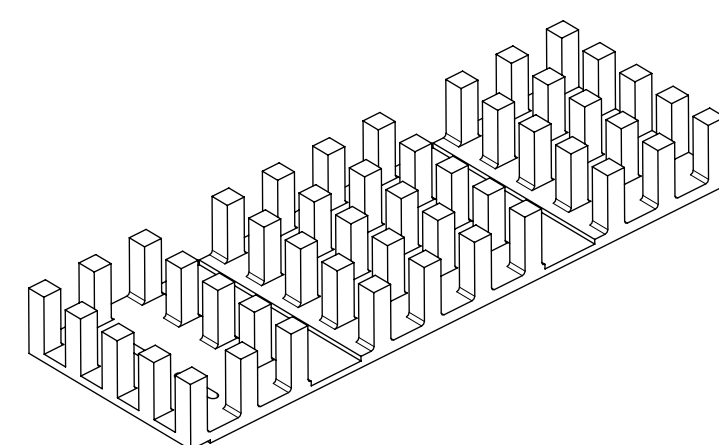
OVERALL HEAT SINK HEIGHT	DIM "A"
PCI	13.7 REF
SAN	16.0 REF
NET	23.0 REF

HEIGHT OF HEAT SINK WITH MODULE INSERTED. DIMENSION MAY BE LESS DUE TO MODULE AND HEAT SINK VARIATIONS

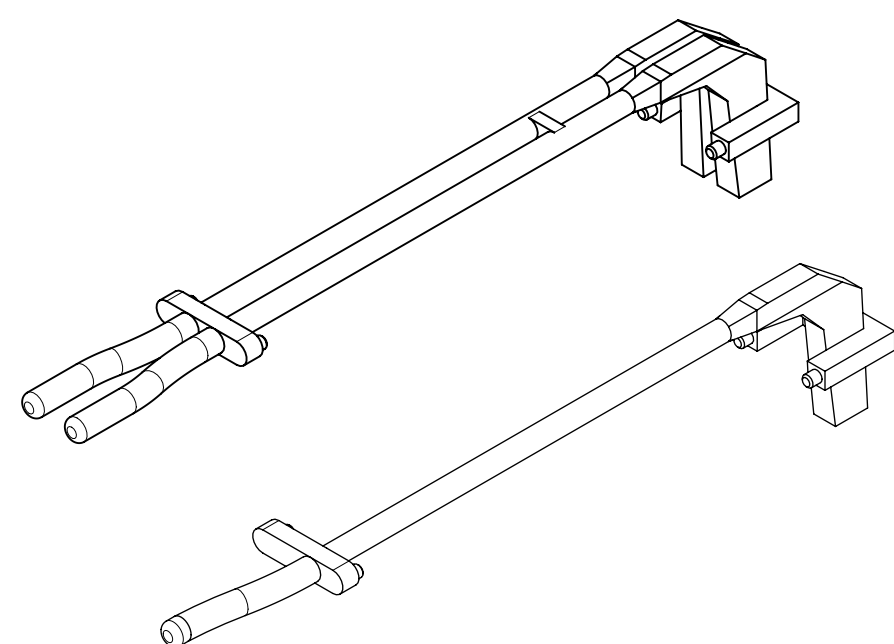
REAR LEG OPTIONS



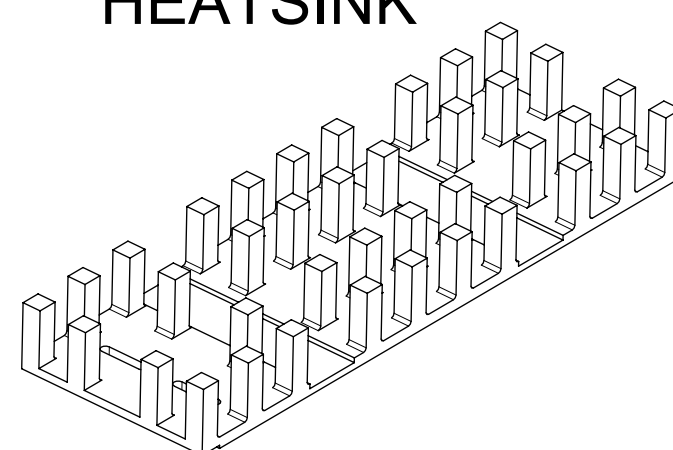
HEAT SINK USED WITHOUT LIGHTPIPE



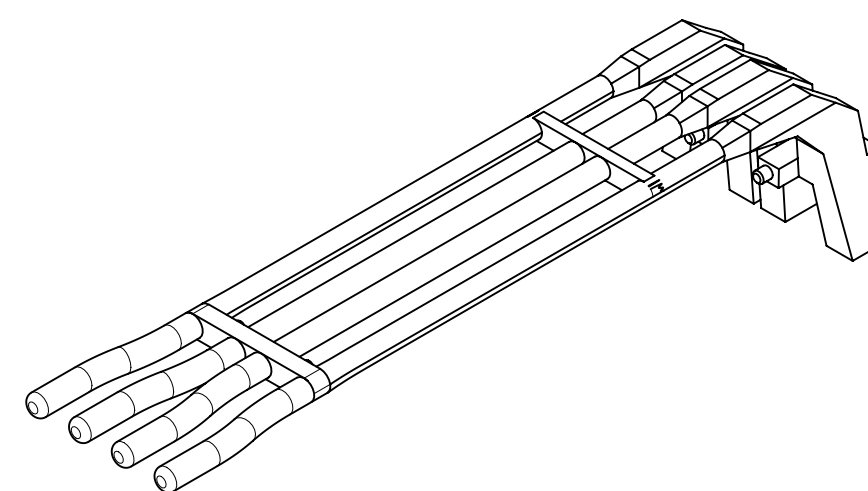
SINGLE / DUAL LIGHT PIPE



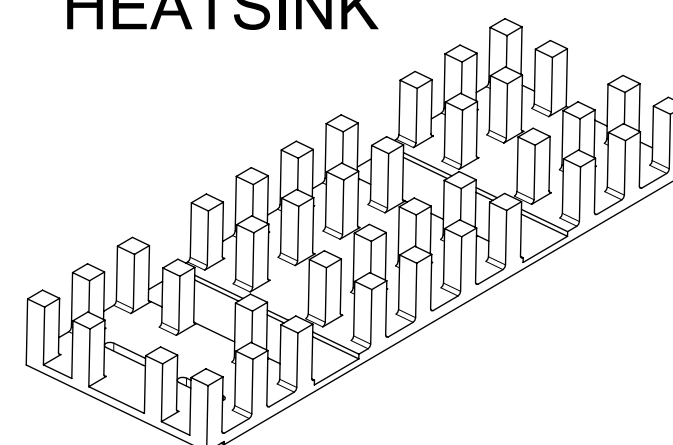
HEATSINK



QUAD LIGHT PIPE



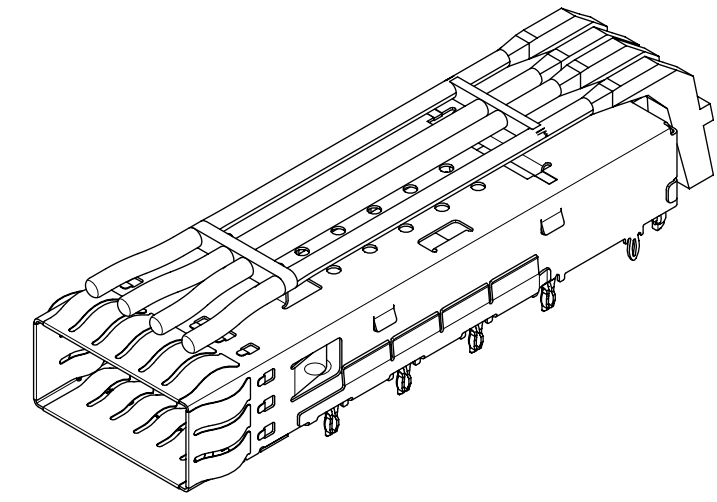
HEATSINK



FUNCTIONAL SYMBOLS $\nabla_A = 0$ $\nabla_C = 0$ $\nabla_D = 0$	THIS DRAWING CONTAINS INFORMATION THAT IS PROPRIETARY TO MOLEX ELECTRONIC TECHNOLOGIES, LLC AND SHOULD NOT BE USED WITHOUT WRITTEN PERMISSION		CURRENT REV DESC: SEE REVISION TABLE	
	DIMENSION UNITS	SCALE	EC NO: 698842	
	mm	2:1	DRWN: TKUMARKC	2022/02/17
	GENERAL TOLERANCES (UNLESS SPECIFIED)		CHK'D: TKUMARKC	2022/03/16
ANGULAR TOL $\pm 2.0^\circ$		APPR: JCHIANG	2022/03/28	
4 PLACES \pm		INITIAL REVISION:		
3 PLACES \pm		DRWN: TKUMARKC	2022/02/17	
2 PLACES ± 0.15		APPR: JCHIANG	2022/03/28	
1 PLACE ± 0.25				
0 PLACES \pm				
DRAFT WHERE APPLICABLE MUST REMAIN WITHIN DIMENSIONS		THIRD ANGLE PROJECTION	DRAWING	SERIES
			D-SIZE	100014
DOCUMENT STATUS		DOCUMENT NUMBER	CUSTOMER	SHEET NUMBER
P1	1000143200	GENERAL MARKET		2 OF 7

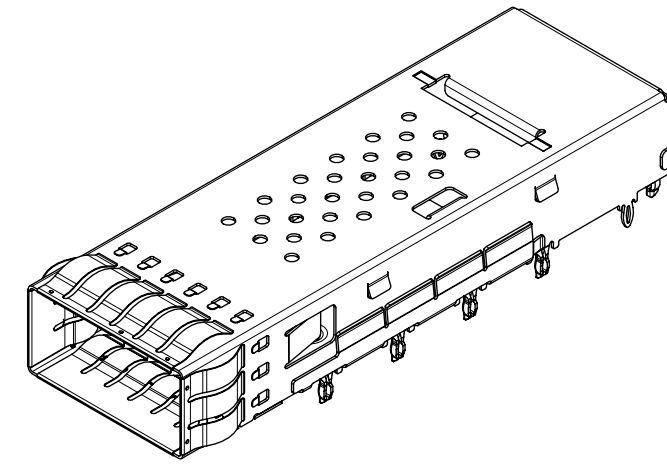
PART NUMBER SELECTION

NO HEATSINKS
WITH LIGHT PIPES
CLOSED TOP



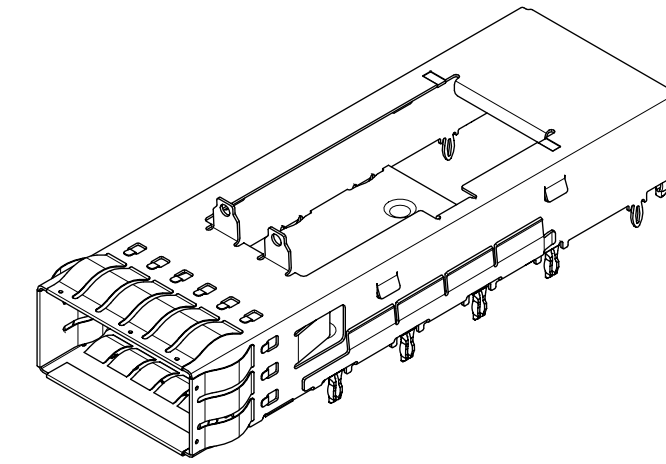
MOLEX P/N	LIGHT PIPES	#OF REAR LEGS PER PORT	DIM "B"
1000143235	QUAD	0	61.07 REF

NO HEATSINKS
NO LIGHT PIPES
CLOSED TOP



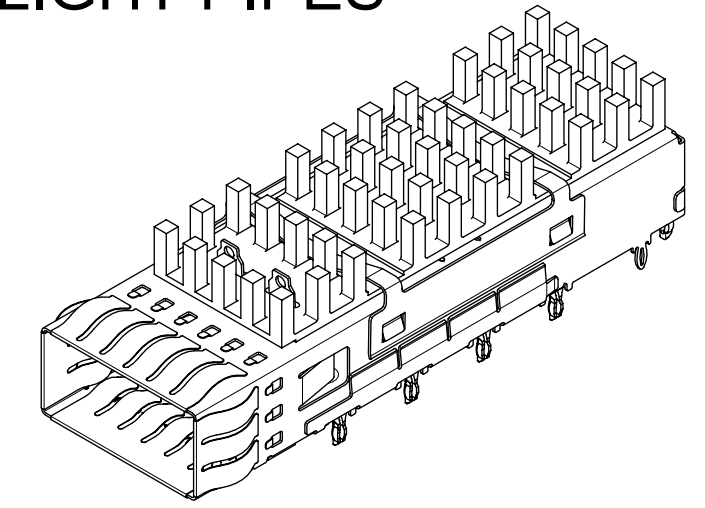
MOLEX P/N W/ SPRING FINGERS	#OF REAR LEGS PER PORT
1000143240	0
1000143242	1

NO HEATSINKS
NO LIGHT PIPES
OPEN TOP



MOLEX P/N W/ SPRING FINGERS	#OF REAR LEGS PER PORT	LP TAB FEATURE
1000143250	0	YES
1000143252	1	YES

WITH HEATSINKS
NO LIGHT PIPES



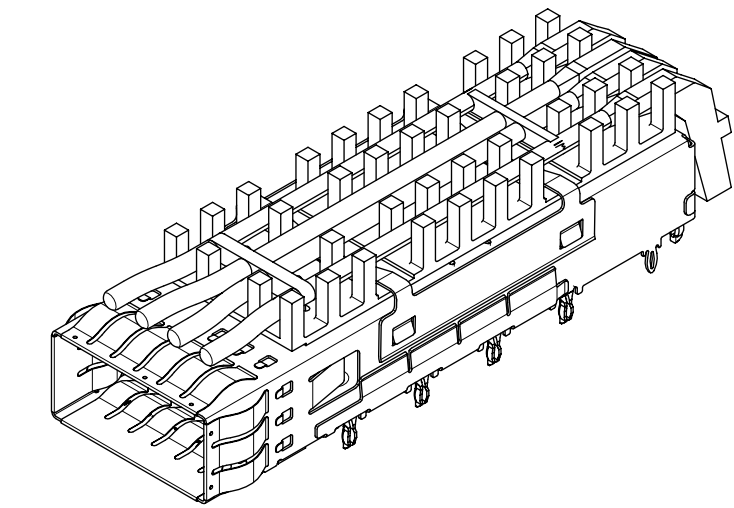
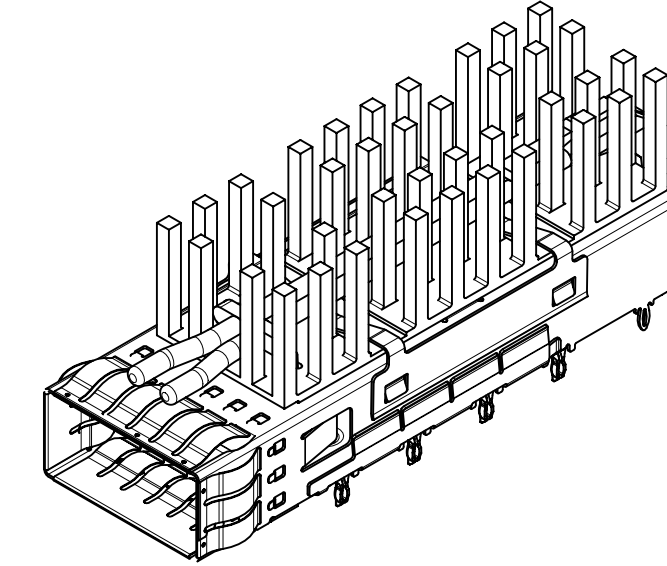
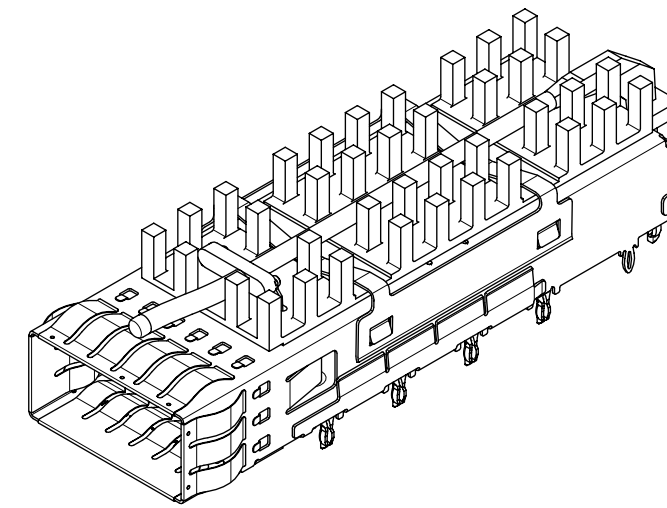
MOLEX P/N	HEATSINKS	#OF REAR LEGS PER PORT
1000143340	PCI	0
1000143341	SAN	0
1000143342	NET	0
1000143343	PCI	1
1000143344	SAN	1
1000143345	NET	1
1000143346	PCI	2

SINGLE LIGHT PIPE

DUAL LIGHT PIPE

QUAD LIGHT PIPE

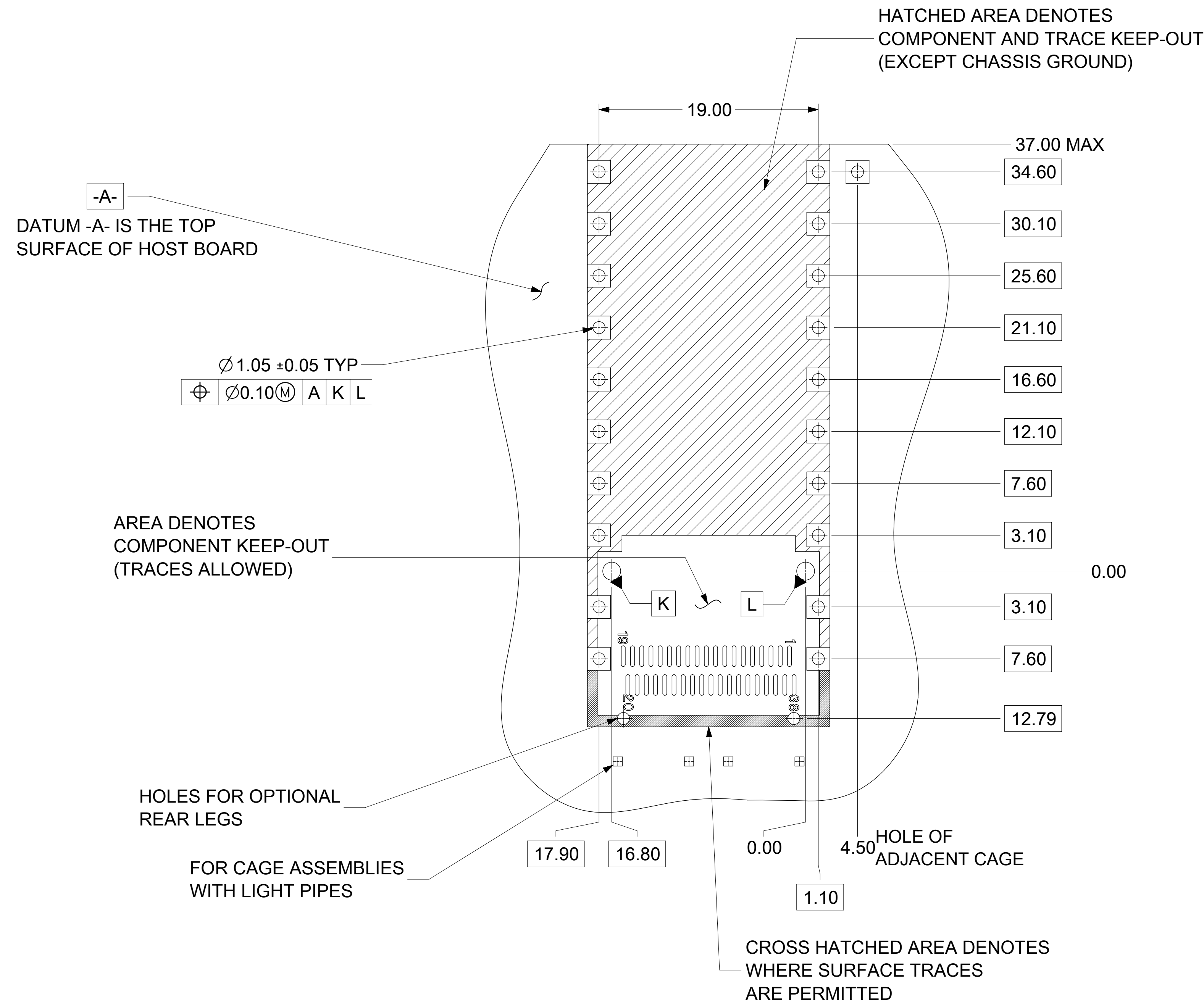
WITH HEATSINKS AND LIGHT PIPES



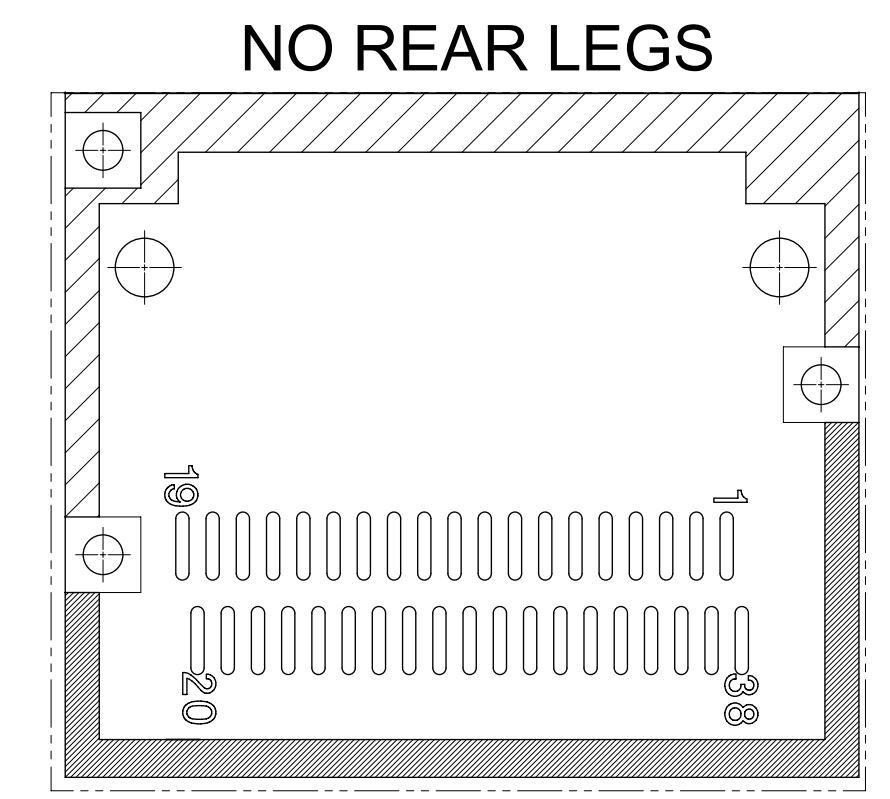
MOLEX P/N	LIGHTPIPES	HEATSINKS	#OF REAR LEGS PER PORT	DIM "B"
1000143442	SINGLE	NET	0	61.07 REF
1000143443	DUAL	PCI	0	61.07 REF
1000143445	DUAL	NET	0	61.07 REF
1000143447	QUAD	SAN	0	61.07 REF
1000149448	QUAD	NET	0	61.07 REF
1000143541	SINGLE	SAN	1	61.07 REF
1000143542	SINGLE	NET	1	61.07 REF
1000149547	QUAD	SAN	1	61.07 REF
1000143548	QUAD	NET	1	61.07 REF
1000143646	QUAD	PCI	2	61.07 REF

FUNCTIONAL SYMBOLS FA = 0 EC = 0 EP = 0 DIVISIONAL SYMBOLS	THIS DRAWING CONTAINS INFORMATION THAT IS PROPRIETARY TO MOLEX ELECTRONIC TECHNOLOGIES, LLC AND SHOULD NOT BE USED WITHOUT WRITTEN PERMISSION		CURRENT REV DESC: SEE REVISION TABLE	
	DIMENSION UNITS	SCALE	EC NO: 698842	
	mm	1.5:1	DRWN: TKUMARKC	2022/02/17
	GENERAL TOLERANCES (UNLESS SPECIFIED)		CHK'D: TKUMARKC	2022/03/16
ANGULAR TOL ± 2.0°		APPR: JCHIANG	2022/03/28	
4 PLACES ±		INITIAL REVISION:		
3 PLACES ±		DRWN: TKUMARKC	2022/02/17	
2 PLACES ± 0.15		APPR: JCHIANG	2022/03/28	
1 PLACE ± 0.25		DRAFT WHERE APPLICABLE		
0 PLACES ±		THIRD ANGLE PROJECTION		
MUST REMAIN WITHIN DIMENSIONS		DRAWING	SERIES	
		D-SIZE	100014	
		MATERIAL NUMBER	CUSTOMER	
		1000143200	GENERAL MARKET	
		DOC TYPE	DOC PART	
		PSD	ASY	
		REVISION	A	
		SHEET NUMBER	3 OF 7	

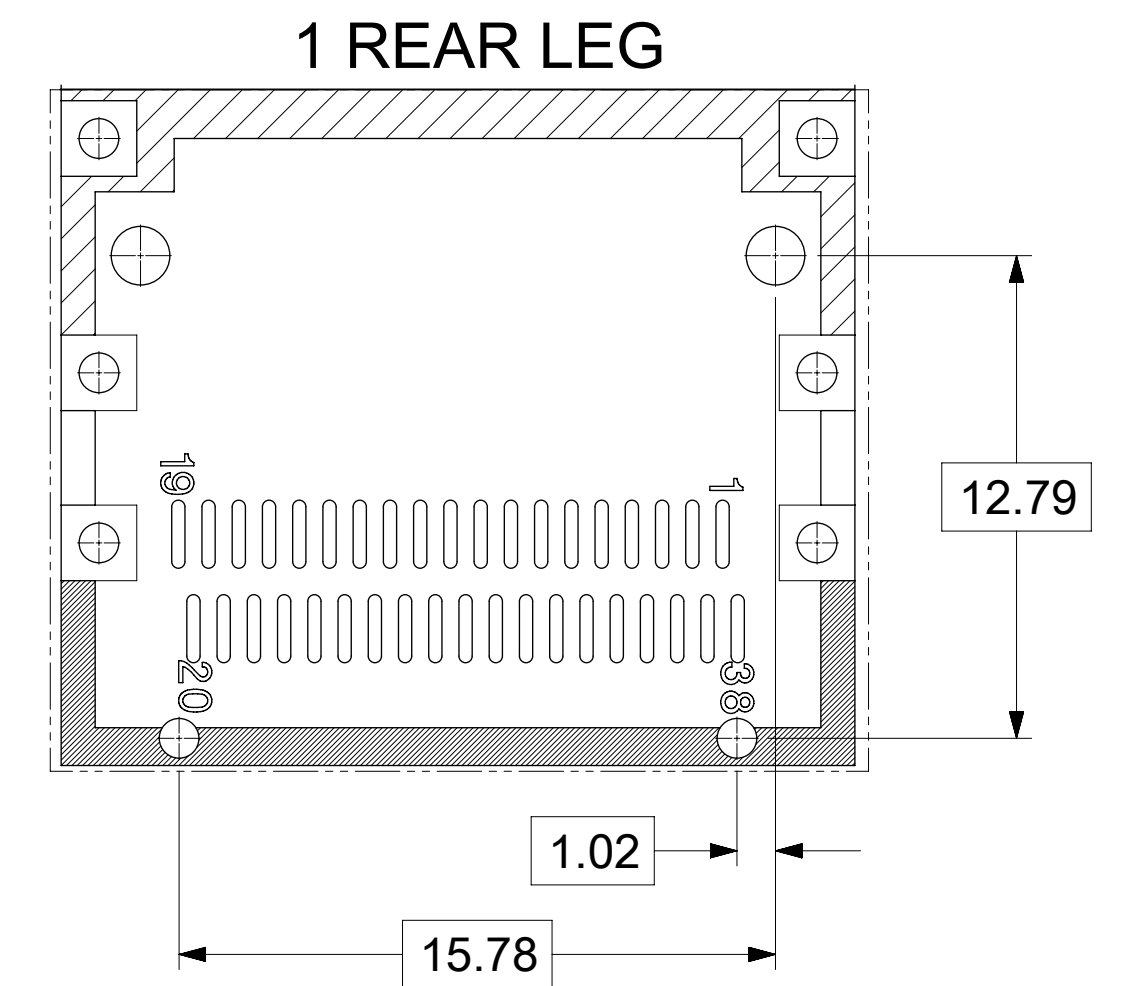
PCB LAYOUT FOR BELLY TO BELLY MOUNTING



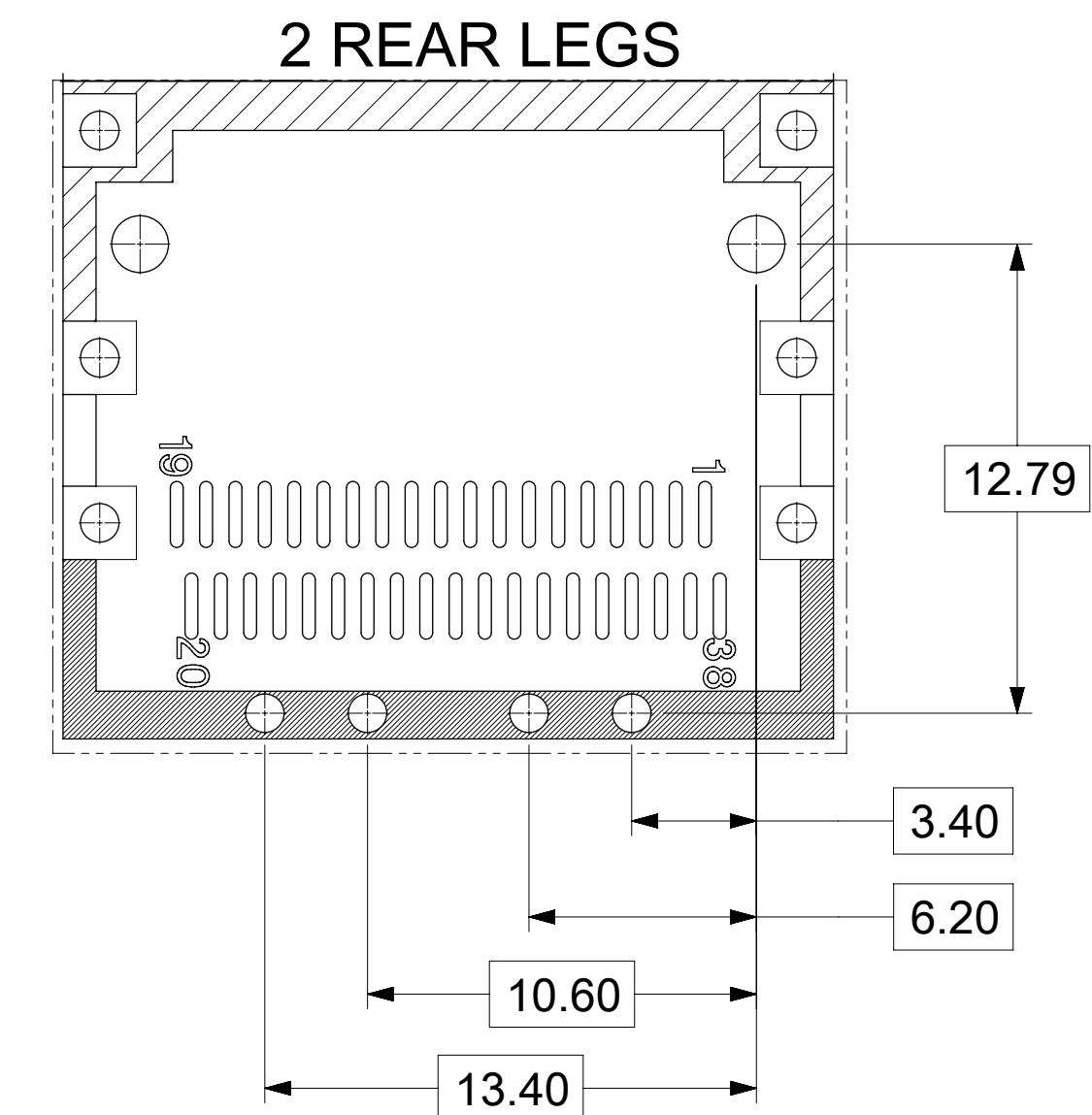
NOTE:
SEE SHEET 4 FOR
HOST CONNECTOR DETAIL
AND LED LOCATION DETAILS



PARTIAL 1
SCALE 5:1



PARTIAL 5
SCALE 5:1



PARTIAL 6
SCALE 5:1

- NOTES:
1. PADS AND VIAS GO TO CHASSIS GROUND. (RECOMMENDED PADS TO BE 2.00mm SQUARE.)
 2. RECOMMENDED THRU HOLE PLATING INCLUDES HASL, OSP, OR IMMERSION (GOLD, SILVER, OR TIN).
 3. CONNECTOR PAD LAYOUT PER SFF-8663 WILL ACCOMODATE MOLEX CONNECTOR SERIES 170432.

FUNCTIONAL SYMBOLS	THIS DRAWING CONTAINS INFORMATION THAT IS PROPRIETARY TO MOLEX ELECTRONIC TECHNOLOGIES, LLC AND SHOULD NOT BE USED WITHOUT WRITTEN PERMISSION		CURRENT REV DESC: SEE REVISION TABLE	
	FA = 0	mm	SCALE	4:1
DIVISIONAL SYMBOLS	GENERAL TOLERANCES (UNLESS SPECIFIED)			
	FC = 0	ANGULAR TOL ± 2.0°		
DIVISIONAL SYMBOLS	FP = 0	4 PLACES	±	
		3 PLACES	±	
		2 PLACES	±	0.15
		1 PLACE	±	0.25
		0 PLACES	±	
DRAFT WHERE APPLICABLE MUST REMAIN WITHIN DIMENSIONS		THIRD ANGLE PROJECTION	DRAWING	SERIES
			D-SIZE	100014
DOCUMENT STATUS		DOC NUMBER	CUSTOMER	SHEET NUMBER
P1	RELEASE DATE	1000143200	GENERAL MARKET	5 OF 7
2022/03/28	08:56:17			

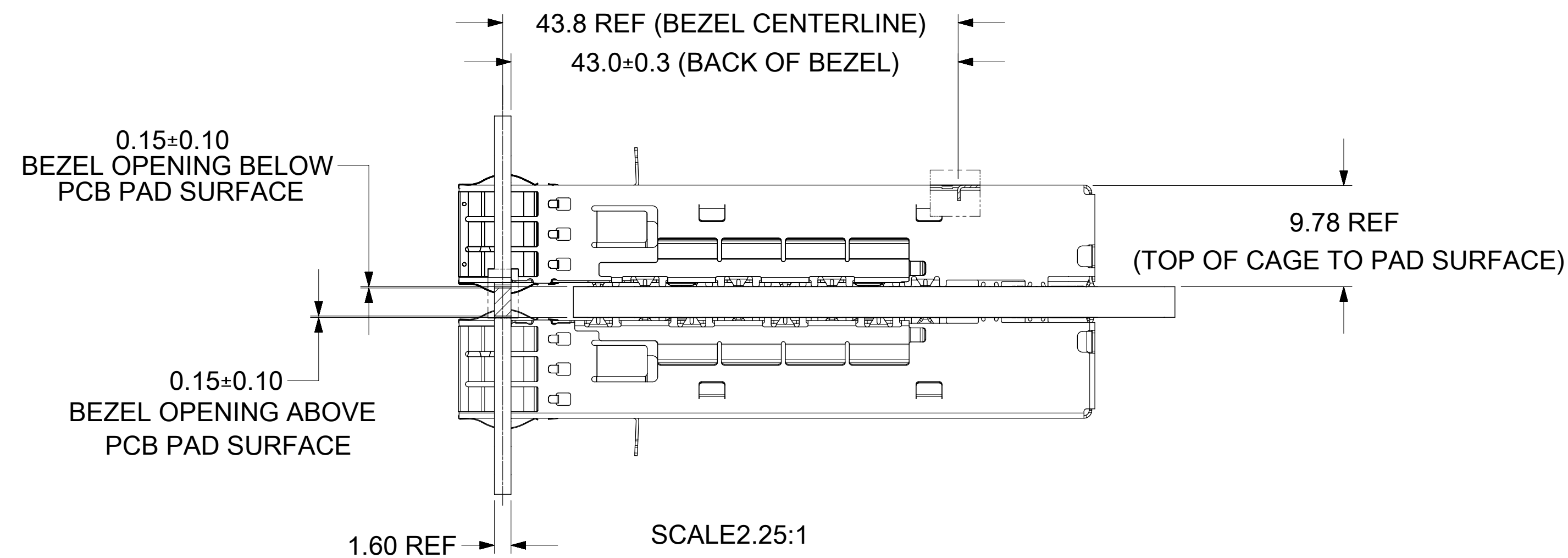
molex

ZQSFP+ 1X1 CAGE ASSY'S W/ SUS TAB TYPE
SPRING FINGER, H/S & L/P OPTIONS

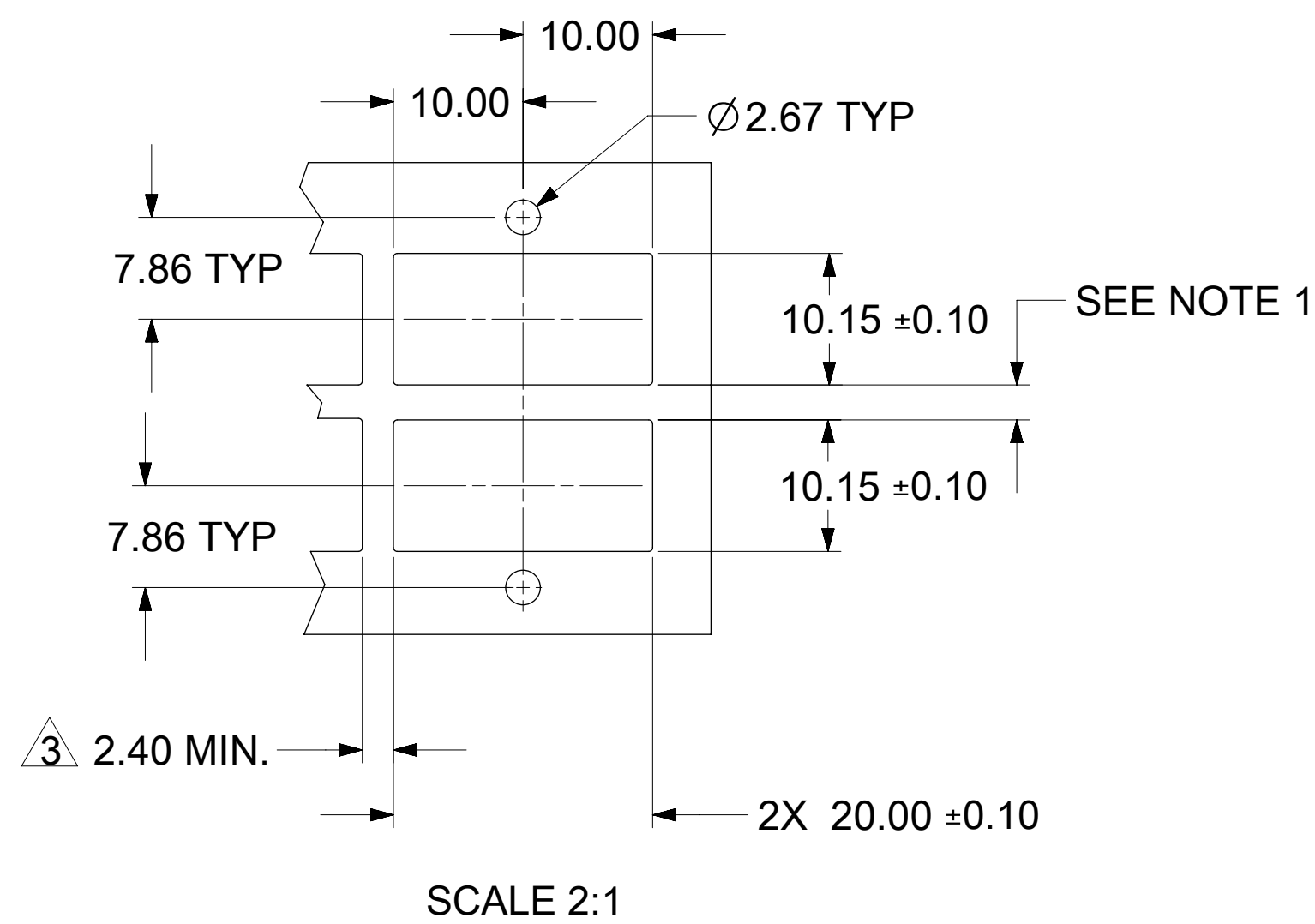
PRODUCT CUSTOMER DRAWING

DOCUMENT NUMBER: 1000143200
DOC TYPE: PSD
DOC PART: ASY
REVISION: A

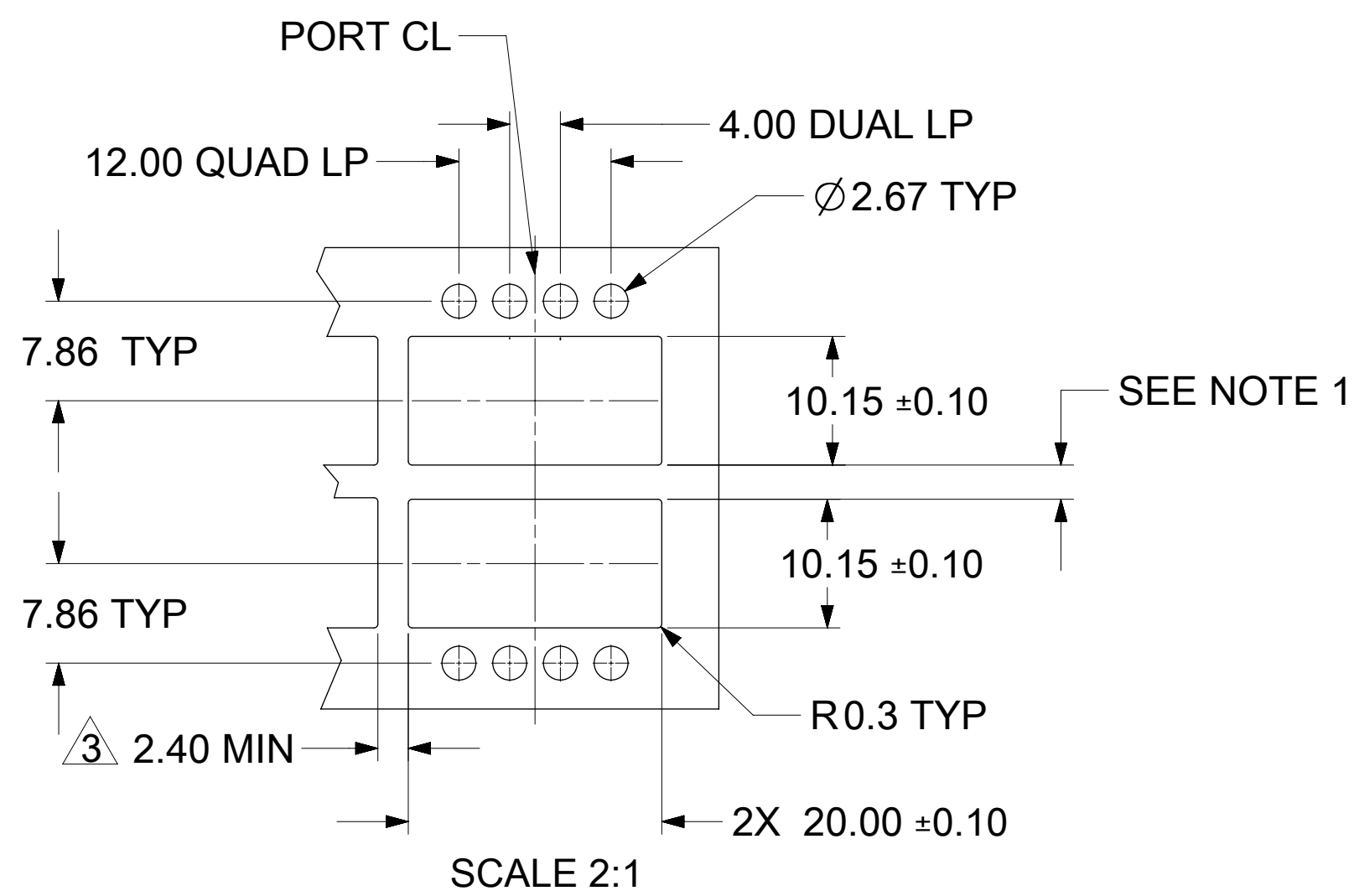
BEZEL AND BOARD POSITION DIMENSIONS FOR BELLY TO BELLY MOUNTING



SINGLE LIGHT PIPE ²

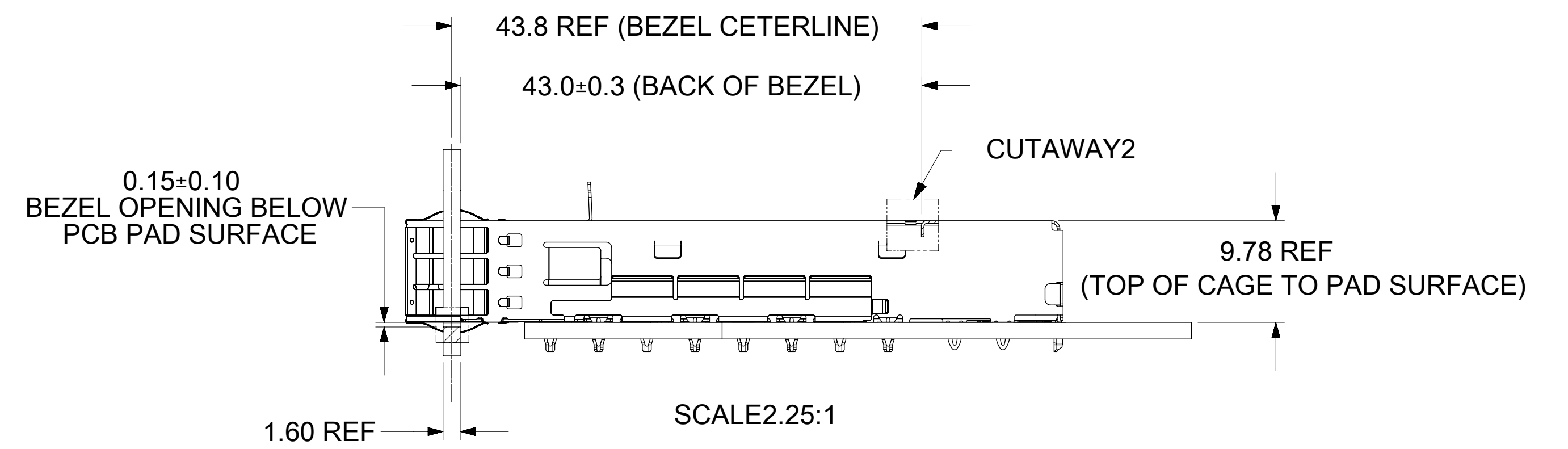


DUAL/QUAD LIGHT PIPE ²

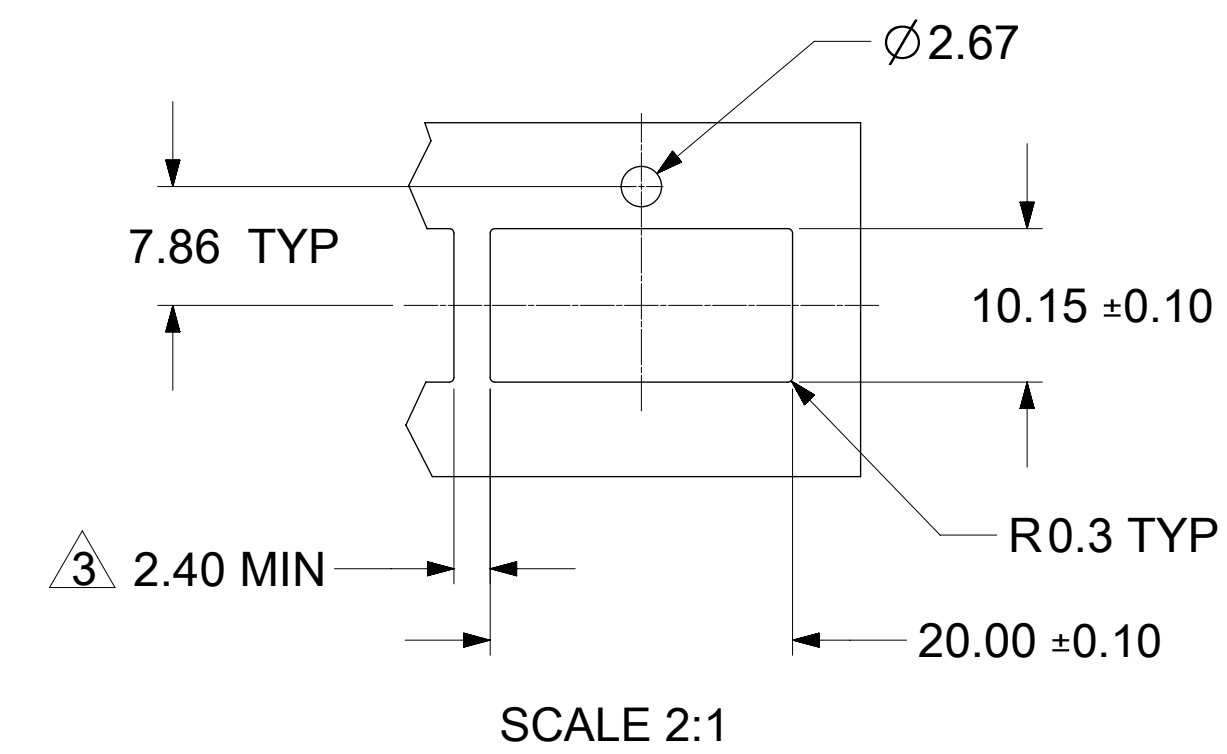


- NOTE:
1. PCB THICKNESS VARIATION MUST BE CONSIDERED WHEN DETERMINING BEZEL OPENING LOCATION.
 2. NOTED DIMENSIONS ONLY APPLY TO CAGE ASSEMBLIES WITH LIGHT PIPES.
 3. THIS DIMENSION IS FOR REFERENCE ONLY. USER CAN MODIFY IT DEPENDS ON APPLICATION. (THIS DIMENSION VARIES BASED ON DISTANCE OF "HOLE OF ADJACENT CAGE" ON PCB LAYOUT.)

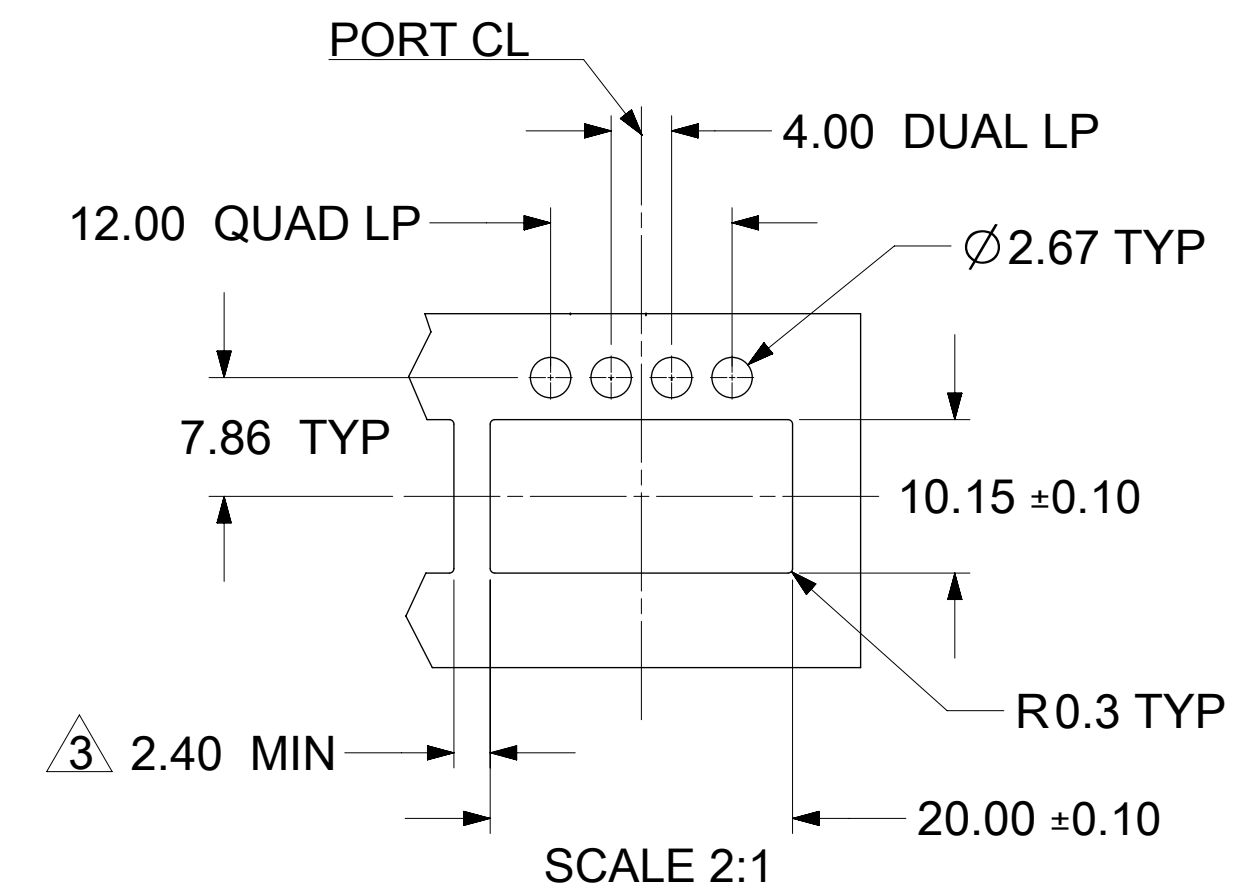
BEZEL AND BOARD POSITION DIMENSIONS FOR SINGLE SIDE MOUNTING



SINGLE LIGHT PIPE ²



DUAL/QUAD LIGHT PIPE ²



THIS DRAWING CONTAINS INFORMATION THAT IS PROPRIETARY TO MOLEX ELECTRONIC TECHNOLOGIES, LLC AND SHOULD NOT BE USED WITHOUT WRITTEN PERMISSION									
FUNCTIONAL SYMBOLS	DIMENSION UNITS	SCALE	CURRENT REV DESC: SEE REVISION TABLE						
$F_A = 0$	mm	2.5:1							
$F_C = 0$	GENERAL TOLERANCES (UNLESS SPECIFIED)								
$F_P = 0$	ANGULAR TOL	± 2.0°							
DIVISIONAL SYMBOLS	4 PLACES	±	EC NO: 698842						
	3 PLACES	±	DRWN: TKUMARKC 2022/02/17						
	2 PLACES	± 0.15	CHK'D: TKUMARKC 2022/03/16						
	1 PLACE	± 0.25	APPR: JCHIANG 2022/03/28						
	0 PLACES	±	INITIAL REVISION: DRWN: TKUMARKC 2022/02/17						
DRAFT WHERE APPLICABLE MUST REMAIN WITHIN DIMENSIONS		THIRD ANGLE PROJECTION	DRAWING	SERIES	MATERIAL NUMBER	CUSTOMER	SHEET NUMBER		
			D-SIZE	100014	1000143200	GENERAL MARKET	6 OF 7		

molex

ZQSFP+ 1X1 CAGE ASSY'S W/ SUS TAB TYPE SPRING FINGER, H/S & L/P OPTIONS

PRODUCT CUSTOMER DRAWING

DOCUMENT NUMBER	DOC TYPE	DOC PART	REVISION
1000143200	PSD	ASY	A

