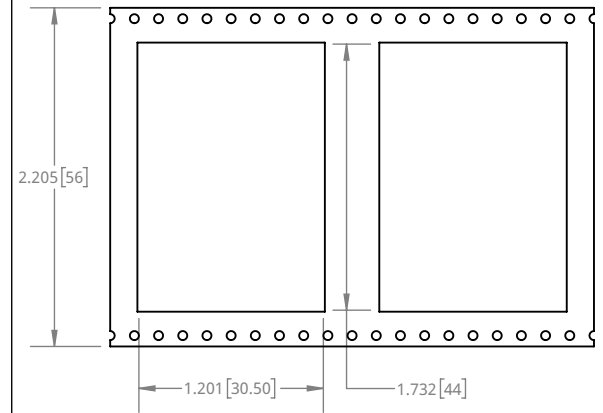
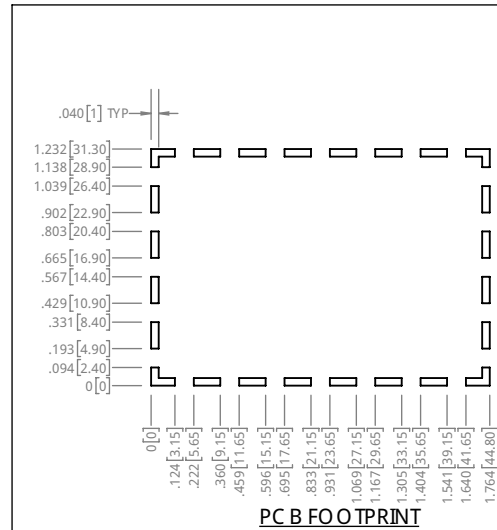
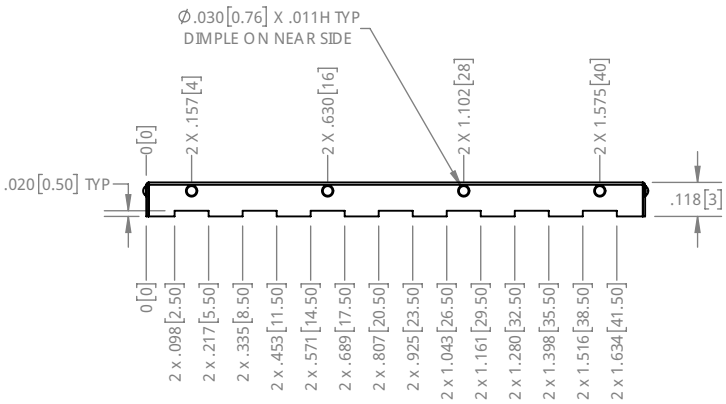
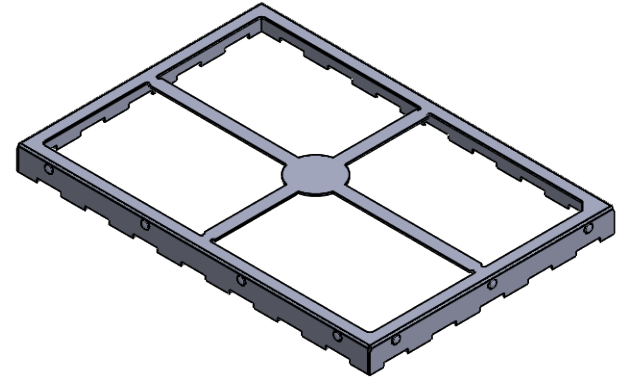
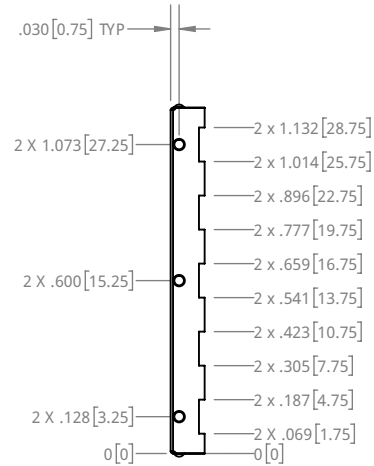
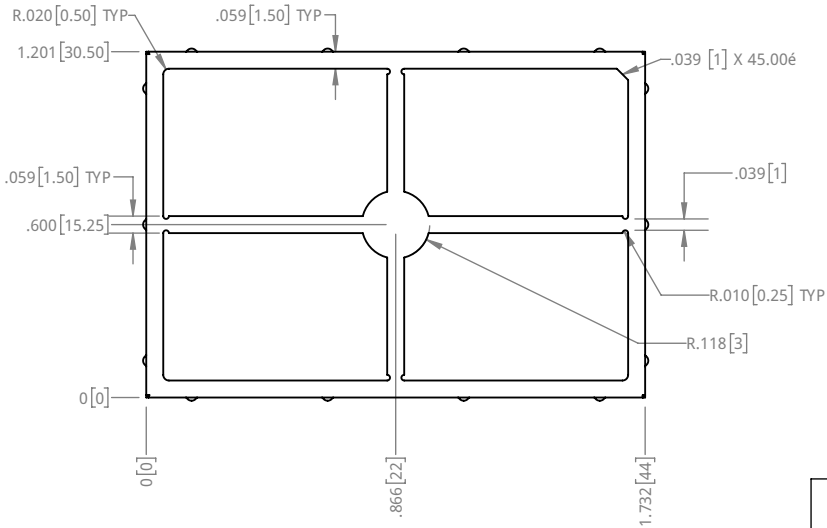


NOTES:

1. MATERIAL: 0.008" TIN PLATED STEEL PER ASTM A623/A624
2. PARTS PER REEL: 250



QE# 13482

PROPRIETARY NOTICE: THESE DRAWINGS, LISTS OR SPECIFICATIONS ARE THE CONFIDENTIAL INFORMATION AND/OR TRADE SECRETS OF 3G SHIELDING SPECIALTIES, P., AND SHALL REMAIN THE CONFIDENCE OF PROPRIETARY RIGHTS. NO PARTS, SPECIALTIES, OR MATERIALS, THEIR DRAWINGS, LISTS OR SPECIFICATIONS SHALL NOT BE REPRODUCED, TRANSMITTED, USED FOR THE PHYSICAL MANUFACTURE OR SALE OF EQUIPMENT OR USED FOR ANY OTHER PURPOSE OTHER THAN EVALUATION.

UNLESS OTHERWISE SPECIFIED
U/M INCHES
TOLERANCE ±0.005

ROHS COMPLIANCE 2011/65/EU

DATE 16-11-08



PART NUMBER PIC-56-210F	REV. 0
DESCRIPTION SHIELD FRAME	
SCALE 1.5:1	SHEET 1 OF 1