

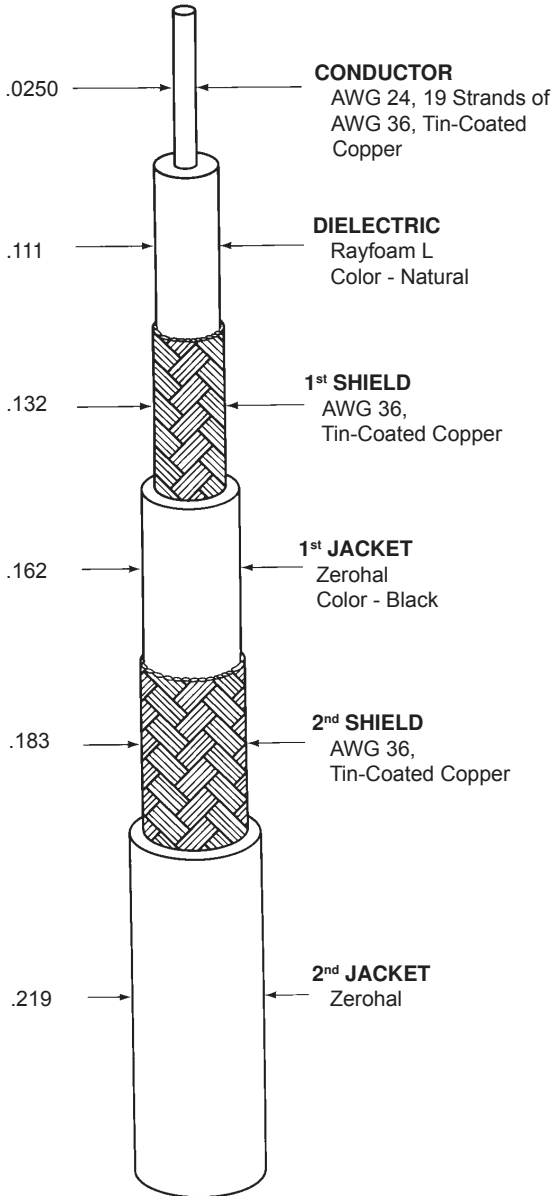
<b>SPECIFICATION CONTROL DRAWING</b>	<b>7524D5811</b>
--------------------------------------	------------------

<b>CHEMINAX</b>	75 OHM, AWG 24, 19 STRANDS OF AWG 36, TRIAXIAL CABLE	Date	2-19-08
		Revision	B

THIS SPECIFICATION SHEET FORMS A PART OF THE LATEST ISSUE OF RAYCHEM SPECIFICATION 1200.

<b>CONSTRUCTION DETAILS</b>	<b>ELECTRICAL CHARACTERISTICS</b>
-----------------------------	-----------------------------------

DIMENSIONS ARE NOMINAL VALUES IN INCHES UNLESS OTHERWISE DESIGNATED.



CHARACTERISTIC IMPEDANCE	75 ± 3 ohms, Method B
CAPACITANCE	17.4 pF/ft. (nominal) at 1 kHz
VELOCITY OF PROPAGATION	78% (nominal)

**ADDITIONAL REQUIREMENTS**

<b>ELECTRICAL</b>	
CONDUCTOR RESISTANCE	24.8 ohms/1000 ft. (nominal)
INSULATION RESISTANCE (CONDUCTOR TO SHIELD)	10,000 megohms (minimum) for 1000 ft.
JACKET FLAWS	
SPARK TEST	1.0 kV (rms)
IMPULSE TEST	6.0 kV (peak)
VOLTAGE WITHSTAND	
CONDUCTOR TO SHIELD	1000 volts (rms) (minimum)
SHIELD TO SHIELD	500 volts (rms) (minimum)

<b>ENVIRONMENTAL</b>	
FLAMMABILITY	Method B
HEAT SHOCK	225°C
LOW TEMPERATURE-COLD BEND	-30°C/6.00 inch mandrel
VOLTAGE WITHSTAND (Post Environmental)	1000 volts (rms), 1 minute

<b>PHYSICAL</b>	
INSULATION (DIELECTRIC)	
ELONGATION	50% (minimum)
TENSILE STRENGTH	1000 lbf/in <sup>2</sup> (minimum)
JACKET (EACH)	
ELONGATION	150% (minimum)
TENSILE STRENGTH	1200 lbf/in <sup>2</sup> (minimum)
1 <sup>st</sup> JACKET THICKNESS	.015 inch (nominal)
2 <sup>nd</sup> JACKET THICKNESS	.018 inch (nominal)
SHIELD COVERAGE (EACH)	90% (minimum)

Outer jacket color will be black (designated by a "-0" appended to the part number, e.g. 7524D5811-0) unless otherwise specified.

Designate outer jacket color with a dash number in accordance with MIL-STD-681. Other codes and suffixes may be added to the part number, as necessary, to capture any additional requirements imposed by the purchase order.

WEIGHT	36.2 lbs/1000 ft. (nominal)
--------	-----------------------------

Users should evaluate the suitability of this product for their application. Specifications are subject to change without notice. Tyco Electronics also reserves the right to make changes in materials or processing, which do not affect compliance with any specification, without notification to Buyer.

The TE logo, Tyco Electronics, Cheminax, Raychem, Rayfoam and Zerohal are trademarks.



**Raychem Wire & Cable**  
501 Oakside Avenue  
Redwood City, California 94063-3800  
1-800-227-8816 Fax: 1-650-361-6297

THIS SPECIFICATION SHEET TAKES PRECEDENCE OVER DOCUMENTS REFERENCED HEREIN. REFERENCED DOCUMENTS SHALL BE OF THE ISSUE IN EFFECT ON DATE OF INVITATION FOR BID.