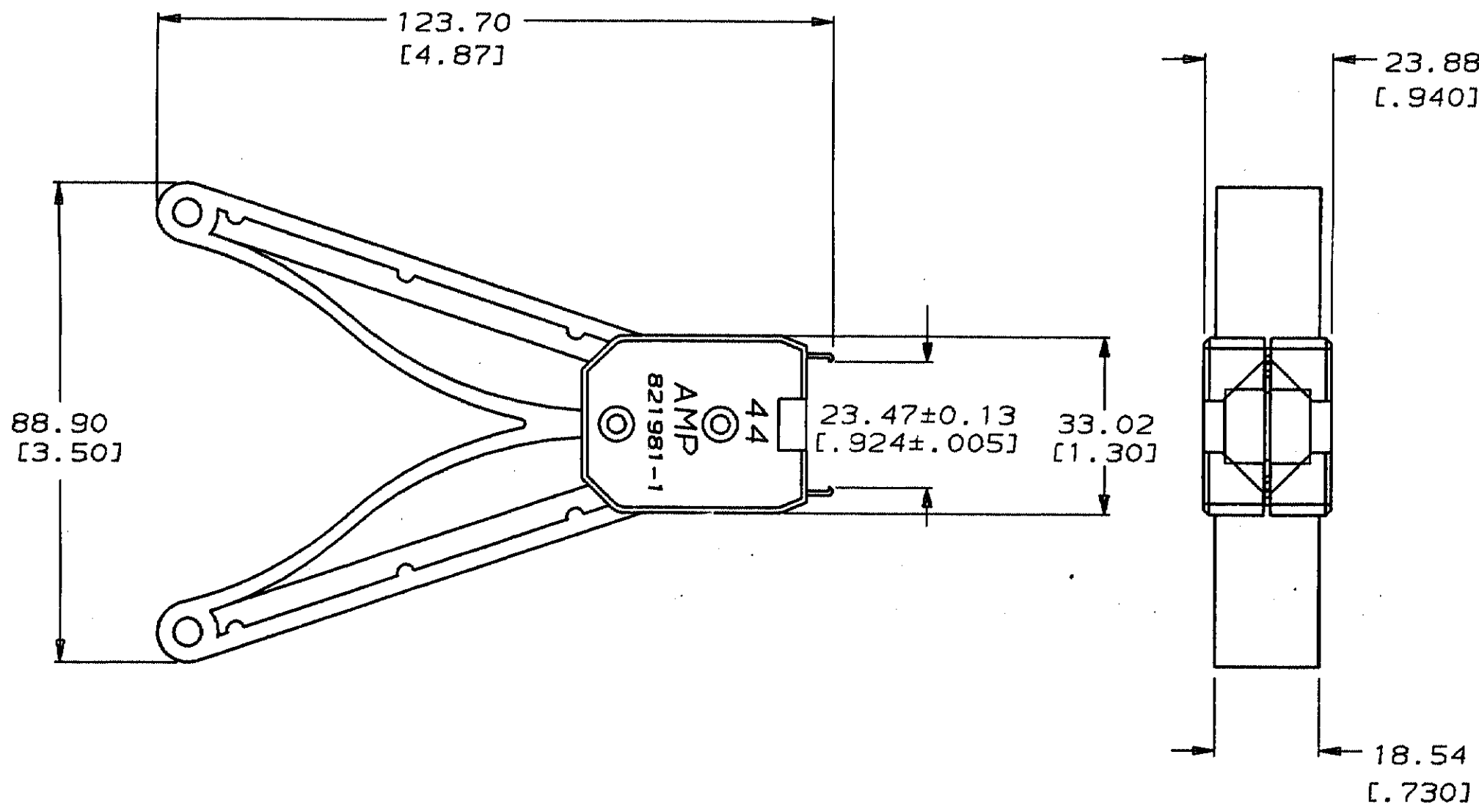


THIS DRAWING IS UNPUBLISHED. RELEASED FOR PUBLICATION, 19 .  
 © COPYRIGHT 19 BY AMP INCORPORATED. ALL INTERNATIONAL RIGHTS RESERVED.

LOC	DIST	REVISIONS				
AG	53	P	F	ZONE	LTR	
					B	
DESCRIPTION					DATE	APPD
REVISED PER AG-3047					10-27-92	PC CV



821981-1 SHOWN

DO NOT SCALE PRINT. UNLESS SPECIFIED DIMENSIONS IN mm [INCHES] TOLERANCES ON: 2 PLC DEC ± 0.2 [.01] 3 PLC DEC ± 0.25 [.010] ANGLES ± -		DR 8-1-91 C. WHITT	PART NO	
MATERIAL HANDLE- POLYACETAL END CAPS- POLYACETAL HOOK- STAINLESS STEEL 1.07±0.08 [.042±.003] THK	CHK 8-1-91 R. MILLER	AMP AMP Incorporated Harrisburg, PA 17105-3608		
FINISH HANDLE- COLOR, BLUE END CAPS- COLOR, BLUE	APPD 8-7-91 K. KREIDLER	NAME TOOL, EXTRACTION, PLCC, 44 POSN.		
	APPD -	SIZE B	CAGE CODE 00773	DRAWING NO 821981
	PRODUCT SPEC -	SCALE 1:1	SHEET - OF -	
	APPLICATION SPEC -	WEIGHT -		