

PRODUCT DESCRIPTION CODE :

10155449-111 LF

RoHS COMPATIBLE, LEAD FREE

FOR CUSTOMER CODE :
BLANK = GENERAL USE

APPLICABLE AWG, SEE NOTE 1

PLATING :

1 = 3µm MIN MATTE TIN (POST-PLATED)
ALL OVER 1.27µm MIN Ni UNDERLAYER

3 = 0.76µm MIN GOLD (CONTACT AREA)
ALL OVER 1.27µm MIN Ni UNDERLAYER

NOTES

- 1 - APPLICABLE AWG
 - 1- AWG #22
 - 2- AWG #26-28
 - 3- AWG #24

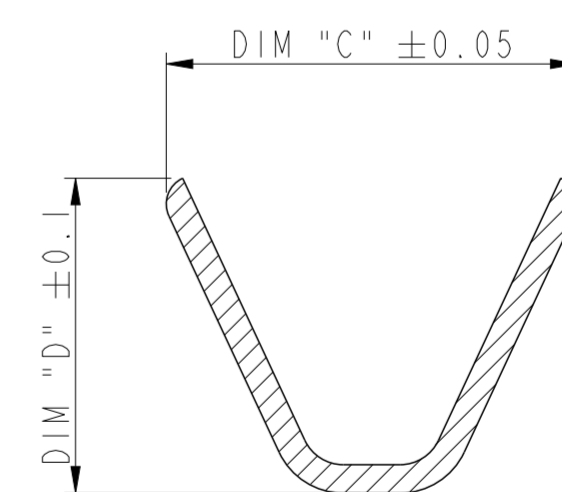
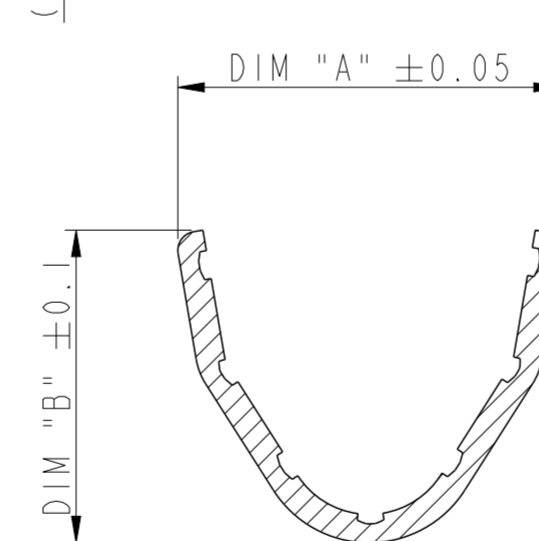
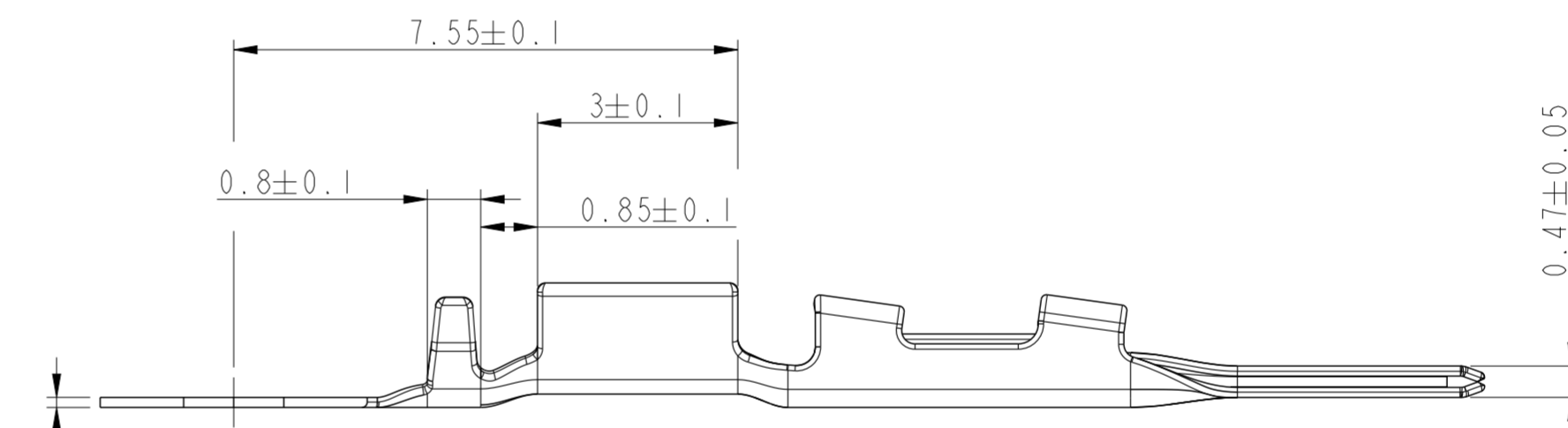
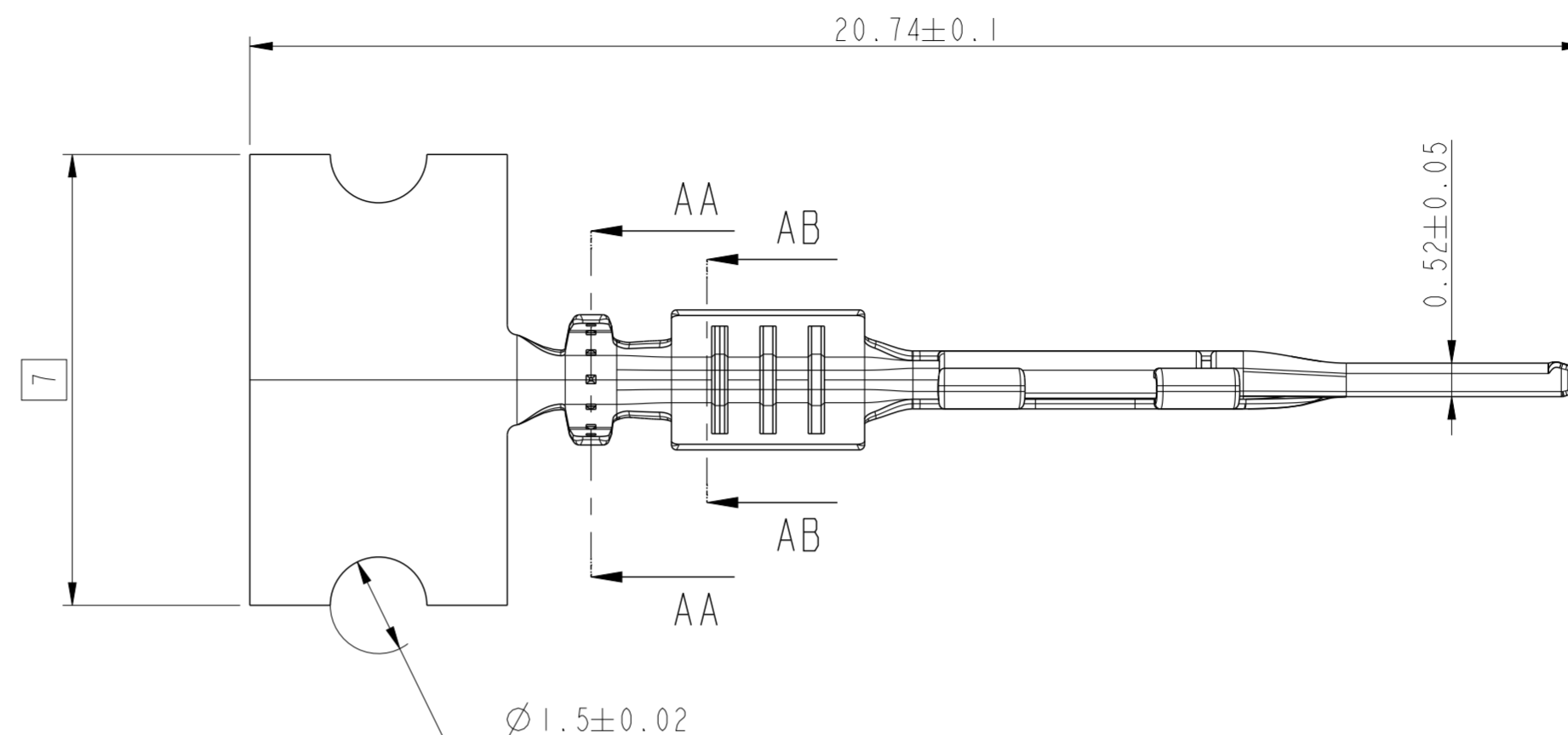
2 - PRODUCT SPECIFICATION : GS-12-1634

3 - APPLICATION SPECIFICATION : GS-20-0657

4 - PACKAGING SPECIFICATION : GS-14-2777
15.000 PCS/REEL

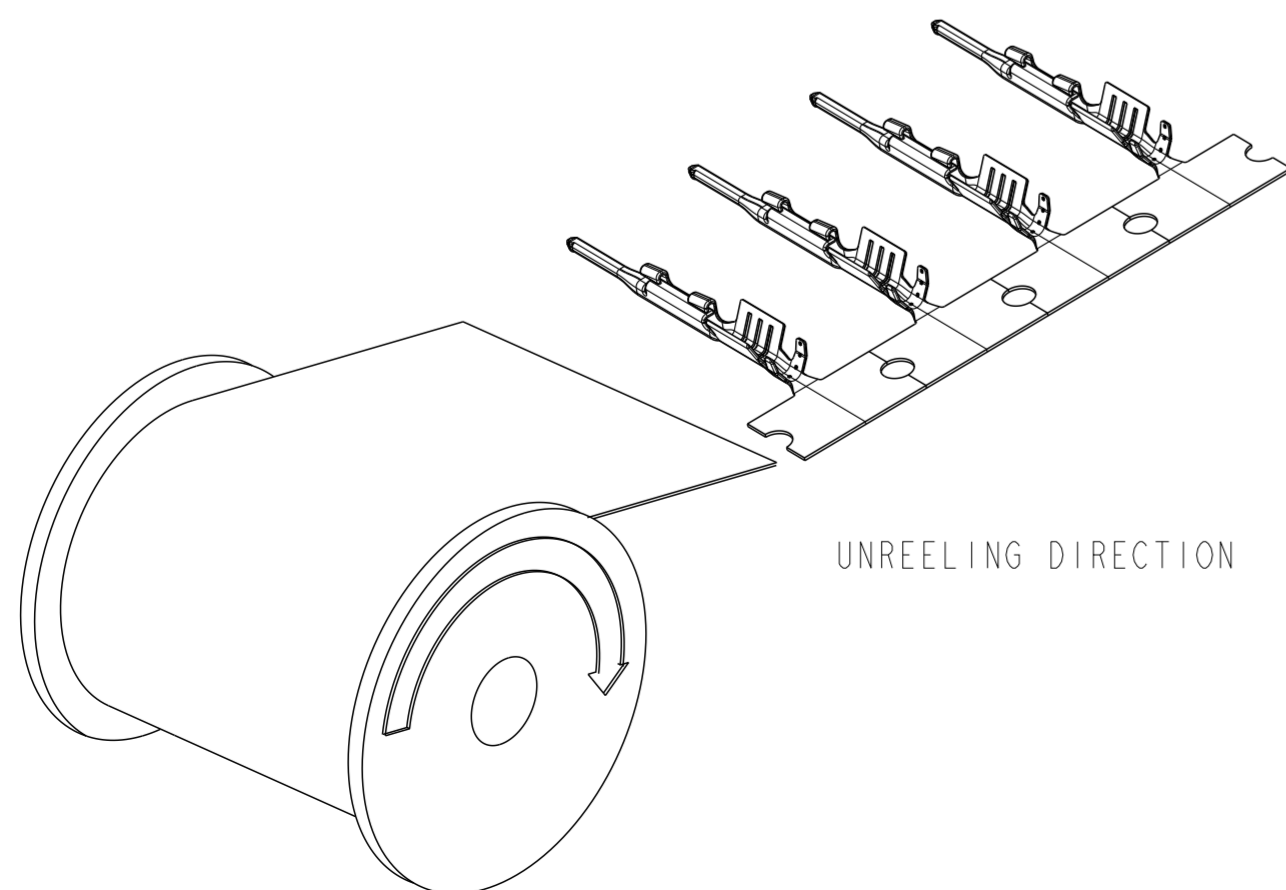
- 5 - RoHS COMPATIBLE PRODUCT SPECIFICATIONS
 - a - LABELLING :
MEETS PACKAGING SPECS AS PER GS-14-920
 - b - LEGAL STATEMENT :
SEE GS-47-0004.

PRODUCT NO	WIRE SIZE	DIM "A"	DIM "B"	DIM "C"	DIM "D"
10155449-Y11LF	AWG 22	2.02	1.65	2.17	1.67
10155449-Y12LF	AWG 26-28	1.63	1.33	1.67	1.21
10155449-Y13LF	AWG 24	1.98	1.50	1.97	1.45

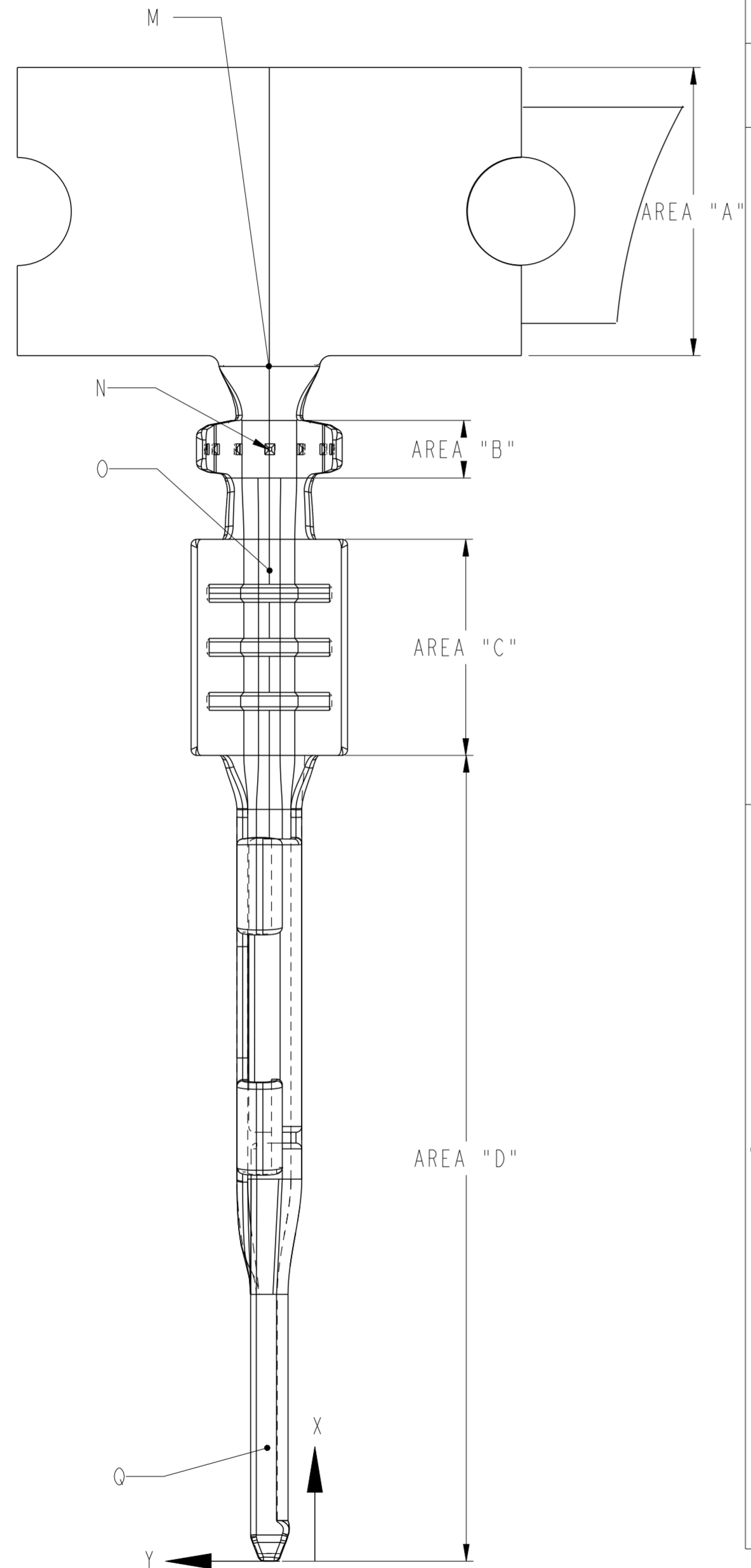


SECTION AA-AA
SCALE 25:1

SECTION AB-AB
SCALE 25:1



spec ref	GS-12-1634	dr	Sawarath, Ambaa	2020/09/02	projection	mm	size	A2	scale	10:1	
tolerance std	ISO 406 ISO 1101	eng	Canque, Vincen	2022/07/21			ecn no	-	rel level	Released	
TOLERANCES UNLESS OTHERWISE SPECIFIED		chr	-	appr							-
surface	linear	0.X	±0.3	Amphenol FCI		CTW MALE PIN TERMINAL		dwg no	10155449	rev	B
	angular	0°	±2°	MINITEK MicroSpaceXS		Product - Customer Drw		sheet 1 of 2			



SCALE 15:1

PLATING CODE 10155449-Y01LF		
UNDERLAYER FOR ALL PLATED VERSIONS	END LAYER FOR TIN PLATED VERSION (-111LF)	END LAYER FOR GOLD PLATED VERSION (-311LF)
Nickel presence POINT M & N	Tin presence POINT M & N	
0.7-1.7µm Ni POINT O	1-6µm Tin POINT O	
1.27-2.5µm Ni POINT Q	3-6µm Tin POINT Q	0.76µm min Au POINT Q

PLATING THICKNESS MEASURING POINTS		
	X	Y
M - Tin version	16.80	0
N	15.50	0
O	14	0
Q	2	0

spec ref	-	dr	Sawarath, Ambaa	2020/09/02	projection	mm	size	A2	scale	3:1		
tolerance std	ISO 406 ISO 1101	eng	Canque, Vincen	2022/07/21			ecn no	-	rel level	Released		
TOLERANCES UNLESS OTHERWISE SPECIFIED		chr	-	product family			-					
surface	ISO 1302	linear	0.X	±0.3			Amphenol FCI		title CTW MALE PIN TERMINAL MINITEK MicroSpaceXS	rev B		
			0.XX	±0.10			amphenol-icc.com	cat. no.			Product - Customer Drw	sheet 2 of 2
		angular	0°	±2°								

PDS: Rev :B

STATUS:Released

Printed: Nov 29, 2022

Amphenol
FCI

© 2020 Amphenol Corporation