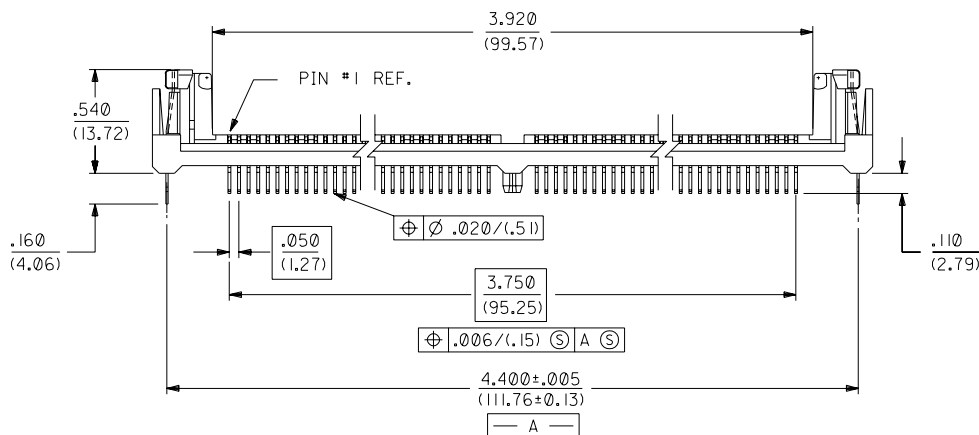
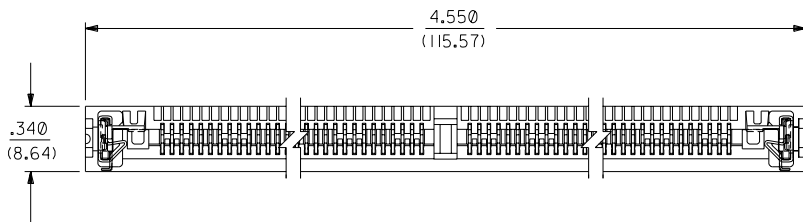


"SIMM" P.C. BOARD LAYOUT



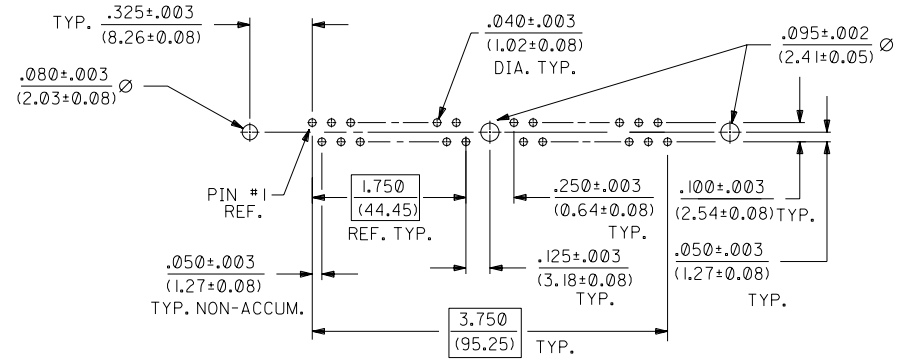
\*THE PRIMARY SHIPPING CARTON WILL BE LABELED "COMPLIANT TO RoHS DIRECTIVE 2002/95/EC AND ELV ANNEX II OF DIRECTIVE 2000/53/EC" CARTONS WITHOUT THIS LABEL MAY CONTAIN PRODUCT WITH LEAD.

- NOTES:
- CARD SLOT ACCEPTS .050 +.004/-.003 P.C. BOARDS (MEASURED OVER P.C. PADS).
  - PRODUCT SPEC PS-78954 APPLIES
  - CENTER PEG IS AN INTERFERENCE FIT TO PCB UNLESS NOTED ON THE DWG. (APPLICABLE ONLY IF PART HAS A CENTER PEG FEATURE)

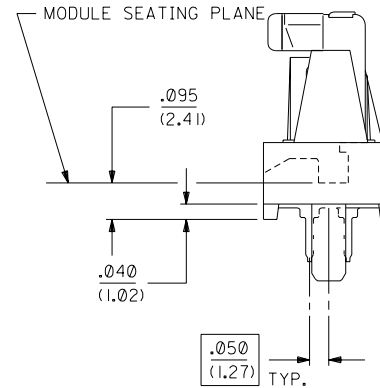
MATERIALS:

- HOUSING- LCP, GLASS FILLED, 94V-0, COLOR: BLACK
- TERMINAL- PHOSPHOR BRONZE
- PLATING- POST PLATED 30  $\mu\text{in}$  (0.76  $\mu\text{m}$ ) MINIMUM GOLD IN CONTACT AREA AND 150  $\mu\text{in}$  (3.81  $\mu\text{m}$ ) MINIMUM TIN IN TAIL AREA OVER 75  $\mu\text{in}$  (1.91  $\mu\text{m}$ ) MINIMUM NICKEL OVERALL.
- \* REFERENCE NOTE IN LOWER LEFT CORNER OF DRAWING.

METAL LATCH- STAINLESS STEEL



RECOMMENDED SOCKET P.C. BOARD HOLE PATTERN



END VIEW  
SCALE 4:1

F	LEAD FREE UCP2004-1582 RWHITE 04/02/24
E	REVISED PER ECR# U51309 GMY 8-18-95
D	REDRAWN PER ECR U20649 AMD 6-10-92
C	REVISED/UPDATED PER ECR U0 0647 SEC 9-18-90
B	CORRECTED/REVISED PER ECR U0 0324 SEC 4-17-90
A	RELEASE FOR MFG. PER ERO 29297 SEC 12-05-89

DIMENSIONS SHOWN (METRIC) INCH		UNLESS OTHERWISE SPECIFIED TOLERANCES: ANGULAR ± 1/2°		DRAFT WHERE APPLICABLE MUST REMAIN WITHIN DIMENSIONS	
3 PLAGE	± .010	---	---	---	---
2 PLAGE	± .014	± 0.25	---	---	---
1 PLAGE	---	± .035	---	---	---
MFG. SH. REV. LTR. REVISIONS		TITLE			
15-82-0762		SALES ASSEMBLY 72 CIRCUIT METAL LATCH VERTICAL SIMM SOCKET			
FILE NAME S78954X34		SHEET NO. 1		DATE 12/05/89	
DRWG. NO. 15-82-0762		DRWG. NO. SDA-78962-7232			
APPR. BY SEC		CHK'D. BY		DIV. DA	
SCALE 2:1		THIS DRAWING CONTAINS INFORMATION THAT IS PROPRIETARY TO MOLEX INC. AND SHOULD NOT BE USED WITHOUT WRITTEN PERMISSION.			