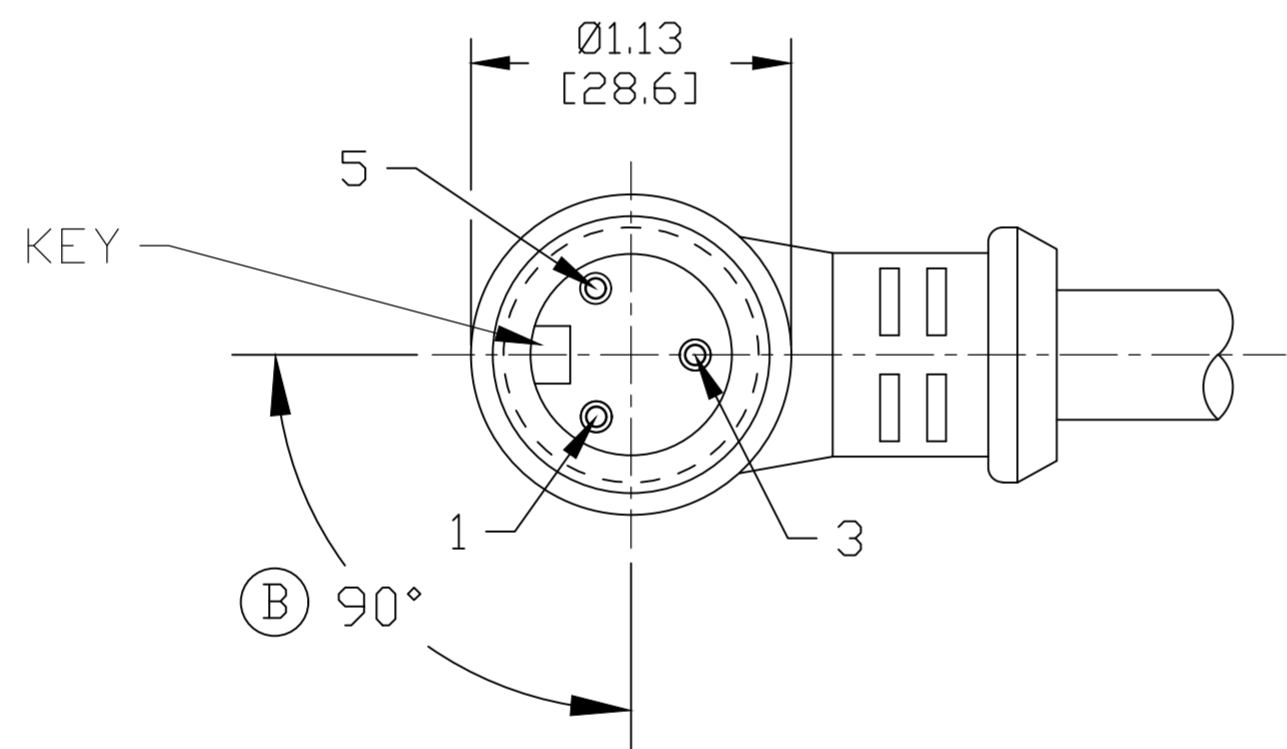
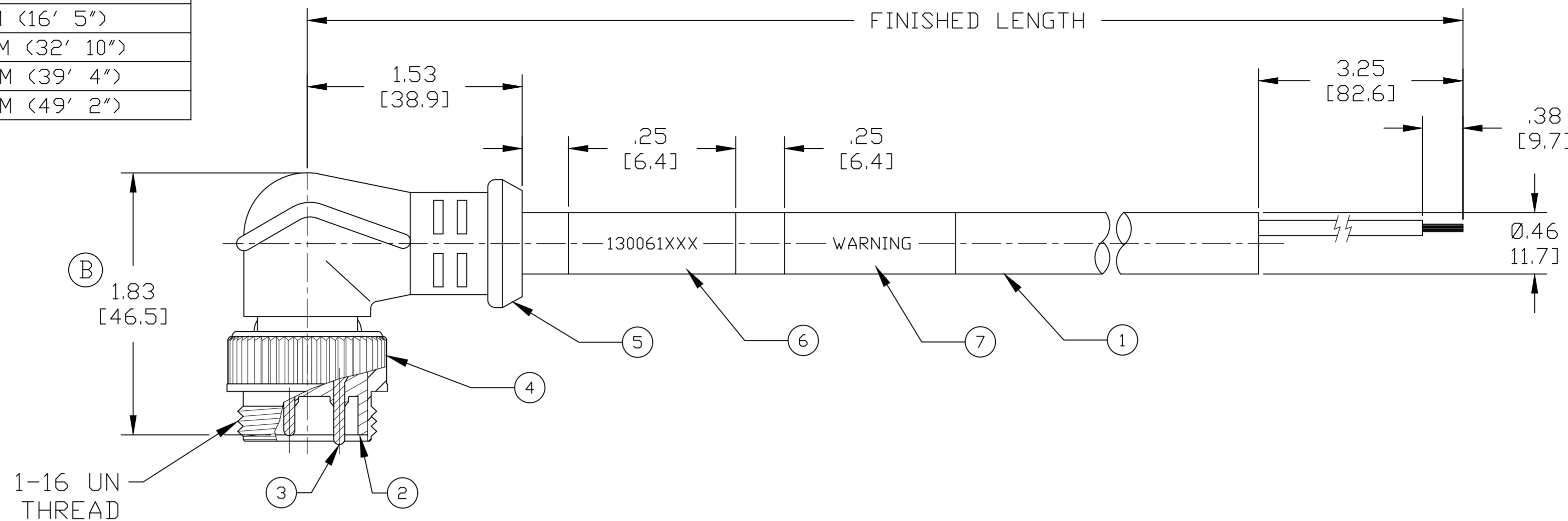


PART NO.	ENGINEERING NO.	FINISHED LENGTH
1300611080	203007A45M030	3M (9' 10")
1300611120	203007A45M050	5M (16' 5")
1300610224	203007A45M100	10M (32' 10")
1300611084	203007A45M120	12M (39' 4")
1300610229	203007A45M150	15M (49' 2")



PART NO. LEGEND

203007A45M030

CABLE TYPE  
16/3 TC-ER

FINISHED LENGTH:  
M005= 0.5 METER  
M030= 3 METER  
M120= 12 METER

NOTES:

- MATERIAL: AS NOTED
- FINISH: AS NOTED
- ELECTRICAL:  
VOLTAGE: 600V  
CURRENT: 13A
- TEMP RATING: -25°TO +80°C
- PROTECTION: IP67 (WHEN MATED)
- UL LISTED FILE: E258922
- ALL DIMS ARE FOR REFERENCE UNLESS TOLERANCED OR NOTED OTHERWISE

- 1 BLACK
- 3 GREEN/YELLOW
- 5 WHITE

MALE FACE VIEW

CABLE LENGTH TOLERANCES	
>.3M [1FT]:	+19mm-0 [+0.75in-0]
.3 - .9M [1 - 3FT]:	+44.5mm-0 [+1.75in-0]
.9 - 1.8M [3 - 6FT]:	+55.6mm-0 [+2.19in-0]
1.8 - 3.7M [6 - 12FT]:	+88.9mm-0 [+3.50in-0]
3.7 - 7.3M [12 - 24FT]:	+165.1mm-0 [+6.50in-0]
7.3-14.6M [24 - 48FT]:	+317.5mm-0 [+12.50in-0]
14.6 - 30.5M [48-100FT]:	+622.3mm-0 [+24.50in-0]
OVER 30M [100FT]	+2% OF FINISHED LENGTH

ITEM	DESCRIPTION	MATERIAL	FINISH
7	WARNING LABEL	VINYL	ORANGE/BLACK
6	WRAP LABEL	VINYL	BLACK/YELLOW
5	OVERMOLD	TPE	GRAY
4	COUPLING NUT	ZINC DIE CAST	BLACK ANODIZE
3	CONTACT PIN	COPPER ALLOY	GOLD PLATED
2	MALE INSERT, 3P	TPE	BLACK
1	CABLE, 16/3 TC-ER	PVC JACKET	GRAY, BLACK STRIPE
	DESCRIPTION	MATERIAL	FINISH

THIS DRAWING CONTAINS INFORMATION THAT IS PROPRIETARY TO MOLEX ELECTRONIC TECHNOLOGIES, LLC AND SHOULD NOT BE USED WITHOUT WRITTEN PERMISSION										
FUNCTIONAL SYMBOLS	DIMENSION UNITS	SCALE	CURRENT REV DESC: O-MOLD WAS BLACK, O-MOLD DIM WAS 1.88, DIMS CHANGED TO IN/MM, ADD 90 DEG KEY ORIENTATION							
	INCH/MM	NTS								
DIVISIONAL SYMBOLS	GENERAL TOLERANCES (UNLESS SPECIFIED)		EC NO: 701133							
		mm	INCH	DRWN: RSTONE		2022/03/28		3 POLE, MALE 90 DEG, SINGLE KEY, 16AWG, ADD 90 DEG KEY ORIENTATION		
	4 PLACES	±----	±----	CHK'D: ALEON01		2022/03/29		PRODUCT CUSTOMER DRAWING		
	3 PLACES	±----	±----	APPR: BWOODMAN		2022/03/30		DOCUMENT NUMBER		
	2 PLACES	±----	±----	INITIAL REVISION:				SD-130061-042		
	1 PLACE	±----	±----	DRWN: RSTONE		2018/06/18		DOC TYPE/DOC PART/REVISION		
	0 PLACES	±----	±----	APPR: BWOODMAN		2018/06/21		PSD 001 B		
	ANGULAR TOL ± ---- °		THIRD ANGLE PROJECTION		DRAWING		SERIES		MATERIAL NUMBER	
	DRAFT WHERE APPLICABLE MUST REMAIN WITHIN DIMENSIONS				C-SIZE		130061		SEE P/N LEGEND	
							GENERAL MARKET		SHEET NUMBER	
									1 OF 1	