

NOTES:

1. MATERIALS:

HOUSING: HIGH TEMPERATURE PLASTIC, UL 94V-0, COLOR: BLACK  
 TERMINAL: COPPER ALLOY  
 SHIELD: STEEL ALLOY

2. FINISH:

TERMINAL: GOLD PLATING OVER 1.27 MICROMETER(50u") NICKEL IN CONTACT AREA,  
 3.81 MICROMETER (150u") PURE TIN OVER 1.27 MICROMETER (50u") NICKEL AT SOLDERING AREA.  
 BACK SHIELD: 3.81 MICROMETER (150u") BRIGHT TIN OVER 1.27 MICROMETER (50u") NICKEL OVER COPPER FLASH OVERALL.  
 FRONT SHIELD: 1.27 MICROMETER (50u") SOLDERING NICKEL OVER COPPER FLASH OVERALL.

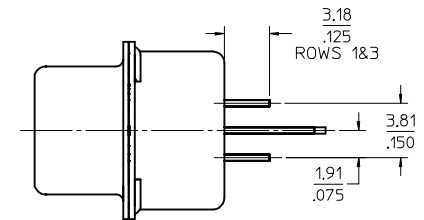
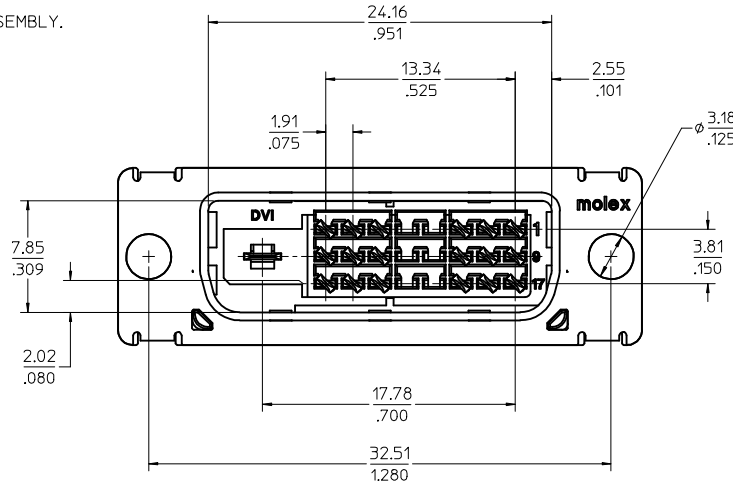
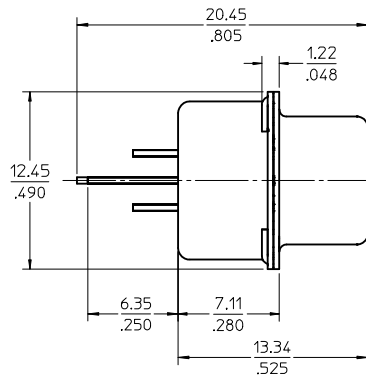
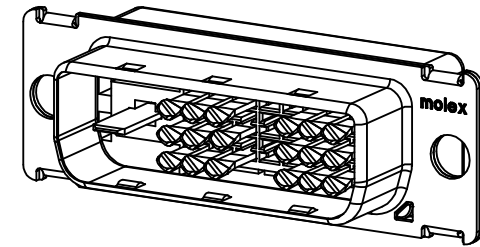
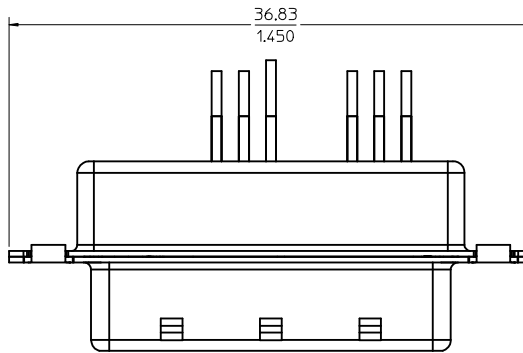
3. PRODUCT SPECIFICATION: PS-74320-001.

4. PACKAGING: PARTS ARE TO BE PACKAGED 40 PCS PER TRAY.

5. THE LOADED CIRCUITS SEE THE CHART.

6. THE TEXTS ARE SHOWN FOR REFERENCE ONLY.

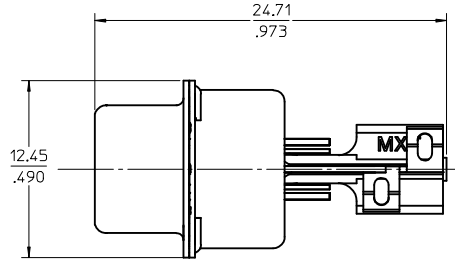
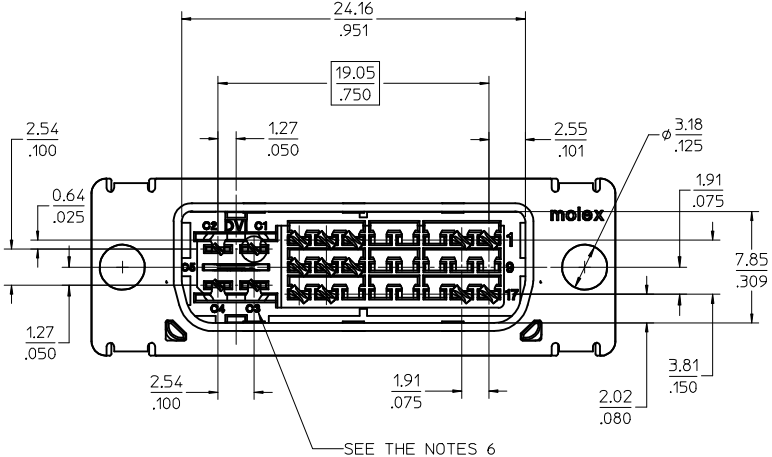
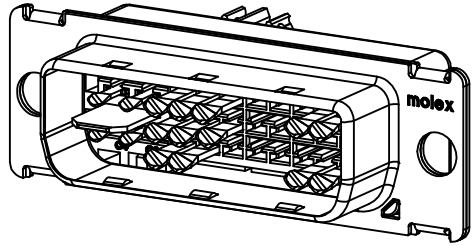
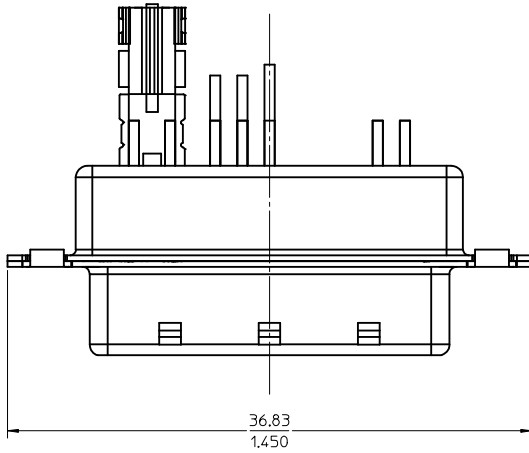
7. THE DIMENSION SHOWN ON SHEET 1 REFLECT THE DVI-D SINGLE AND DUAL CHANNEL SUB-ASSEMBLY.  
 THE DIMENSION SHOWN ON SHEET 2 REFLECT THE DVI-I SUB-ASSEMBLY.  
 FOR ALL OTHER DIMENSION REFER TO SHEET 1.



CHANGE FRONT SHELL FINISH

EC NO: SH2016-0197 DRAWN: XQZHANG 2015/12/07 CHKD: XQZHANG 2015/12/07 APPR: AYIN 2016/01/18	QUALITY SYMBOLS ▽=0 ▽=0 ▽=0	GENERAL TOLERANCES (UNLESS SPECIFIED)		DIMENSION STYLE IN/MM		SCALE 4:1	DESIGN UNITS INCH	THIRD ANGLE PROJECTION	
		4 PLACES ± --- ± --- 3 PLACES ± --- ± .010 2 PLACES ± 0.25 ± --- 1 PLACE ± --- ± --- 0 PLACE ± ±	mm INCH ± --- ± --- ± .010 ± --- ± --- ± --- ± ±	DRAWN BY JASON	DATE 99/09/12	TITLE DVI HIGH VOLUME PLUG CONNECTOR SUB-ASSEMBLY		molex	
ANGULAR ± 1 °		CHECKED BY RAFF	DATE 99/09/22	DOCUMENT NO. SD-74323-003		SHEET NO. 1 OF 2			
DRAFT WHERE APPLICABLE MUST REMAIN WITHIN DIMENSIONS		MATERIAL NO. SEE SHEET 2		THIS DRAWING CONTAINS INFORMATION THAT IS PROPRIETARY TO MOLEX INCORPORATED AND SHOULD NOT BE USED WITHOUT WRITTEN PERMISSION					

PART NUMBER	DESCRIPTION	LOADED CIRCUITS REF.
74323-2001	DVI-D Au FLASH SINGLE LINK	1-3,6-8,9-11,14-16,17-19,22-24, WITH KEY
74323-2003	DVI-D Au FLASH DUAL LINK	1-24, WITH KEY
74323-2031	DVI-I Au FLASH SINGLE LINK	1-3,6-8,9-11,14-16,17-19,22-24, C1,C2,C3,C4,C5
74323-2033	DVI-I Au FLASH DUAL LINK	1-24, C1,C2,C3,C4,C5



<b>SEE SHEET 1</b> EC NO: SH2016-0197 DRAWN: XZHANG 2015/12/07 CHKD: XZHANG 2015/12/07 APPR: AYIN 2016/01/18	QUALITY SYMBOLS ▽=0 ▽=0 ▽=0	GENERAL TOLERANCES (UNLESS SPECIFIED)		DIMENSION STYLE <b>IN/MM</b>		SCALE <b>4:1</b>	DESIGN UNITS <b>INCH</b>	THIRD ANGLE PROJECTION	
		4 PLACES ± --- ± ---	mm INCH	DRAWN BY JASON	DATE 99/09/12	TITLE <b>DVI HIGH VOLUME PLUG CONNECTOR SUB-ASSEMBLY</b>			
		3 PLACES ± --- ± .010	± --- ± ---	CHECKED BY RAFF	DATE 99/09/22	<b>molex</b>			
		2 PLACES ± 0.25 ± ---	± --- ± ---	APPROVED BY MEGA	DATE 99/09/22				
ANGLULAR ± 1 °		DRAFT WHERE APPLICABLE MUST REMAIN WITHIN DIMENSIONS		SEE TABLE		THIS DRAWING CONTAINS INFORMATION THAT IS PROPRIETARY TO MOLEX INCORPORATED AND SHOULD NOT BE USED WITHOUT WRITTEN PERMISSION			