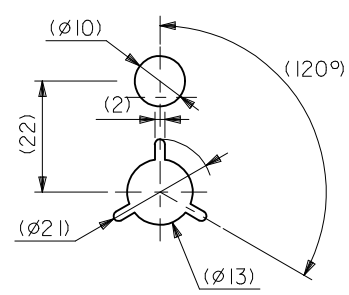
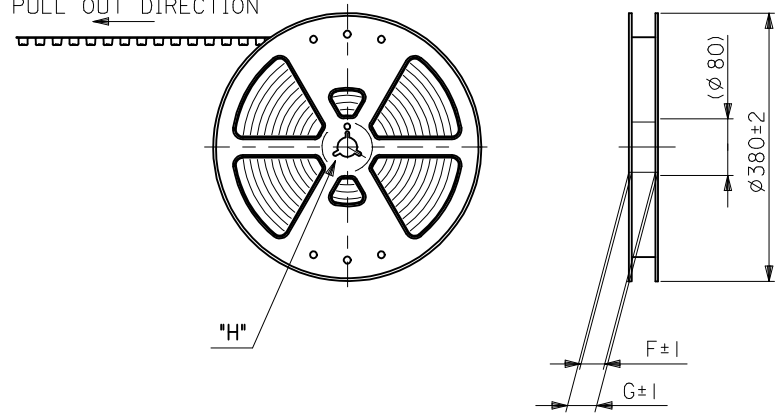


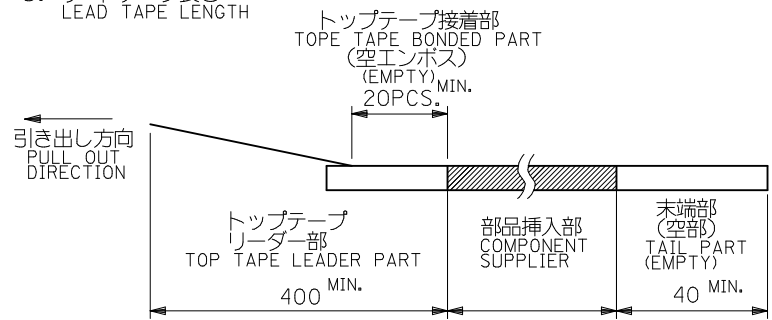
引き出し方向  
PULL OUT DIRECTION



DETAIL "H"

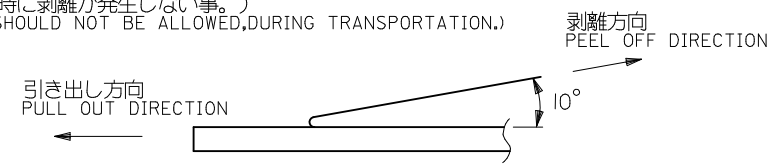
注)  
NOTES

- 製品番号 55299-\*\*\*71 詳細寸法については、製品単体図面を参照下さい。  
IN THE PACKAGE PART NUMBER 55299-\*\*\*71 DETAILED DIMENSIONS, SEE SALES DRAWING FOR CONNECTOR.
- 梱包数量：2000個/リール  
NUMBER OF CONNECTORS:2000 PCS/REEL.
- リードテープ長さ  
LEAD TAPE LENGTH



- トップテープの剥離強度：(剥離方向は下図参照)  
PEELING OFF FORCE OF TOP TAPE (PELLING DIRECTION AS SHOWN IN FOLLOWING FIGURE.)  
0. 1~1. 3N{ 10~130gf }

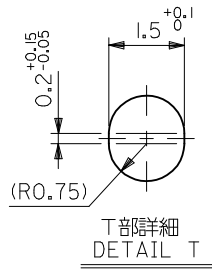
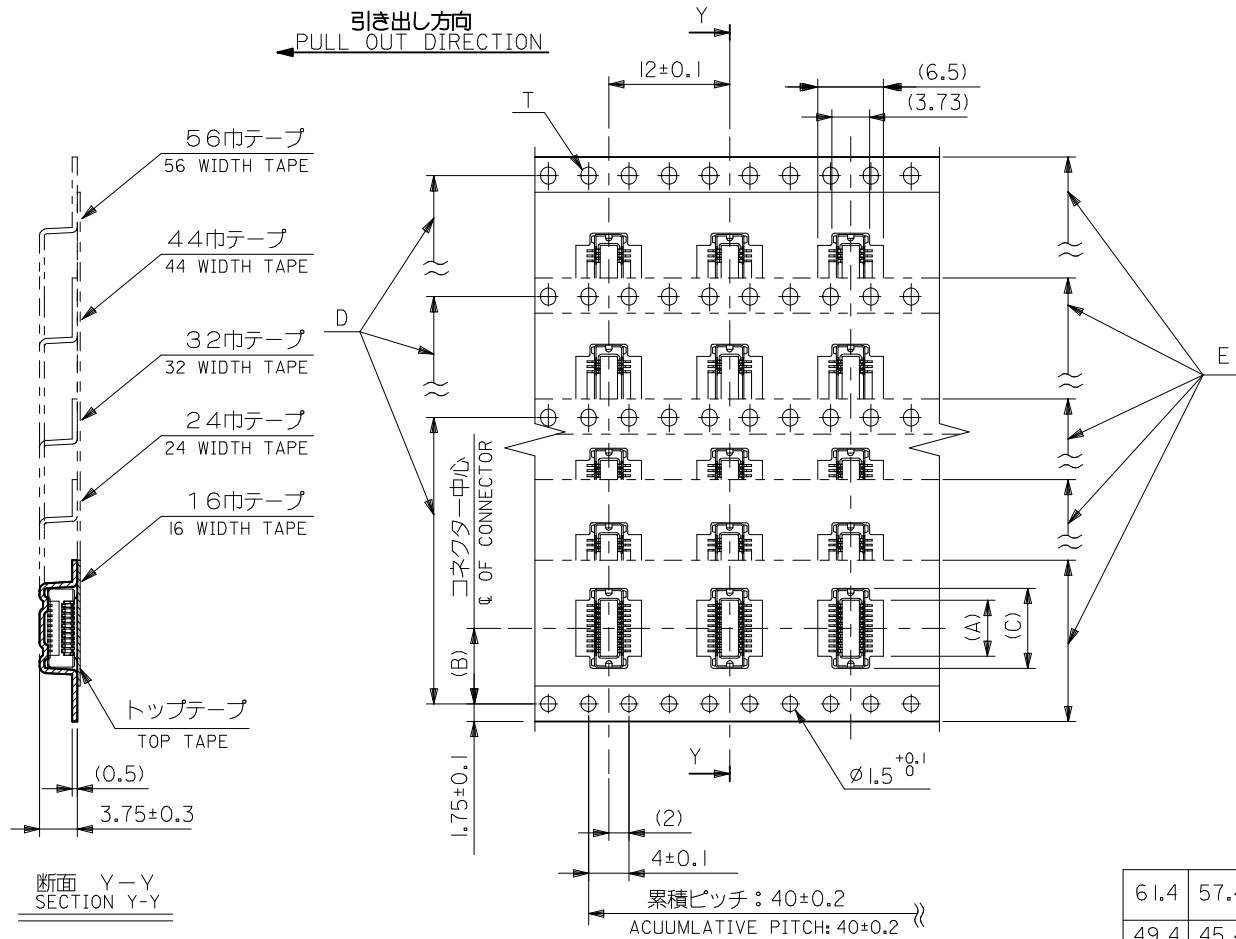
尚、本規格値は、出荷時に適用。  
THIS REQUIREMENT SHOULD BE APPLIED AT SHIPMENT.  
(但し、輸送時に剥離が発生しない事。)  
(PEEL OFF SHOULD NOT BE ALLOWED,DURING TRANSPORTATION.)



- 材料  
MATERIAL  
キャリアテープ：ポリプロピレン (PP)  
CARRIER TAPE:POLYPROPYLENE(PP)  
トップテープ：PET, PE, PEF  
TOP TAPE:PET,PE,PEF  
リール：ポリスチレン (PS) <リサイクル材を含む>  
REEL:POLYSTYRENE(PS) <RECYCLE MATERIAL CONTAINED>

- 本製品は55299-\*\*\*8の鉛フリー品である。  
THIS PRODUCT IS LEAD FREE OF 55299-\*\*\*8

REVISED EC NO: J2009-0140 DRWN:YOSHIDAM 2008/07/31 CHKD:THARUYAMA 2008/07/31 APPR:NUKITA 2008/11/21	GENERAL TOLERANCES (UNLESS SPECIFIED)		DIMENSION STYLE MM ONLY		SCALE ---	DESIGN UNITS METRIC	THIRD ANGLE PROJECTION
	10 UNDER	±0.2	DRAWN BY M. NAGATA	DATE '04/03/09	TITLE 55299-***71 TAPING PACKAGE -LEAD FREE-		
	10 OVER 30 UNDER	±0.25	CHECKED BY K. TOJO	DATE '04/03/09	MOLEX INCORPORATED		
	30 OVER	±0.3	APPROVED BY H. IKESUGI	DATE '04/03/09	DOCUMENT NO. SD-55299-011	SHEET NO. 1 OF 2	
	ANGULAR	±3 °	MATERIAL NO. SEE TABLE				
A	DRAFT WHERE APPLICABLE MUST REMAIN WITHIN DIMENSIONS		THIS DRAWING CONTAINS INFORMATION THAT IS PROPRIETARY TO MOLEX INCORPORATED AND SHOULD NOT BE USED WITHOUT WRITTEN PERMISSION				



61.4	57.4	56±0.3	52.4	37.95	26.2	35.55	55299-1478	140	
				32.95		30.55	55299-1278	120	
49.4	45.4	44±0.3	40.4	27.95	20.2	25.55	55299-1078	100	
29.4	25.4	24±0.3	#	12.95	11.5	10.55	55299-0478	40	
				10.45		8.05	55299-0378	30	
21.4	17.4	16±0.3	#	7.95	7.5	5.55	55299-0278	20	
G	F	E キャリアテープ幅 CARRIER TAPE WIDTH		D	(C)	(B)	(A)	製品番号 MATERIAL NO.	極数 CIRCUITS

REVISED		MODEL NO. 55299-***78		DIMENSION STYLE		SCALE		DESIGN UNITS		THIRD ANGLE PROJECTION	
EC NO: J2009-0140		DRWN: YOSHIDAM 2008/07/31		GENERAL TOLERANCES (UNLESS SPECIFIED)		MM ONLY		10:1		METRIC	
CHKD: THARUYAMA 2008/07/31		APPR: NUKITA 2008/11/21		10 UNDER ±0.2		DRAWN BY M. NABEI		DATE '05/03/10		TITLE	
REV		DESCRIPTION		10 OVER 30 UNDER ±0.25		CHECKED BY K. TOYODO		DATE '05/03/10		55299-***71 TAPING PACKAGE -LEAD FREE-	
				30 OVER ±0.3		APPROVED BY N. UKITA		DATE '05/03/10		MOLEX INCORPORATED	
				ANGULAR ±3 °		MATERIAL NO.		DOCUMENT NO.		SHEET NO.	
				DRAFT WHERE APPLICABLE MUST REMAIN WITHIN DIMENSIONS		SEE TABLE		SD-55299-011		2 OF 2	
						SIZE A3		THIS DRAWING CONTAINS INFORMATION THAT IS PROPRIETARY TO MOLEX INCORPORATED AND SHOULD NOT BE USED WITHOUT WRITTEN PERMISSION			