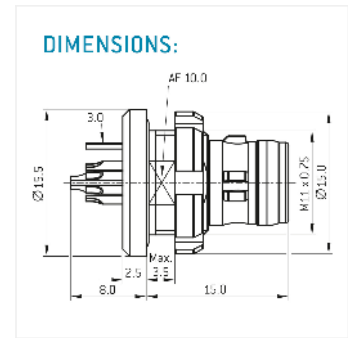
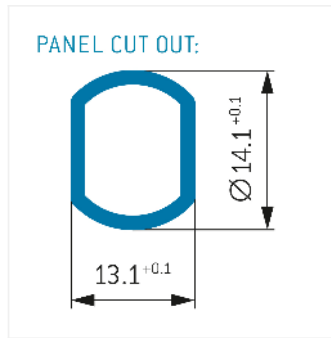
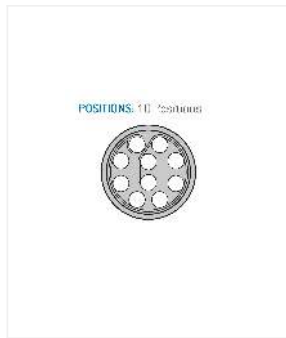
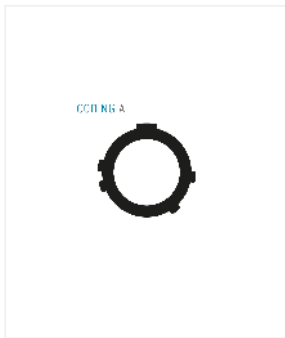


**General information**

|                          |                     |
|--------------------------|---------------------|
| <b>Part number</b>       | GW1YAR-P10WDD0-ROOL |
| <b>Termination</b>       | solder              |
| <b>Size</b>              | 1                   |
| <b>Locking principle</b> | break , push        |
| <b>Coding</b>            | a_key_amc           |
| <b>Cable Diameter</b>    | cable_amc_1         |



**Contact insert description**

|                             |              |
|-----------------------------|--------------|
| <b>Number of contacts</b>   | 10           |
| <b>Contact type</b>         | flat_contact |
| <b>Contact diameter</b>     | 06mm         |
| <b>Insulator material</b>   | peek         |
| <b>Wire cross section</b>   | 26_awg       |
| <b>Termination</b>          | solder       |
| <b>Termination diameter</b> | 065mm        |

reverse\_gender\_on\_request

**Technical information**

|                                       |          |               |
|---------------------------------------|----------|---------------|
| <b>Nominal current single contact</b> | 02_a     | iec_60512_5_2 |
| <b>Nominal current insert</b>         | 1,1 A    | vde_0298_4    |
| <b>Test voltage</b>                   | 06_kv_ac | eia_364_20f   |

safety\_text

**Mechanical and environmental data**

|                              |              |
|------------------------------|--------------|
| <b>Degree of protection*</b> | ipsk8_ip6k9k |
| <b>Operating temperature</b> | 51_125_c     |
| <b>Mating cycles</b>         | 5000         |

mated

### Material and surface treatments

|                |               |
|----------------|---------------|
| <b>Housing</b> | ruthenium     |
| <b>Contact</b> | cu_alloy_gold |

safety\_text\_2  
ul\_text  
illustrative\_text