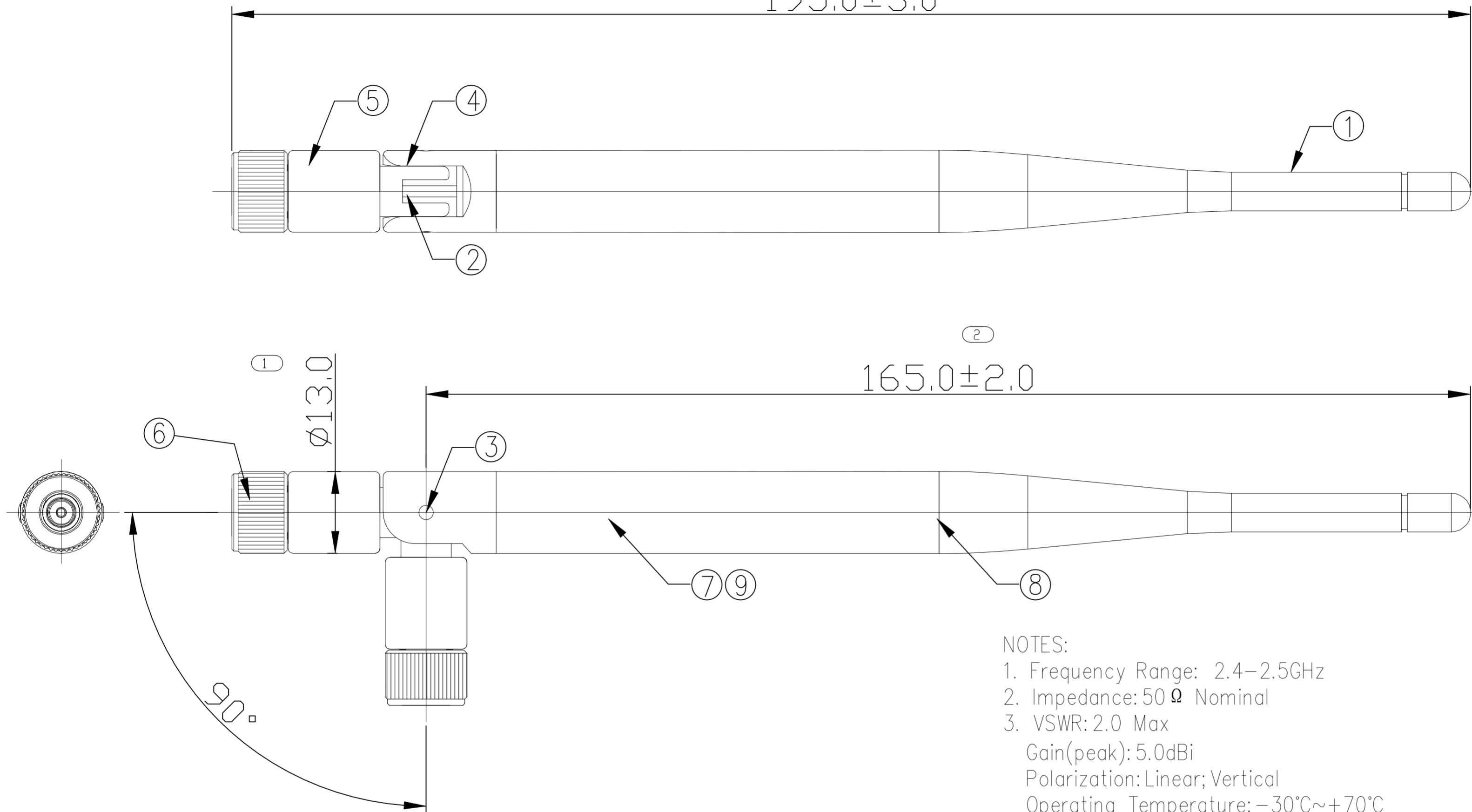


REVISIONS

P	LTR	DESCRIPTION	DATE	DWN	APVD
A		GO TO PRODUCTION	17MAY2021	DC	AC

③ ■ (ST)

195.0±3.0



NOTES:

- 1. Frequency Range: 2.4–2.5GHz
- 2. Impedance: 50 Ω Nominal
- 3. VSWR: 2.0 Max
Gain(peak): 5.0dBi
Polarization: Linear; Vertical
Operating Temperature; -30°C~+70°C

4. MATERIALS : REFER TO TABLE.

5. PACKAGING : SINGULARATE PARTS TO BE SECURELY BAG WRAPPED, BAGGED OR VACUM PACKAGE INBULK

6. CONSULT TE CONNECTIVITY DATASHEET DS 2195899

⑨	H.S.T	Heat shrink tube	1PC
⑧	Spring	Zn-Alloy/SUS304	1PC
⑦	Copper tube	Brass	1PC
⑥	Connector	RSMA Plug, Shell with black pom Plastic	1SET
⑤	Lower base	PBT Color:black	1PC
④	Upper base	PC Color:black	1PC
③	Pin	POM, Color:black	2PCS
②	Cable	RG178 cable light brown	1PC
①	Radome	TPEE Color:black meet RoHS	1PC
ITEM	NAME	MATERIAL	QTY

THIS DRAWING IS A CONTROLLED DOCUMENT.		DWN DC HSIANG 01APR2021	TE TE Connectivity	
DIMENSIONS: mm		CHK SHIN HOO 01APR2021		
TOLERANCES UNLESS OTHERWISE SPECIFIED:		APVD AMOS CHEAH 01APR2021	NAME External Ant,RP-SMA,Wi-Fi,2.4-2.5GHz	
0 PLC ± -		PRODUCT SPEC	-	
1 PLC ± -		APPLICATION SPEC	-	
2 PLC ± -		WEIGHT 0	SIZE A2	CAGE CODE 00779
3 PLC ± -		FINISH -	DRAWING NO C=2195899	
4 PLC ± -		MATERIAL -	RESTRICTED TO -	
ANGLES ± -		CUSTOMER DRAWING	SCALE 1:1	SHEET 1 of 1
			REV A	