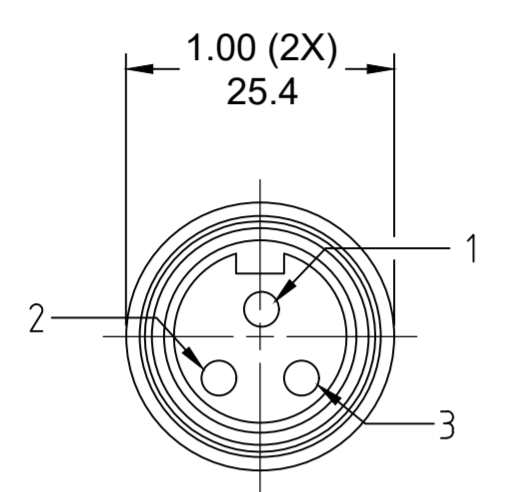


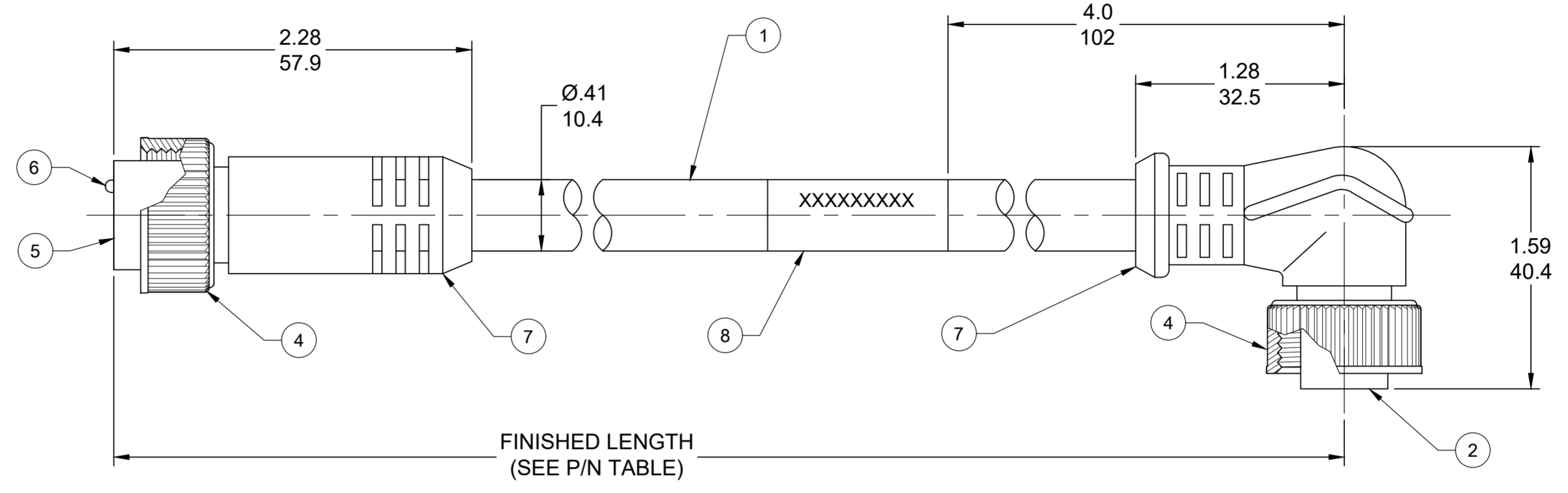
PART NO.	ENGINEERING NO.	FINISHED LENGTH
1300100350	113021A01F010	1.0 FT [0.3M]
1300100351	113021A01F030	3.0 FT [0.9M]
1300100360	113021A01F120	12.0 FT [3.7M]

CABLE LENGTH TOLERANCES			
>.3M [1FT]:	+19mm-0	[+.75in-0]	
.3 - .9M [1 - 3FT]:	+44.5mm-0	[+1.75in-0]	
.9 - 1.8M [3 - 6FT]:	+55.6mm-0	[+2.19in-0]	
1.8 - 3.7M [6 - 12FT]:	+88.9mm-0	[+3.50in-0]	
3.7 - 7.3M [12 - 24FT]:	+165.1mm-0	[+6.50in-0]	
7.3-14.6M [24 - 48FT]:	+317.5mm-0	[+12.50in-0]	
14.6 - 30.5M [48-100FT]:	+622.3mm-0	[+24.50in-0]	
OVER 30M [100FT]	+2% OF FINISHED LENGTH		



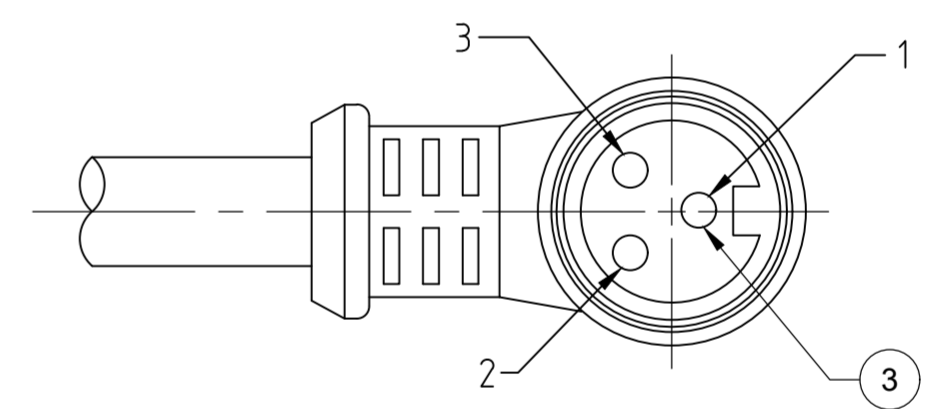
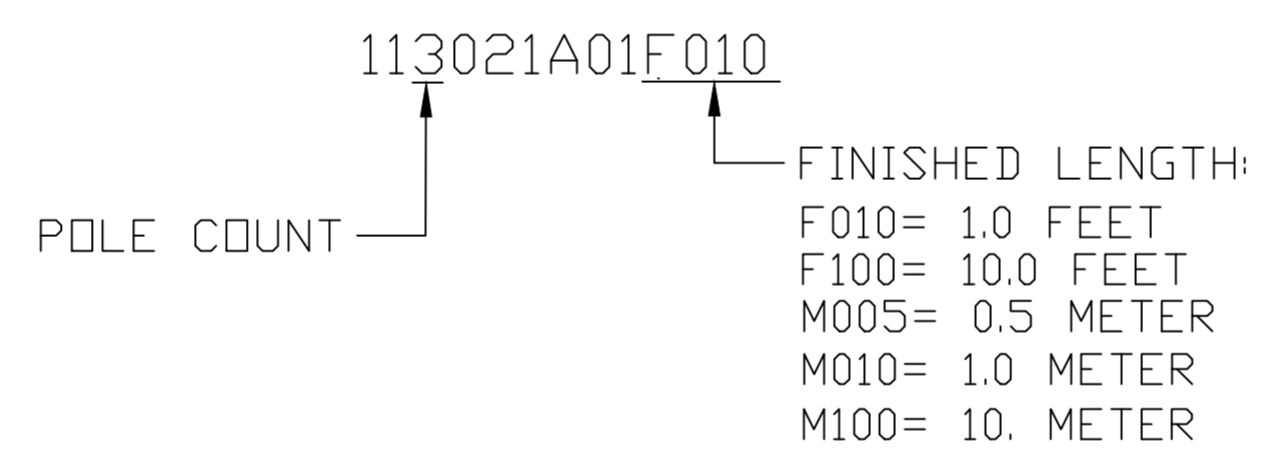
FACE VIEW-MALE INSERT

- 1-GREEN/YELLOW
- 2- BLACK
- 3. WHITE



- NOTES:**
- MATERIAL: AS NOTED
 - FINISH: AS NOTED
 - ELECTRICAL:
VOLTAGE: 500V PER IEC 60664
600V PER UL 2238
CURRENT: 13A
 - TEMP RATING: -20°C TO +105°C
 - PROTECTION: IP67 (WHEN MATED)
 - COUPLING THREAD: 7/8-16 UN
 - UL RECOGNIZED FILE: E152210
CSA FILE: LR6837
 - ALL DIMS ARE FOR REFERENCE UNLESS TOLERANCED OR NOTED OTHERWISE

PART NUMBER LEGEND



FACE VIEW-FEMALE INSERT

- 1-GREEN/YELLOW
- 2- BLACK
- 3. WHITE

PRE-RELEASE
 REFERENCE
 USE ONLY

ITEM	DESCRIPTION	MATERIAL	FINISH
8	FLAG LABEL	VINYL	BLACK/YELLOW
7	OVERMOLD	TPE	YELLOW
6	CONTACT PIN	COPPER ALLOY	GOLD PLATED
5	MALE INSERT (A-SIZE)	TPE	YELLOW
4	COUPLING, INT. THRD	ZINC DIE-CAST	BLACK
3	CONTACT SOCKET	COPPER ALLOY	GOLD PLATED
2	FEMALE INSERT (A-SIZE)	TPE	YELLOW
1	CABLE, 16AWG (ST00W)	PVC JACKET	YELLOW

SYMBOLS DIMENSION UNITS: INCH/MM SCALE: 1:1 CURRENT REV DESC: RELEASED	THIS DRAWING CONTAINS INFORMATION THAT IS PROPRIETARY TO MOLEX ELECTRONIC TECHNOLOGIES, LLC AND SHOULD NOT BE USED WITHOUT WRITTEN PERMISSION		
	GENERAL TOLERANCES (UNLESS SPECIFIED)		
4 PLACES ± .004 ± .004 3 PLACES ± .004 ± .004 2 PLACES ± .004 ± .004 1 PLACE ± .004 ± .004 0 PLACES ± .004 ± .004	mm INCH	EC NO: ---- DRWN: RSTONE 2019/10/22 CHK'D: MZIELINSKI 2019/10/31 APPR: ----	 MINI-CHANGE CABLE ASSEMBLY 3P MALE/FEM, ST/90 16AWG ST00W
ANGULAR TOL ± .004 ° DRAFT WHERE APPLICABLE MUST REMAIN WITHIN DIMENSIONS	THIRD ANGLE PROJECTION	INITIAL REVISION: DRWN: RSTONE 2019/10/22 APPR: ----	
DOCUMENT STATUS: RV RELEASE DATE: 2019/10/31 22:20:46	MATERIAL NUMBER: 1300100350 CUSTOMER: ----	DOC TYPE: PSD DOC PART: 000 REVISION: 1	SHEET NUMBER: 1 OF 1