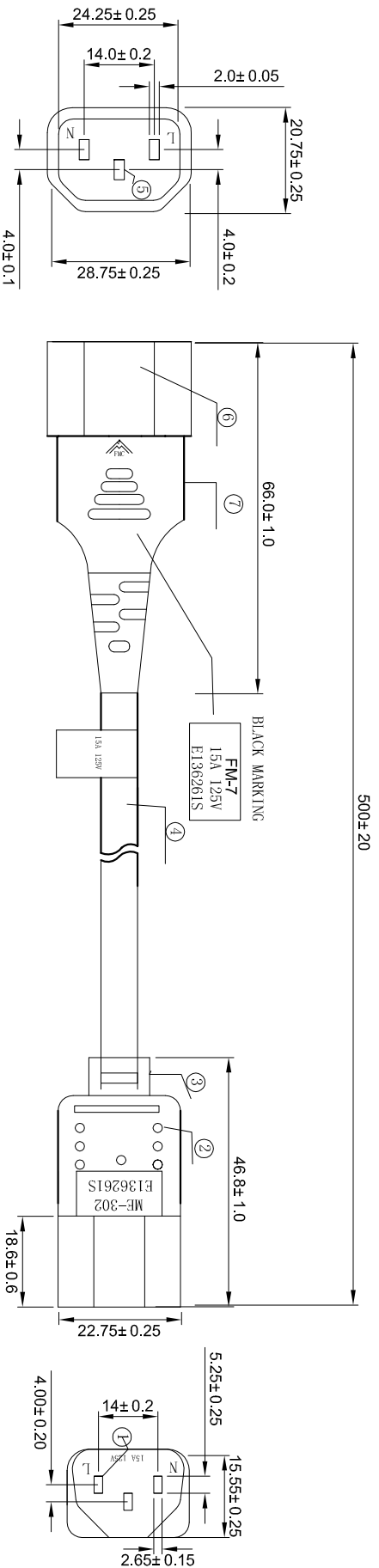
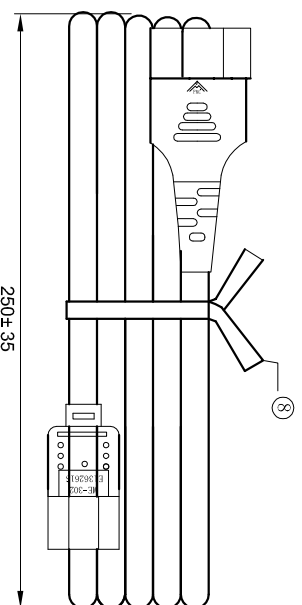
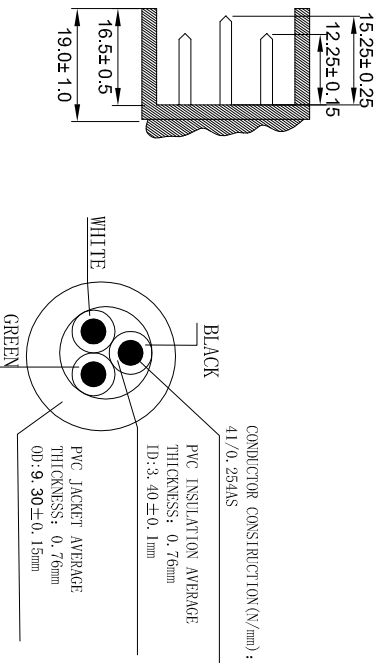


PART NO.	FM-7 ME-302 WIRE	SCALE	1 : 1
DESCRIPTION	SJT#14*3C 60C	UNIT:	mm
DWG No.	800-1400-0-SJT0-BL-000050		



NOTES:

- 1) JACKET COLOR: BLACK
  - 2). E-GREEN; L-BLACK; N-WHITE
- TESTING:
- 1) 100% OPEN & SHORT TESTING
  - 2) INSULATION RESISTANCE: 100M ohm (min)
  - 3) VOLTAGE: DC500V/1min
  - 4) ROHS COMPLIANT



Printing the contents of wire The use of printing ink replenish Wire

E243711 (UL SJT 3×14AWG(2.08mm <sup>2</sup> )) W=1 60°C 300V CSA 228191 SJT 3×14AWG(2.08mm <sup>2</sup> ) Ft2 60°C 300V -I-	
---	--

REV	DATE	DESCRIPTION	SYMBOL
①			
②			
③			
④			
⑤			
⑥			
⑦			
⑧			

NO.	SPECIFICATION	COLOUR	MATERIAL	AMOUNT
①	play home terminals	Silver	Cu	3P
②	Model aircraft	WHITE	PBT	1PCS
③	Mother play MF-302	BLACK	PVC Cu	1PCS
④	Wire SJT 14AWG/3C 60°C	BLACK	PVC Cu	1PCS
⑤	Interpolation public terminal	Silver	Cu	3P
⑥	Moldbase inserted within the public	WHITE	PBT	1PCS
⑦	Public play FM-7	BLACK	PVC Cu	1PCS
⑧	Ties	BLACK	PC	1PCS