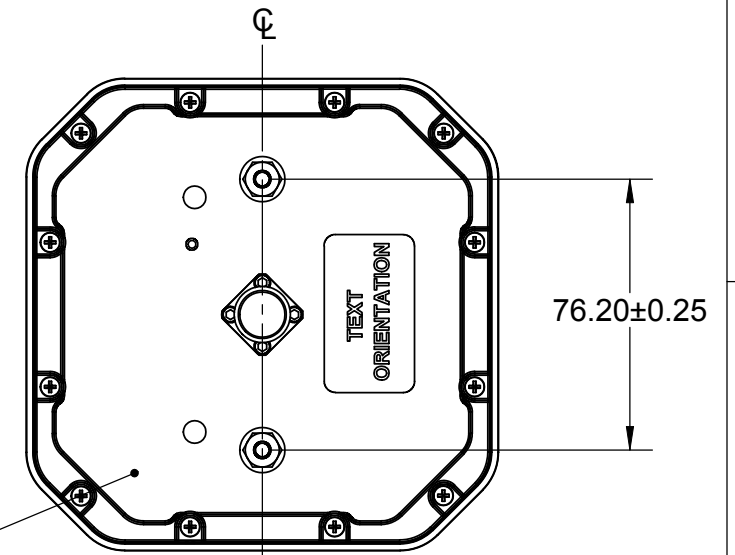
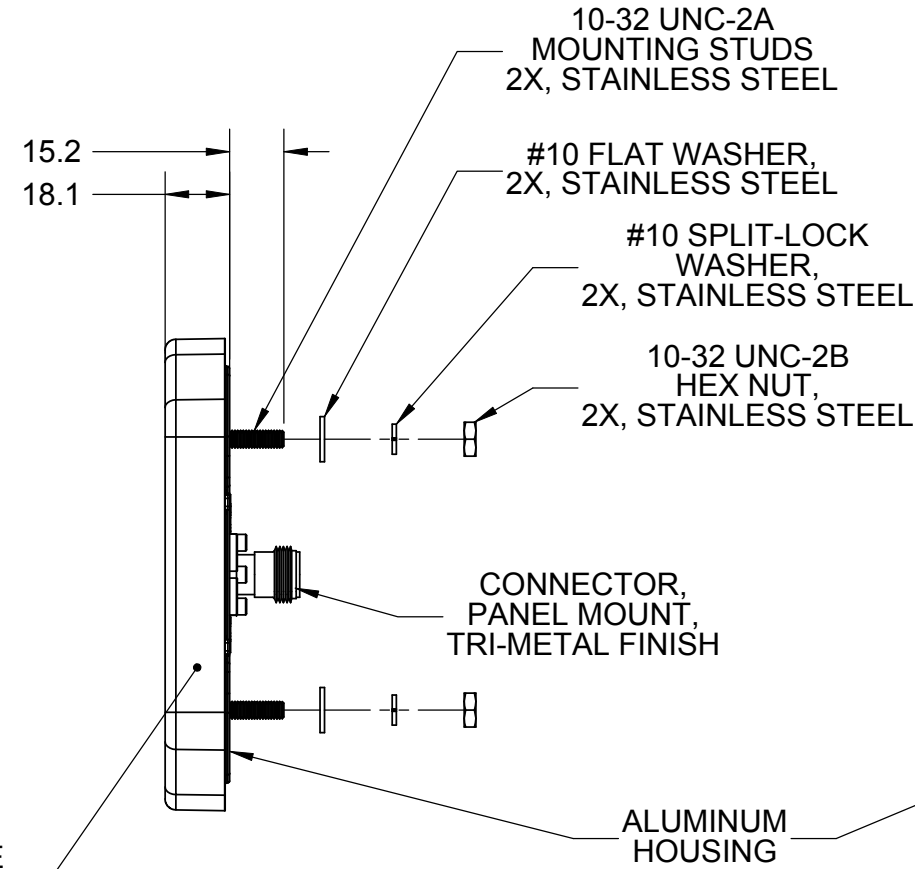
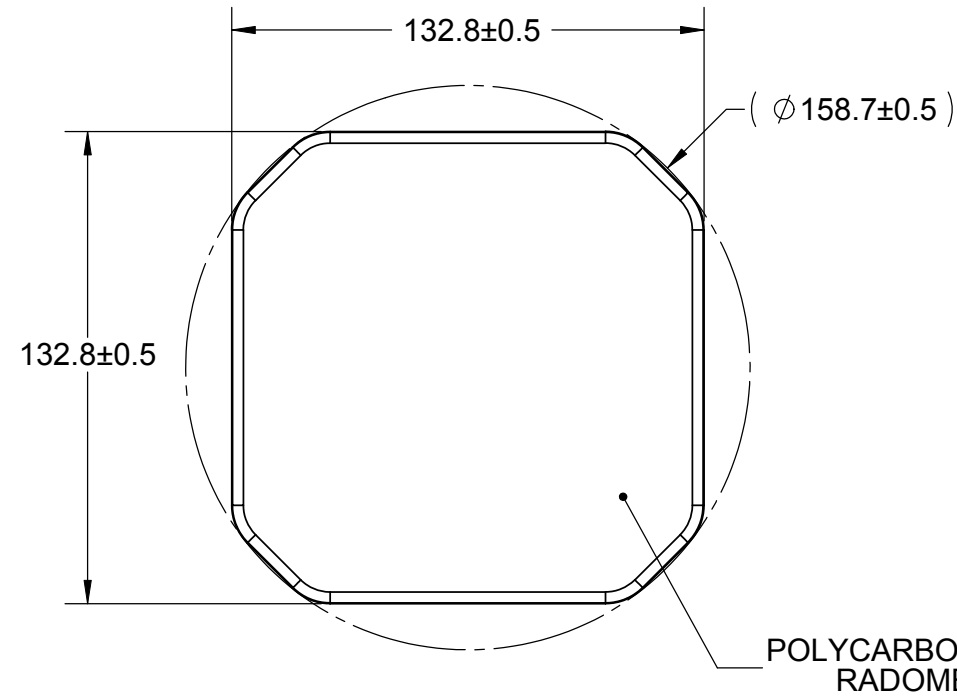


MODEL NUMBER	S8865PLNF	S8655PLRTN	S8655PLSMF	S8655PLRSMF
CONNECTOR	N-TYPE, FEMALE	TNC, REV POLARIZED	SMA, FEMALE	SMA, REV POLARIZED
FREQUENCY	865MHz - 870MHz			
GAIN	5.0dBic			
AXIAL RATIO	2.0dB TYPICAL			
NORMAL IMPEDANCE	50 Ω			
POLARIZATION	CIRCULAR, LEFT			
BEAMWIDTH	100 DEGREES			
VSWR	1.5:1			
F/B	8dB			
POWER	10W			
WEIGHT	0.37kg (0.8lb)			

REVISIONS					
REV.	ECR#	ZONE	DESCRIPTION	CHANGED BY/DATE	APPROVED BY/DATE
AA			INITIAL RELEASE	K.S. 09-25-08	K.S. 09-25-08



MATERIAL: N/A		THIRD ANGLE PROJECTION			
FINISH: N/A					
APPROVALS		DATE		TITLE:	
DRAWN BY	K. SEARL	05-14-08		S8655PL	
PROJ. ENG.	T. PETROPOULOS	09-25-08			
APPL. MECH.		09-25-08		SIZE	
MFG.	I. CHICKLIS	09-25-08		A3	
				DWG. NO.	
				S8655PLMO	
				REV	
				AA	
				SCALE: 1:2	
				PREVIOUS#	
				SHEET 1 OF 1	

THIS DRAWING IS UNPUBLISHED.	RELEASED FOR PUBLICATION
© Copyright 2022 TE Connectivity Ltd.	ALL RIGHTS RESERVED.