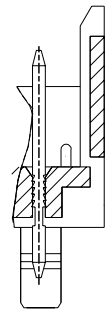
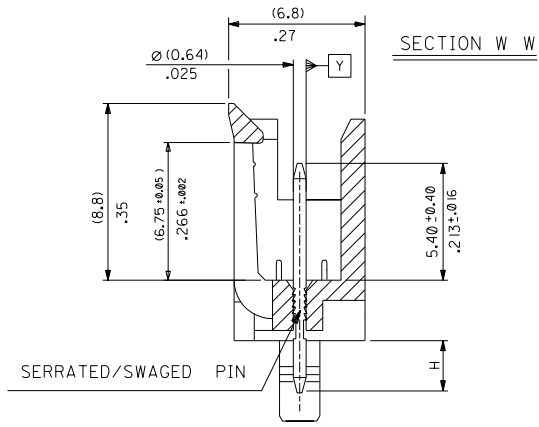
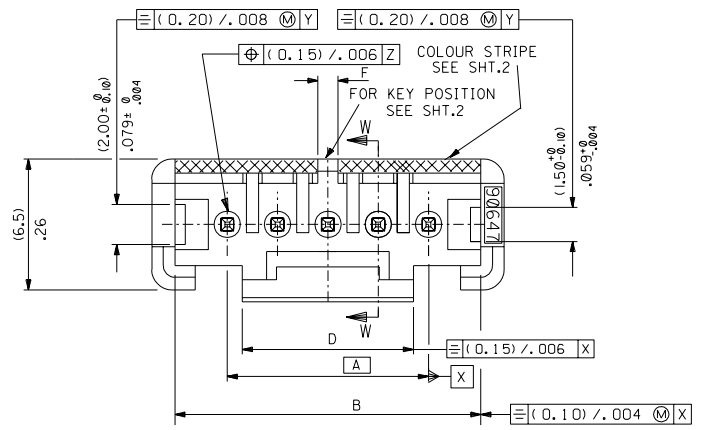
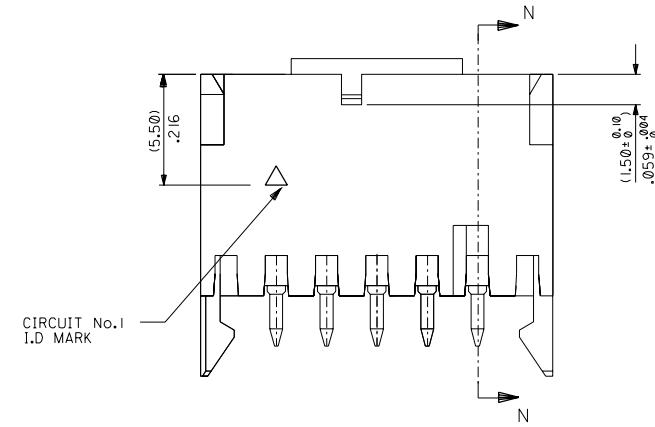
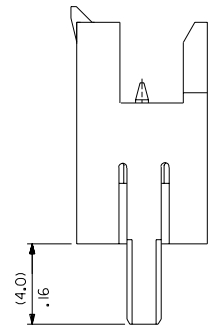
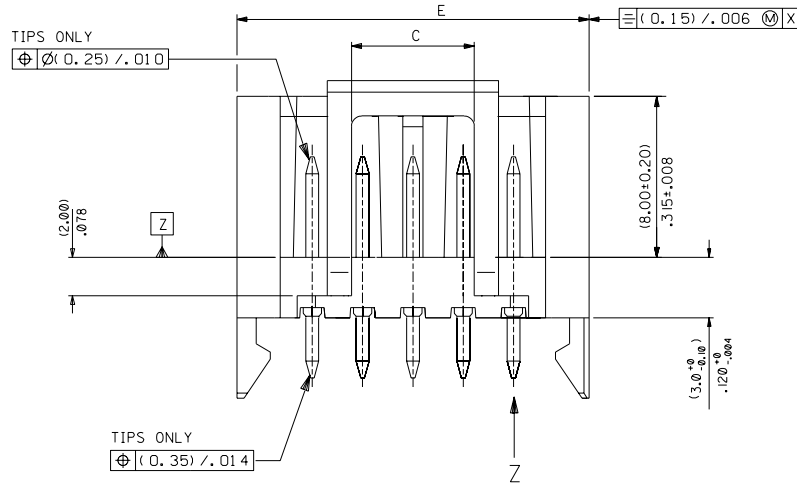


PART NO. SEE CHART  
 DWG. NO. SDA-90647



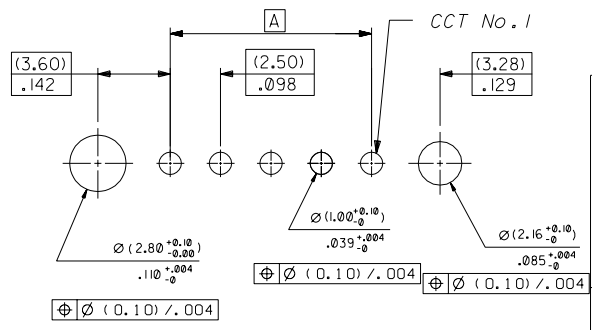
SECTION N- N  
 SKIP FEATURE AND KEYING  
 IN SAME CIRCUIT.  
 2,3 & 4 CKT. ONLY.



NOTES :

- MATERIAL;  
 HOUSING: POLYESTER, UL 94V-0, G.E VALOX 310-SE0.  
 PINS: BRASS,  
 PLATING: (3um)/.118uin MIN. TIN  
 TO 95/5 OVER (2um)/.078uin MIN. COPPER OR NICKEL.
- FOR ALL UNSTATED DIMENSIONS, COLOUR I.D AND KEYING POSITIONS SEE SHEET 2.

RECOMMENDED P.C.B. HOLE LAYOUT  
 PCB LAYOUT : COMPONENT SIDE  
 PCB THICKNESS 1.50 TO 1.60.



MODIFIED DIMS  
 EC NO. E2004-1124  
 DRAWN BY: RYANES 280504  
 CHK: BMAGUIRE 0406/10  
 APPR: BMAGUIRE 0406/10

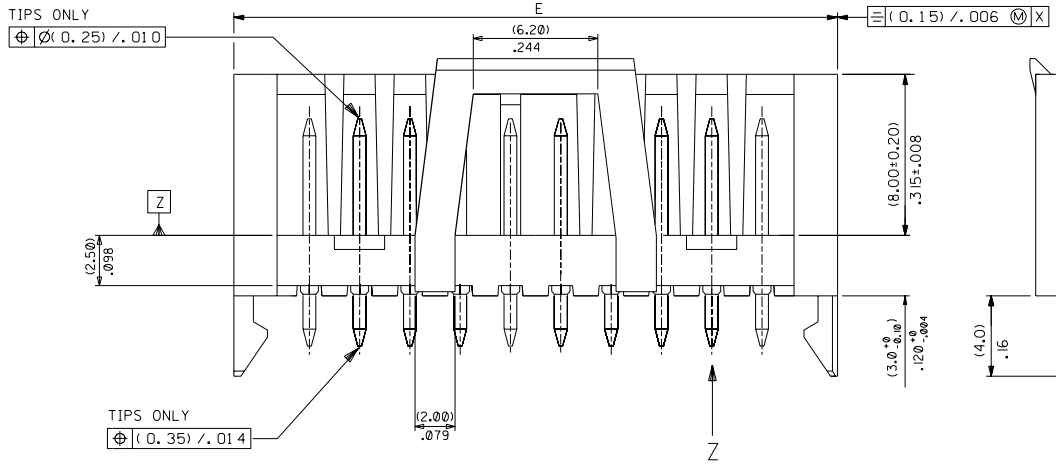
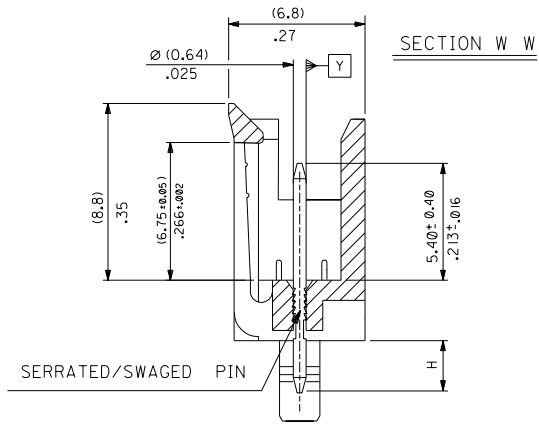
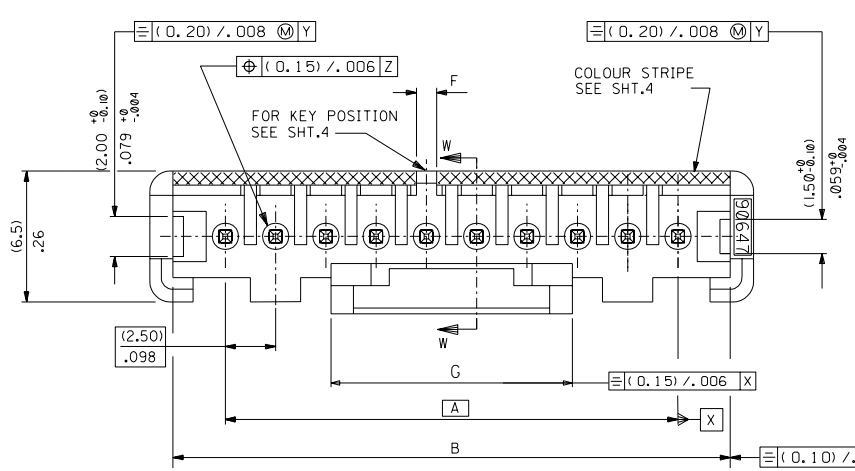
REV	DESCRIPTION
L	

QUALITY SYMBOLS	GENERAL TOLERANCES: (UNLESS SPECIFIED)	
	mm	INCH
MAJOR	4 PLACES ±0.	±.
CRITICAL	3 PLACES ±0.	±.006
	2 PLACES ±0.15	±.008
	1 PLACE ±0.25	±.
	ANGULAR: $\pm 1/2^\circ$	
DRAFT WHERE APPLICABLE MUST REMAIN WITHIN DIMENSIONS		

SCALE 4:1	DESIGN UNITS <input type="checkbox"/> mm <input type="checkbox"/> INCH	THIRD ANGLE PROJECTION	DIMENSIONS: <input checked="" type="checkbox"/> mm <input type="checkbox"/> INCH <input type="checkbox"/> mm <input type="checkbox"/> ONLY	SHT 4	REV L
DRAWN BY & DATE POB 13/10/90		TITLE: 2.5mm Uf Hdr W+B Vt Ltc (2-5Ckt only)		REVISE ON CAD ONLY	
CHECKED BY & DATE BM 13/10/90		APPROVED BY & DATE MW 13/10/90		MATERIAL NO. SEE CHART	
CAD FILENAME S90647X1.DGN		DRAWING NO. SDA-90647		SHEET NO. 10F 4	
THIS DRAWING CONTAINS INFORMATION THAT IS PROPRIETARY TO MOLEX INCORPORATED AND SHOULD NOT BE USED WITHOUT WRITTEN PERMISSION.					
					SIZE B

4	L
3	L
2	L
1	L

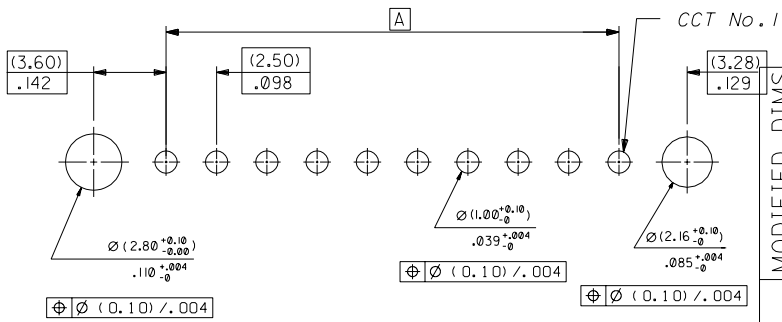
PART NO. SEE CHART  
 DWG. NO. SDA-90647E



RECOMMENDED P.C.B. HOLE LAYOUT  
 SEEN FROM SOLDER SIDE OF P.C.B.  
 PCB THICKNESS 1.50 TO 1.60.

NOTES :

- MATERIALS;  
 HOUSING: 15% GF NATURAL (WHITE) POLYESTER, RATED UL 94V-0  
 PINS: BRASS.  
 PLATING: (3um) / .118uin MIN. TIN  
 TO 95/5 OVER (2um) / .078uin MIN. COPPER OR NICKEL.
- FOR ALL UNSTATED DIMENSIONS, COLOUR I.D AND  
 KEYING POSITIONS SEE SHEET 4.



MODIFIED DIMS  
 EC NO. E2004-1124  
 DRWN: DBYRNES 18/05/04  
 CHK: BMAGUIRE 28/05/04  
 APPR: BMAGUIRE 28/05/04

REV	DESCRIPTION

QUALITY SYMBOLS	GENERAL TOLERANCES: (UNLESS SPECIFIED)	
	mm	INCH
MAJOR CRITICAL	4 PLACES	±0. ±.
	3 PLACES	±0. ±.006
	2 PLACES	±0.15 ±.008
	1 PLACE	±0.25 ±.
ANGULAR: ±1/2 °		

SCALE 4:1	DESIGN UNITS <input type="checkbox"/> mm <input type="checkbox"/> INCH
DRAWN BY & DATE DOS 94/05/18	
CHECKED BY & DATE BM 94/05/18	
APPROVED BY & DATE MW 94/05/18	
CAD FILENAME S90647X3.DGN	MATERIAL NO. SEE CHART

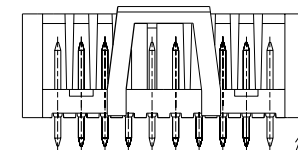
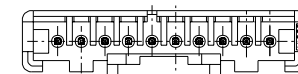
DIMENSIONS: <input checked="" type="checkbox"/> mm <input type="checkbox"/> INCH <input type="checkbox"/> mm ONLY <input type="checkbox"/> INCH ONLY		SHT	REV
THIRD ANGLE PROJECTION		REVISE ON CAD ONLY	
TITLE: 2.5mm UF Hdr W+B V+ Ltc (6-20ck+ only)			
MOLEX INCORPORATED			
CAD FILENAME S90647X3.DGN	MATERIAL NO. SEE CHART	DRAWING NO. SDA-90647	SHEET NO. 30F4
DRAFT WHERE APPLICABLE MUST REMAIN WITHIN DIMENSIONS			SIZE B

PART NO. SEE CHART  
DWG. NO. SDA-90647

CCT SIZE	ENG. NUMBER	A	B $\pm(\frac{.25}{.010})$	E $(\pm\frac{.25}{.010})$	KEY		COLOUR I.D	G $\pm(0.20)$ CCT NO.	VOID POS: N	
					POSN. CCT. No.	F $\pm(\frac{.10}{.004})$				
6	90647-006	(12.5)	(17.7)	(20.0)	2	(1.00)	NATURAL	(12.0)	4	
	▲ --106				3		RED			
	--206				4		GREEN			
	--306				5		BLUE			
	--406				NONE		PURPLE			
7	--007	(15.0)	(20.2)	(22.5)	2	(1.00)	NATURAL	(14.5)		
	--107				3		RED			
	--207				4		GREEN			
	--307				5		BLUE			
	--407				NONE		PURPLE			
8	--008	(17.5)	(22.7)	(25.0)	3	(1.00)	NATURAL	(12.0)		
	--108				4		RED			
	--208				5		GREEN			
	--308				6		BLUE			
	--408				NONE		PURPLE			
9	--009	(20.0)	(25.2)	(27.5)	3	(1.00)	NATURAL	(14.5)		
	--109				4		RED			
	--209				5		GREEN			
	--309				6		BLUE			
	--409				NONE		PURPLE			
10	--8010	(22.5)	(27.7)	(30.0)	4	(1.00)	NATURAL	(12.0)	309	
	--8110				4		NATURAL			288
	--010				4		NATURAL			
	--110				5		RED			
	--210				6		GREEN			
--410	NONE	PURPLE								
11	--011	(25.0)	(30.2)	(32.5)	4	(1.00)	NATURAL	(14.5)		
	--111				5		RED			
	--211				6		GREEN			
	--411				NONE		PURPLE			
	--012				5		NATURAL			
12	--112	(27.5)	(32.7)	(35.0)	5	(1.00)	NATURAL	(12.0)		
	▼ --212				6		RED			
	--212				7		GREEN			
	▼ --412				NONE		PURPLE			
	90647-412									

CCT SIZE	ENG. NUMBER	A	B $\pm(\frac{.25}{.010})$	E $(\pm\frac{.25}{.010})$	KEY		COLOUR I.D	G $\pm(0.20)$
					POSN. CCT.	F $\pm(\frac{.10}{.004})$		
13	90647-013	(30.0)	(35.2)	(37.5)	5	(1.00)	NATURAL	(14.5)
	▲ --113				6		RED	
	--213				7		GREEN	
	--413				NONE		PURPLE	
14	--014	(32.5)	(37.7)	(40.0)	6	(1.00)	NATURAL	(12.0)
	--114				7		RED	
	--414				NONE		PURPLE	
15	--015	(35.00)	(40.2)	(42.5)	6	(1.00)	NATURAL	(14.5)
	--415				NONE		PURPLE	
	--016				7		NATURAL	
16	--016	(37.5)	(42.7)	(45.0)	7	(1.00)	NATURAL	(12.0)
	--416				NONE		PURPLE	
	--017				7		NATURAL	
17	--017	(40.0)	(45.2)	(47.5)	7	(1.00)	NATURAL	(14.5)
	--417				NONE		PURPLE	
	--018				8		NATURAL	
18	--018	(42.5)	(47.7)	(50.0)	8	(1.00)	NATURAL	(12.0)
	--418				NONE		PURPLE	
	--019				8		NATURAL	
19	--019	(45.0)	(50.2)	(52.5)	8	(1.00)	NATURAL	(14.5)
	--419				NONE		PURPLE	
	--020				9		NATURAL	
20	--020	(47.5)	(52.7)	(55.0)	9	(1.00)	NATURAL	(12.0)
	▼ 90647-420				NONE		PURPLE	

ENG. NUMBER	H $\pm(0.1)$ $\pm .006$
90647-1***	(2.50) .099
90647-3***	(2.50) .099
90647-8***	(2.50) .099



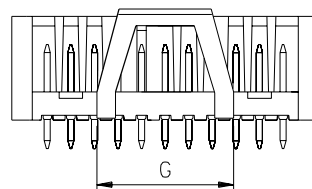
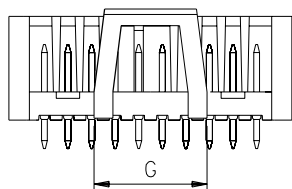
ASSEMBLY WITHOUT SNAP-IN PEGS

90647 - \*\*\*\*

ASSEMBLY WITH SNAP-IN = 1

ASSEMBLY WITHOUT SNAP-IN = 3

ASSEMBLY WITH SNAP-IN AND VOID OPTIONS = 8



CIRCUITS SIZES 6,8,10,12,14,16,18,20 CIRCUITS SIZES 7,9,11,13,15,17,19

MODIFIED DIMS  
EC NO.E2004-1124  
DRAWING BYRNES 18/05/04  
CHK: BMAGUIRE 30/05/04  
APPRO: BMAGUIRE 30/05/04

QUALITY SYMBOLS  
MAJOR =   
CRITICAL =   
C =

GENERAL TOLERANCES:  
(UNLESS SPECIFIED)

	mm	INCH
4 PLACES	$\pm 0.$	$\pm .$
3 PLACES	$\pm 0.$	$\pm . --$
2 PLACES	$\pm 0. --$	$\pm . --$
1 PLACE	$\pm 0. --$	$\pm .$

ANGULAR:  $\pm 1/2^\circ$

SCALE:  $\frac{1}{16}$

DESIGN UNITS:  mm  INCH

THIRD ANGLE PROJECTION

DRAWN BY & DATE: DOS 94/05/18

CHECKED BY & DATE: BMAGUIRE 94/05/18

APPROVED BY & DATE: MWILHITE 94/05/18

CAD FILENAME: S90647X4.DGN

DIMENSIONS:  mm  INCH  mm ONLY  INCH ONLY

SHT: 4 OF 4  
REV: 0

TITLE: 2.5mm Uf Hdr Wtb  
vt Ltc (6-20Ckt only)

MOLEX INCORPORATED

MATERIAL NO. SEE CHART  
DRAWING NO. SDA-90647

THIS DRAWING CONTAINS INFORMATION THAT IS PROPRIETARY TO MOLEX INCORPORATED AND SHOULD NOT BE USED WITHOUT WRITTEN PERMISSION.