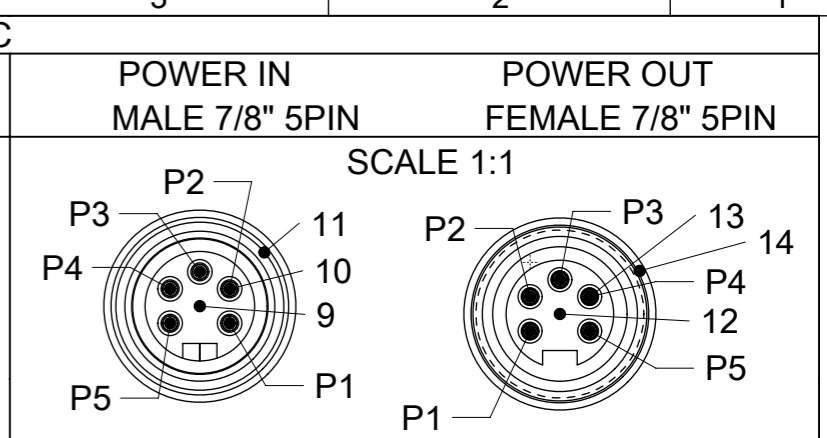
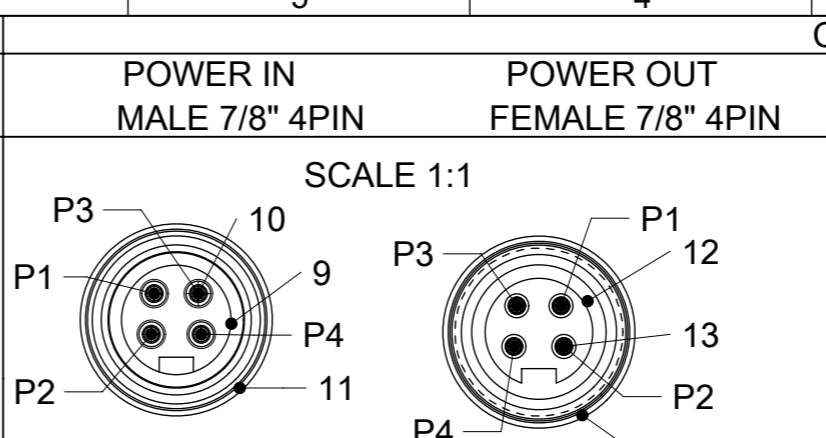
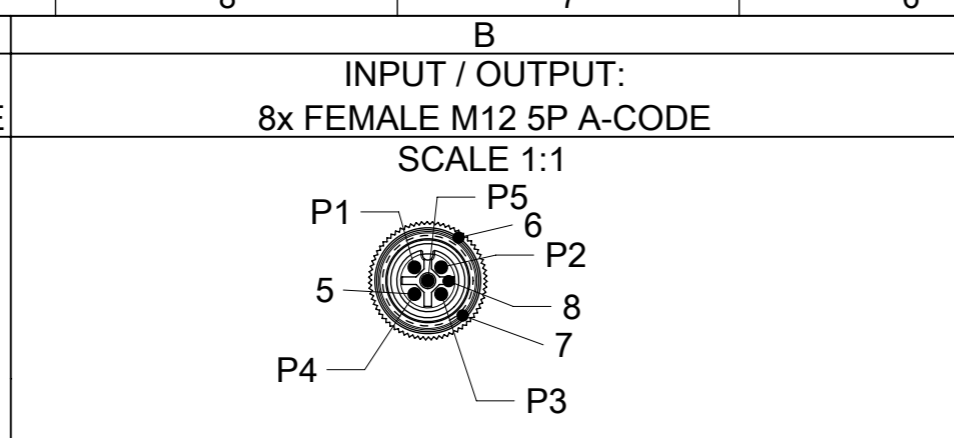
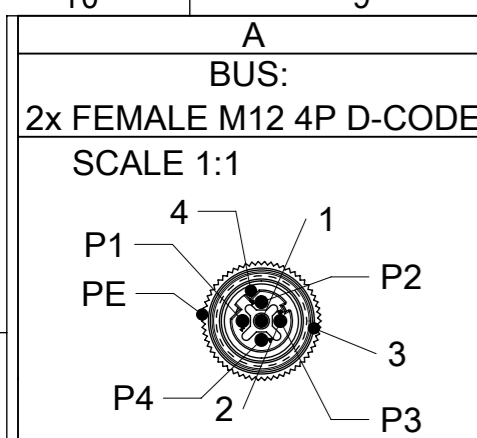


SCALE 1:2

THIS DRAWING CONTAINS INFORMATION THAT IS PROPRIETARY TO MOLEX ELECTRONIC TECHNOLOGIES, LLC AND SHOULD NOT BE USED WITHOUT WRITTEN PERMISSION											
DIMENSION UNITS		SCALE		CURRENT REV DESC: OBSOLETE PART NUMBERS							
mm		1:1									
GENERAL TOLERANCES (UNLESS SPECIFIED)											
ANGULAR TOL ± °				IO:ENET/IP:IP67-60MM:8P5:16 DCONFIG U12 4P 2PT DC FE							
4 PLACES ±				EC NO: 642013				2020/07/22			
3 PLACES ±				DRWN: AKUMAR19				2020/09/24			
2 PLACES ±				CHK'D: GGA				2020/09/24			
1 PLACE ± 0.3				APPR: GGA				2020/09/24			
0 PLACES ± 0.5				INITIAL REVISION:				DOCUMENT NUMBER			
DRAFT WHERE APPLICABLE MUST REMAIN WITHIN DIMENSIONS				DRWN: SSM				1120955011			
THIRD ANGLE PROJECTION				APPR: RSILLER				PSD 000 A4			
DRAWING				SERIES				MATERIAL NUMBER			
A3-SIZE				112095				SEE TABLE			
CUSTOMER				SHEET NUMBER				GENERAL MARKET			
1 OF 6											



**WIRING INFORMATION**  
P1 TX+  
P2 RX+  
P3 TX-  
P4 RX-

**WIRING INFORMATION INPUT**  
P1 - +24 VDC  
P2 - Input (even)  
P3 - 0 V (Ground)  
P4 - Input (odd)  
P5 - PE (Protected Earth)

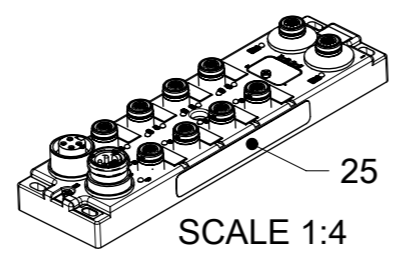
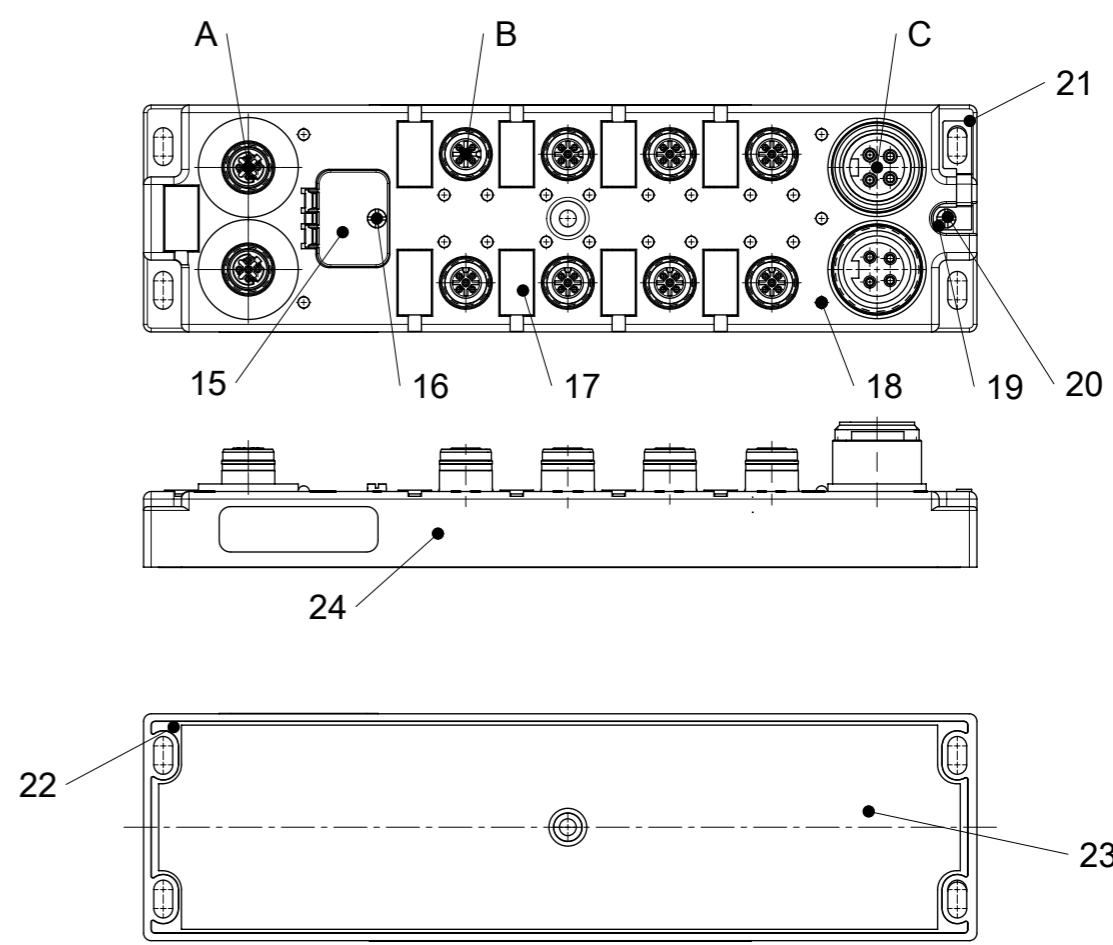
**WIRING INFORMATION OUTPUT**  
P1 - N/C  
P2 - Output (even)  
P3 - 0 V (Ground)  
P4 - Output (odd)  
P5 - PE (Protected Earth)

**WIRING INFORMATION**  
P1 - +24 VDC (Outputs Power)  
P2 - +24 VDC (Module & Inputs Power)  
P3 - 0 V (Module & Inputs Power)  
P4 - 0 V (Outputs Power)

**WIRING INFORMATION**  
P1 - 0 V (Outputs Power)  
P2 - 0 V (Module & Inputs Power)  
P3 - PE (Protected Earth)  
P4 - +24 VDC (Module and Inputs Power)  
P5 - +24 VDC (Outputs Power)

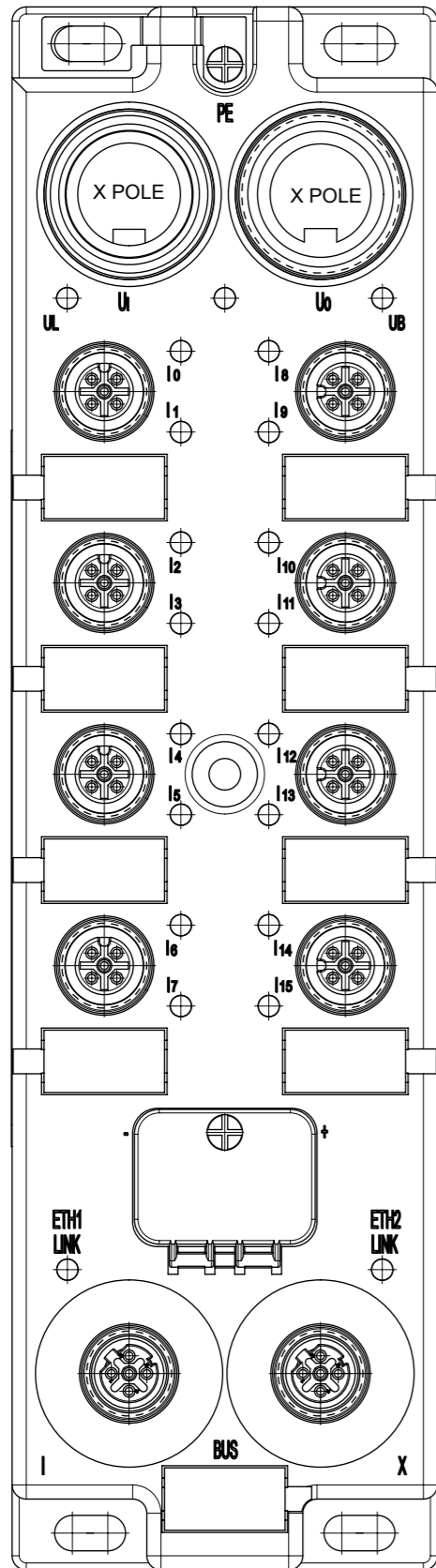
### BILL OF MATERIAL

ITEM	DESCRIPTION	MATERIAL	FINISH
1	INSERT	TPU	BLACK
2	CONTACT	COPPER ALLOY	GOLD OVERNICKEL
3	SHELL	BRASS	NICKEL PLATET
4	GASKET	FPM	BLACK
5	CONTACT	COPPER ALLOY	GOLD OVER NICKEL
6	GASKET	FPM	BLACK
7	SHELL	BRASS	NICKEL PLATET
8	INSERT	TPU	BLACK
9	INSERT	TPE	YELLOW
10	CONTACT	COPPER ALLOY	GOLD OVERNICKEL
11	SHELL	BRASS	NICKEL PLATET
12	INSERT	TPE	YELLOW
13	CONTACT	COPPER ALLOY	GOLD OVER NICKEL
14	SHELL	BRASS	NICKEL PLATET
15	WINDOW	PC	TRANSPARENT
16	SCREW	V2A	-
17	LABEL	PC	WHITE
18	FIBER OPTIC	PA	TRANSPARENT
19	WASHER	BRASS	NICKEL PLATET
20	SCREW	V2A	-
21	SHIELD PLATE	STAINLESS STEEL	-
22	RESIN	EPOXY	TRANSPARENT
23	LABEL	PVC	WHITE
24	HOUSING	PBT	BLACK
25	LABEL	PVC	YELLOW



THIS DRAWING CONTAINS INFORMATION THAT IS PROPRIETARY TO MOLEX ELECTRONIC TECHNOLOGIES, LLC AND SHOULD NOT BE USED WITHOUT WRITTEN PERMISSION

DIMENSION UNITS	SCALE	CURRENT REV DESC: OBSOLETE PART NUMBERS	
mm	1:2		
GENERAL TOLERANCES (UNLESS SPECIFIED)			
ANGULAR TOL	± °	IO:ENET/IP:IP67-60MM:8P5:16 DCONFIG U12 4P 2PT DC FE	
4 PLACES	±	EC NO: 642013	2020/07/22
3 PLACES	±	DRWN: AKUMAR19	2020/09/24
2 PLACES	±	CHK'D: GGA	2020/09/24
1 PLACE	± 0.3	APPR: GGA	2020/09/24
0 PLACES	± 0.5	INITIAL REVISION:	
DRAFT WHERE APPLICABLE MUST REMAIN WITHIN DIMENSIONS		DRWN: SSM	2019/02/28
THIRD ANGLE PROJECTION		APPR: RSILLER	2019/03/27
DRAWING	SERIES	DOCUMENT NUMBER	DOC TYPE DOC PART REVISION
A3-SIZE	112095	1120955011	PSD 000 A4
MATERIAL NUMBER		CUSTOMER	SHEET NUMBER
SEE TABLE		GENERAL MARKET	2 OF 6



16 IN PRINTING

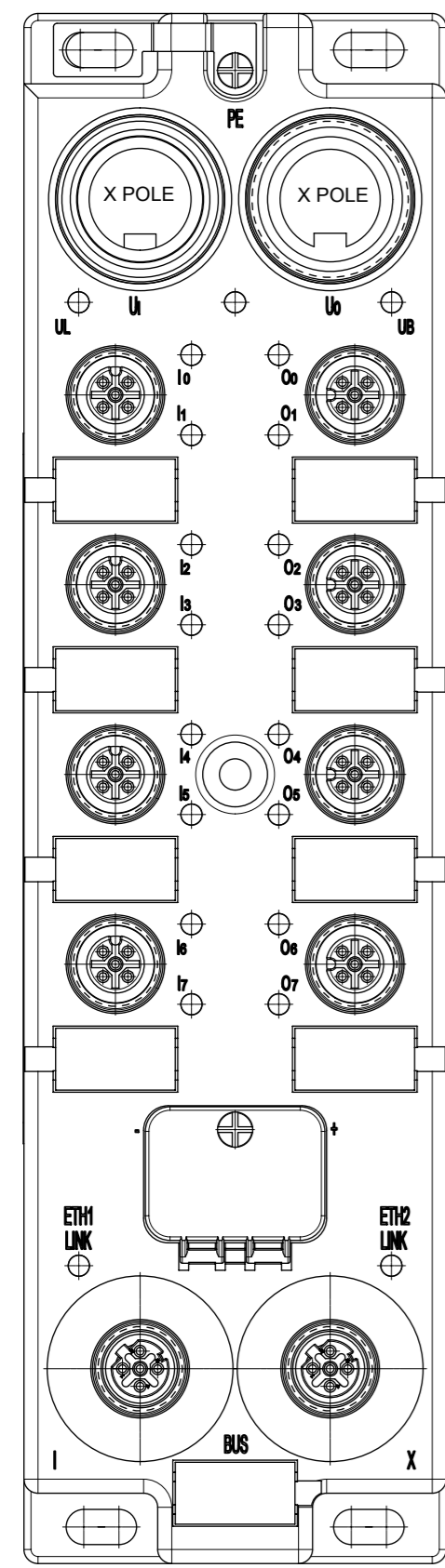
TABLE 1 16 IN PRINTING

POWER TYPE	INPUT/OUTPUT		EtherNet/IP		PROFINET		3D MODEL NO.
			ENG. NO	MOLEX P/N	ENG. NO	MOLEX P/N	
7/8" 5 POLE	PNP	16I			TCDEP-8D0P-D1U-G	1120955048	1120955011- PDM
7/8" 4 POLE		16I	TCDEI-8D0P-DYU-G02	1120955137			

THIS DRAWING CONTAINS INFORMATION THAT IS PROPRIETARY TO MOLEX ELECTRONIC TECHNOLOGIES, LLC AND SHOULD NOT BE USED WITHOUT WRITTEN PERMISSION									
DIMENSION UNITS	SCALE	CURRENT REV DESC: OBSOLETE PART NUMBERS							
mm	1:1	<b>molex</b>							
GENERAL TOLERANCES (UNLESS SPECIFIED)		IO:ENET/IP:IP67:60MM:8P5:16 DCONFIG U12 4P 2PT DC FE							
ANGULAR TOL	± °	PRODUCT CUSTOMER DRAWING							
4 PLACES	±	EC NO: 642013	2020/07/22		DOCUMENT NUMBER				
3 PLACES	±	DRWN: AKUMAR19	2020/09/24		1120955011		DOC TYPE	DOC PART	REVISION
2 PLACES	±	CHK'D: GGA	2020/09/24				PSD	000	A4
1 PLACE	± 0.3	APPR: GGA	2020/09/24						
0 PLACES	± 0.5	INITIAL REVISION:							
DRAFT WHERE APPLICABLE MUST REMAIN WITHIN DIMENSIONS		DRWN: SSM	2019/02/28						
THIRD ANGLE PROJECTION		APPR: RSILLER	2019/03/27						
DRAWING		SERIES		MATERIAL NUMBER		CUSTOMER		SHEET NUMBER	
A3-SIZE		112095		SEE TABLE		GENERAL MARKET		3 OF 6	

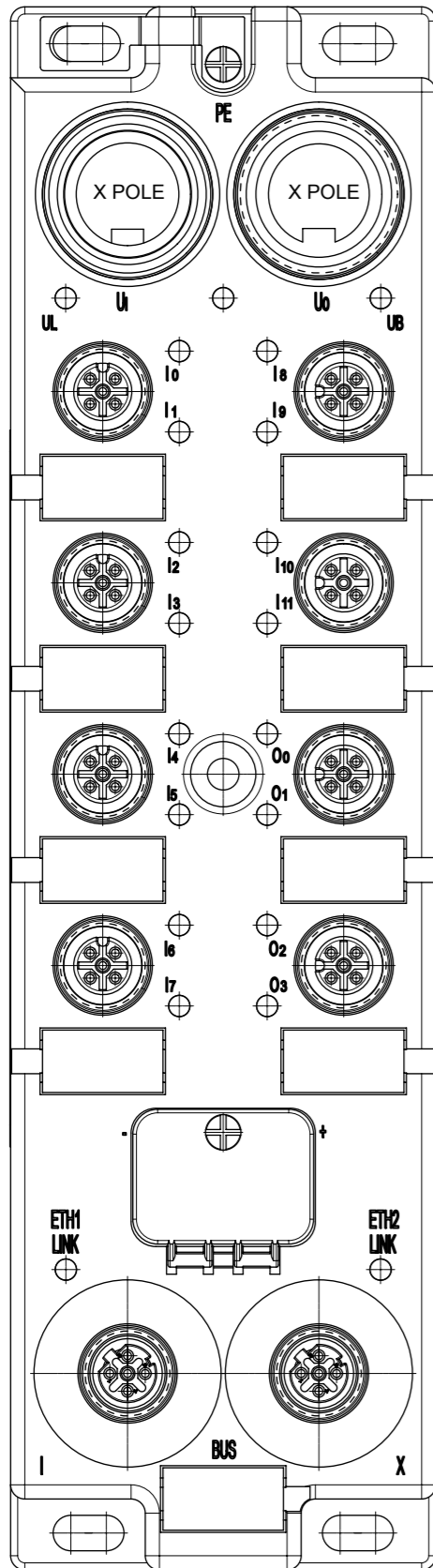
TABLE 2 8I/8O PRINTING

POWER TYPE	INPUT/OUTPUT	EtherNet/IP		PROFINET		3D MODEL NO.
		ENG. NO	MOLEX P/N	ENG. NO	MOLEX P/N	
7/8" 5 POLE	PNP	8I/8O		TCDEP-888P-D1U-G	1120955050	1120955011 - PDM
7/8" 4 POLE		8I/8O	TCDEI-888P-DYU-G02	1120955138		



8I/8O IN PRINTING

THIS DRAWING CONTAINS INFORMATION THAT IS PROPRIETARY TO MOLEX ELECTRONIC TECHNOLOGIES, LLC AND SHOULD NOT BE USED WITHOUT WRITTEN PERMISSION									
DIMENSION UNITS	SCALE	CURRENT REV DESC: OBSOLETE PART NUMBERS							
mm	1:1								
GENERAL TOLERANCES (UNLESS SPECIFIED)									
ANGULAR TOL	± °	IO:ENET/IP:IP67:60MM:8P5:16 DCONFIG U12 4P 2PT DC FE							
4 PLACES	±	PRODUCT CUSTOMER DRAWING							
3 PLACES	±	DOCUMENT NUMBER							
2 PLACES	±	1120955011							
1 PLACE	± 0.3	DOC TYPE							
0 PLACES	± 0.5	PSD							
DRAFT WHERE APPLICABLE MUST REMAIN WITHIN DIMENSIONS		THIRD ANGLE PROJECTION		DRAWING	SERIES	MATERIAL NUMBER	CUSTOMER	DOC PART	REVISION
				A3-SIZE	112095	SEE TABLE	GENERAL MARKET	000	A4
									SHEET NUMBER
									4 OF 6



12I/40 PRINTING

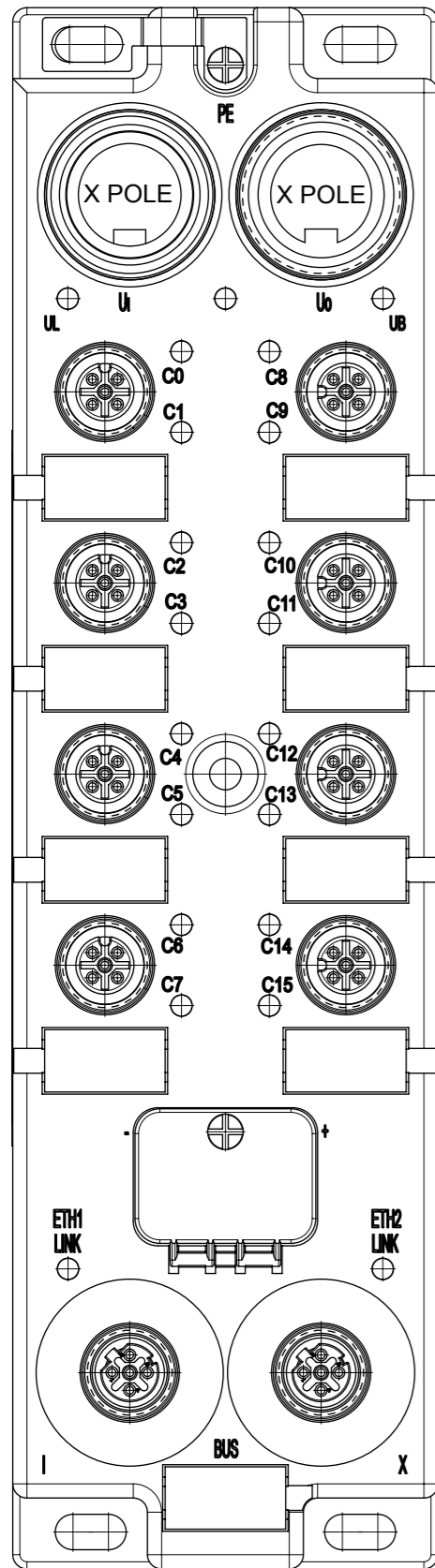
TABLE 3 12I/40 PRINTING

POWER TYPE	INPUT/OUTPUT		EtherNet/IP		PROFINET		3D MODEL NO.
			ENG. NO	MOLEX P/N	ENG. NO	MOLEX P/N	
7/8" 5 POLE	PNP	12I/40	-	-	TCDEP-8B4P-D1U-G	1120955051	1120955011 - PDM

THIS DRAWING CONTAINS INFORMATION THAT IS PROPRIETARY TO MOLEX ELECTRONIC TECHNOLOGIES, LLC AND SHOULD NOT BE USED WITHOUT WRITTEN PERMISSION										
DIMENSION UNITS	SCALE	CURRENT REV DESC: OBSOLETE PART NUMBERS								
mm	1:1									
GENERAL TOLERANCES (UNLESS SPECIFIED)						IO:ENET/IP:IP67:60MM:8P5:16 DCONFIG U12 4P 2PT DC FE				
ANGULAR TOL ± °						PRODUCT CUSTOMER DRAWING				
4 PLACES ±		EC NO: 642013		2020/07/22		DOCUMENT NUMBER				
3 PLACES ±		DRWN: AKUMAR19		2020/09/24		1120955011		DOC TYPE	DOC PART	REVISION
2 PLACES ±		CHK'D: GGA		2020/09/24				PSD	000	A4
1 PLACE ±	0.3	APPR: GGA		2020/09/24						
0 PLACES ±	0.5	INITIAL REVISION:								
DRAFT WHERE APPLICABLE MUST REMAIN WITHIN DIMENSIONS		THIRD ANGLE PROJECTION		DRAWING	SERIES	MATERIAL NUMBER	CUSTOMER	SHEET NUMBER		
				A3-SIZE	112095	SEE TABLE	GENERAL MARKET	5 OF 6		

TABLE 5 16 USER CONFIG PRINTING

POWER TYPE	INPUT/OUTPUT		EtherNet/IP		PROFINET		3D MODEL NO.
			ENG. NO	MOLEX P/N	ENG. NO	MOLEX P/N	
7/8" 5 POLE	PNP	USER CONFIG	TCDEI-8YYX-D1U-G02	1120955117	TCDEP-8YYX-D1U-01	1120955115	1120955011 - PDM
7/8" 4 POLE			TCDEI-8YYX-DYU-G02	1120955116	-	-	



THIS DRAWING CONTAINS INFORMATION THAT IS PROPRIETARY TO MOLEX ELECTRONIC TECHNOLOGIES, LLC AND SHOULD NOT BE USED WITHOUT WRITTEN PERMISSION		CURRENT REV DESC: OBSOLETE PART NUMBERS		<b>molex</b>		
DIMENSION UNITS	SCALE					
mm	1:1			IO:ENET/IP:IP67:60MM:8P5:16 DCONFIG U12 4P 2PT DC FE		
GENERAL TOLERANCES (UNLESS SPECIFIED)		EC NO: 642013		PRODUCT CUSTOMER DRAWING		
ANGULAR TOL	± °	DRWN: AKUMAR19 2020/07/22		DOCUMENT NUMBER		
4 PLACES	±	CHK'D: GGA 2020/09/24		1120955011		
3 PLACES	±	APPR: GGA 2020/09/24		DOC TYPE		
2 PLACES	±	INITIAL REVISION:		PSD		
1 PLACE	± 0.3	DRWN: SSM 2019/02/28		DOC PART		
0 PLACES	± 0.5	APPR: RSILLER 2019/03/27		000		
DRAFT WHERE APPLICABLE MUST REMAIN WITHIN DIMENSIONS		THIRD ANGLE PROJECTION	DRAWING	SERIES	MATERIAL NUMBER	CUSTOMER
			A3-SIZE	112095	SEE TABLE	GENERAL MARKET
						REVISION
						A4
						SHEET NUMBER
						6 OF 6