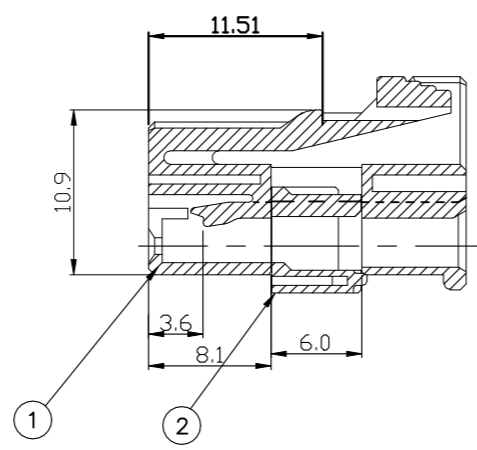
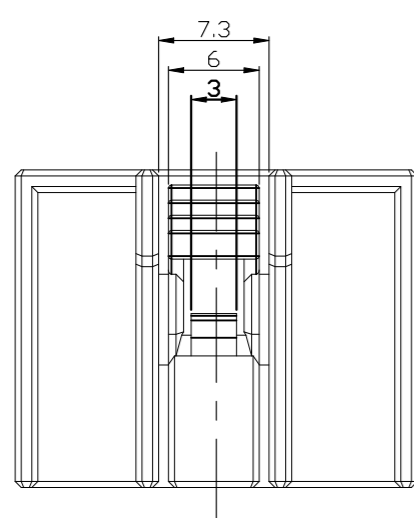
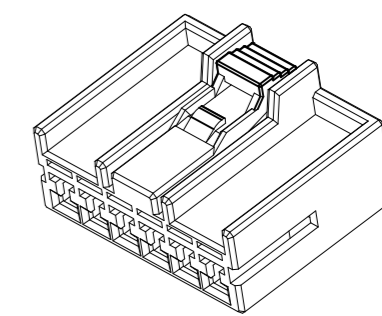
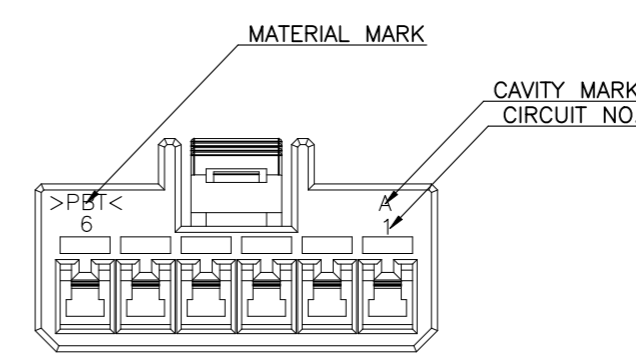
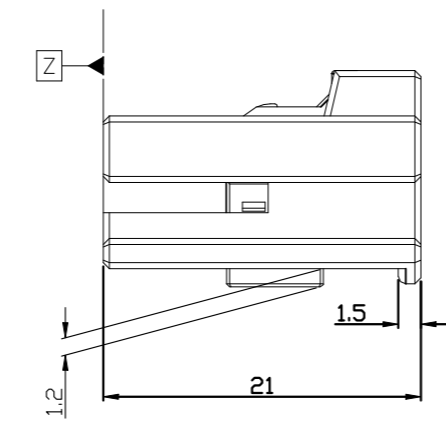
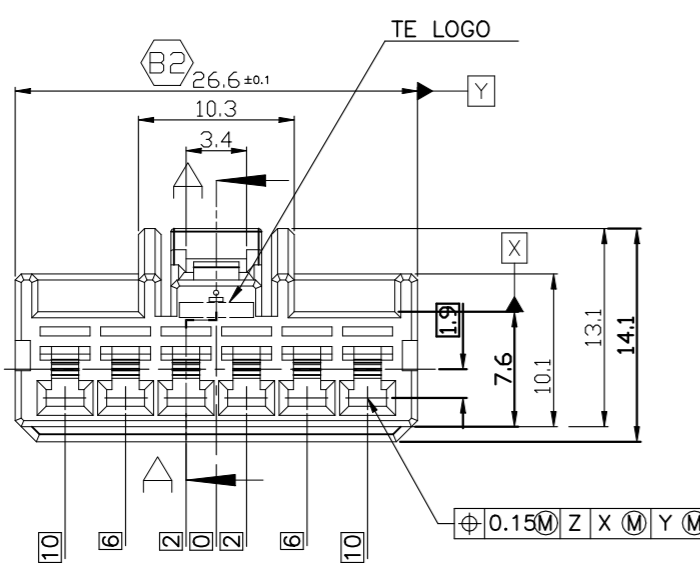


P	LTR	DESCRIPTION	DATE	DWN	APVD
B2		REVISED(ECR-21-107825)	22JUL2021	DH	YJ



SECTION A - A

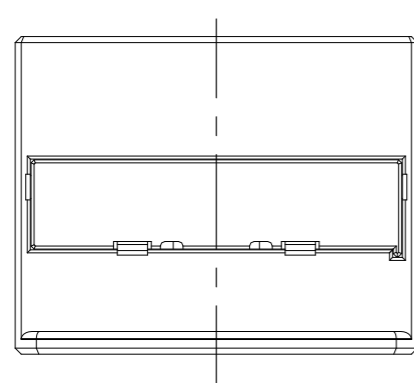
1. THE MATING HSG. P/N ; 936240
2. APPLIED CONTACT P/N ;
090 II REC. - 368083, 368084, 368085
090 III REC. - 1743654, 1743655, 1743656, 1897753, 1897598
3. GENERAL TOLERANCES
0 <XX<10 ± 0.2
10<XX<30 ± 0.25
30<XX ± 0.3
ANGLES ± 3°



MATERIAL MARK
CAVITY MARK
CIRCUIT NO.

NO	COLOR	MATERIAL	DESCRIPTION	P/N	QTY
1	BLUE	PBT	PLUG	0-936231-8	1
	YELLOW	PBT	PLUG	0-936231-5	1
	BROWN	PBT	PLUG	0-936231-4	1
	D/GRAY	PBT	PLUG	0-936231-3	1
	BLACK	PBT	PLUG	0-936231-2	1
2	NATURAL	PBT	PLUG	0-936231-1	1
2	NATURAL	PBT	DBL	0-936094-1	1 1 1 1 1 1

ASSY P/N
0-936230-8
0-936230-5
0-936230-4
0-936230-3
0-936230-2
0-936230-1



THIS DRAWING IS A CONTROLLED DOCUMENT.

DIMENSIONS: mm

TOLERANCES UNLESS OTHERWISE SPECIFIED:

0 PLC	±
1 PLC	±
2 PLC	±
3 PLC	±
4 PLC	±
ANGLES	±
FINISH	-

MATERIAL: SEE TABLE

APVD: JW JUNG

PRODUCT SPEC: 090III 6P PLUG ASS'Y (1ROW)

APVD: KT JUNG

CHK: HG CHO

DWN: KT JUNG

STE TE Connectivity

SIZE: A3 CAGE CODE: 00779 DRAWING NO: C-936230

WEIGHT: 0

RESTRICTED TO: -

CUSTOMER DRAWING

SCALE: 2:1 SHEET: 1 OF 1 REV: B2