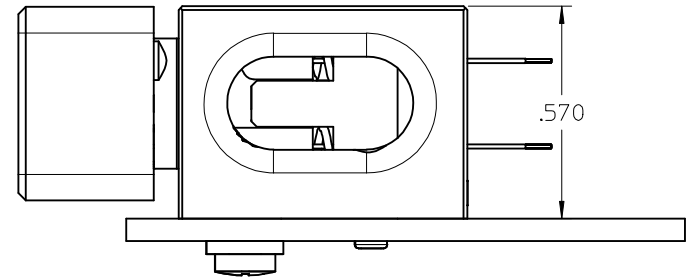
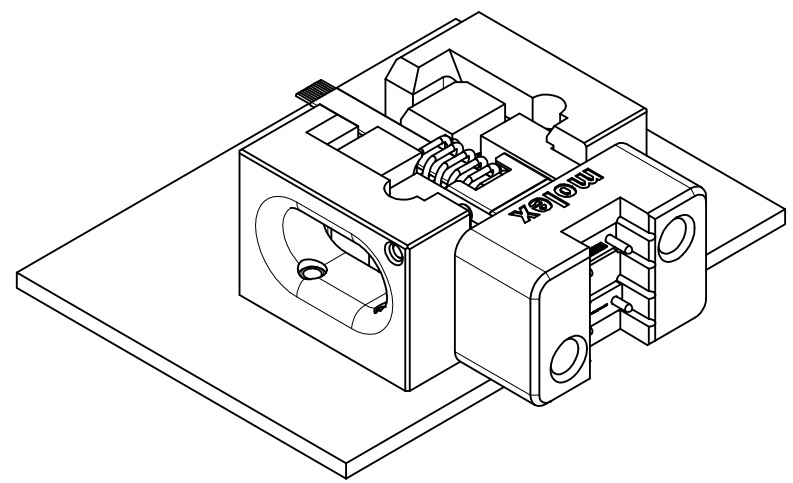
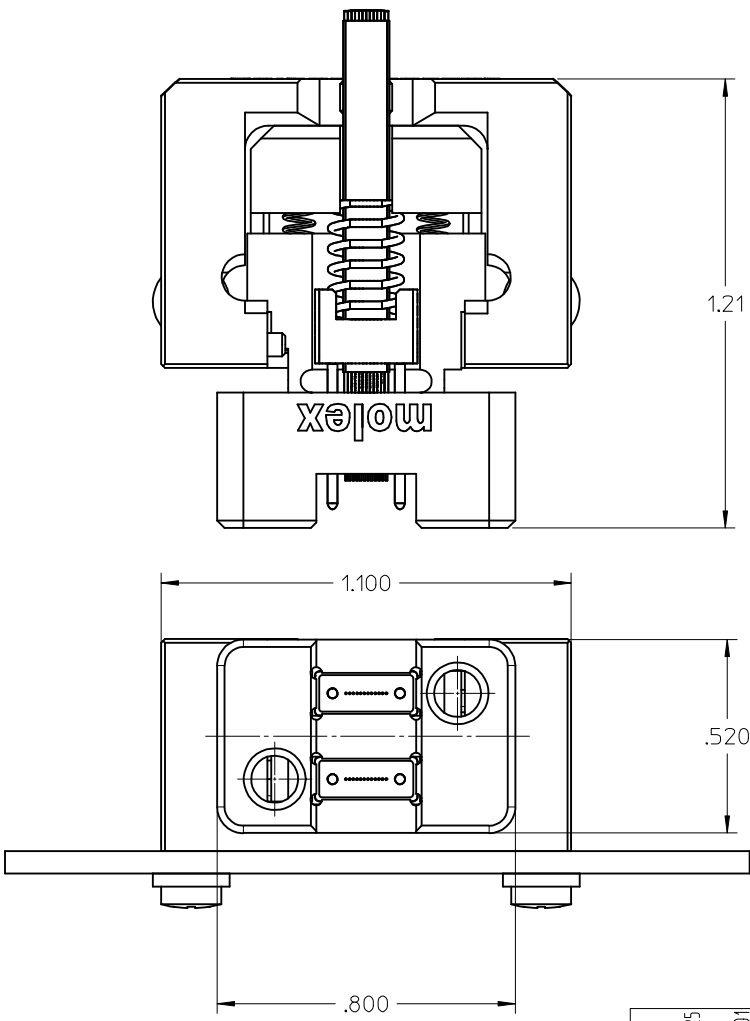


10 9 8 7 6 5 4 3 2 1



NOTES:
1. ALL DIMENSIONS ARE FOR REFERENCE ONLY.

ENTER DESCRIPTION EC NO: MF2014-0415 DRAWN: MWALDRON 2013/10/25 CHKD: MWALDRON APPR: WCHEN 2015/04/01 A2	QUALITY SYMBOLS $\nabla F=0$ $\nabla F=0$ $\nabla F=0$	GENERAL TOLERANCES (UNLESS SPECIFIED) mm INCH 4 PLACES ± --- ± --- 3 PLACES ± --- ± --- 2 PLACES ± --- ± --- 1 PLACE ± --- ± --- 0 PLACE ± --- ± ---	DIMENSION STYLE INCH ONLY DRAWN BY DATE SMIGO 2012/09/14 CHECKED BY DATE MWALDRON 2012/09/14 APPROVED BY DATE WCHEN 2013/01/23	SCALE 3:1 TITLE VITA66.1 DAUGHTER CARD ASSEMBLY	DESIGN UNITS INCH THIRD ANGLE PROJECTION	
	ANGULAR ±1/2° DRAFT WHERE APPLICABLE MUST REMAIN WITHIN DIMENSIONS		MATERIAL NO. 1066011150	DOCUMENT NO. SD-106601-1150	SHEET NO. 1 OF 1	
	THIS DRAWING CONTAINS INFORMATION THAT IS PROPRIETARY TO MOLEX INCORPORATED AND SHOULD NOT BE USED WITHOUT WRITTEN PERMISSION					
	molex					
	1066011150					

9 8 7 6 5 4 3 2 1