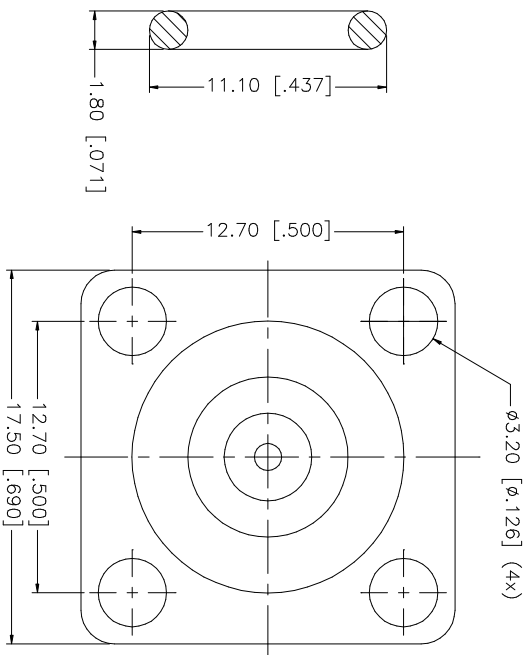
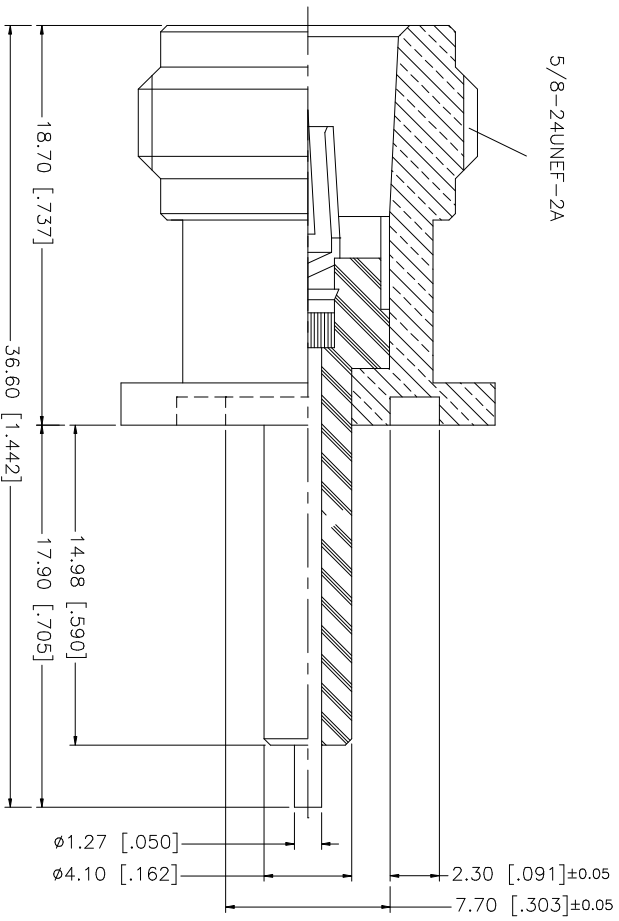


REV.	DATE	DESCRIPTION
B	04/22/00	ADD DUREMETER RATING
C	01/20/03	REVISE DRAWING FORMAT



NO.	DESCRIPTION	MATERIAL	FINISH	QTY	UNLESS OTHERWISE SPECIFIED DIMENSIONS ARE IN MILLIMETERS. DIMENSIONS IN [] ARE IN INCHES AND FOR CUSTOMER REFERENCE ONLY. TOLERANCES FOR MILLIMETERS ARE:	APPROVALS	DATE	PART DESCRIPTION	
8					0.5 - 8mm ± 0.20mm	DRAWN G.R.S.	01/20/03	N PANEL RECEPTACLE - EXTENDED TEFLON	
7					8 - 30mm ± 0.40mm				
6					30 - 120mm ± 0.50mm	CHECKED			
5	GASKET	SILICONE (per diameter rating)	RED	1	UNLESS OTHERWISE SPECIFIED TOLERANCES FOR INCHES ARE:	ISSUED			
3	CONTACT PIN	PHOS. BRONZE	GOLD	1	.020 - .315 = ± 0.007"	SHEET 1 OF 1			
2	INSULATOR	TEFLON	NATURAL	1	.315 - 1.180 = ± 0.015"				
1	BODY	BRASS	NEXCOTE	1	1.180 - 4.724 = ± 0.020"				
	DESCRIPTION	MATERIAL	FINISH	QTY	DO NOT SCALE DRAWING	CAD FILE C:/172/172224-13.DWG			
						DWG. NO. 172224-13.DWG	REV. C	SIZE A	SCALE NA

Amphenol Connex