

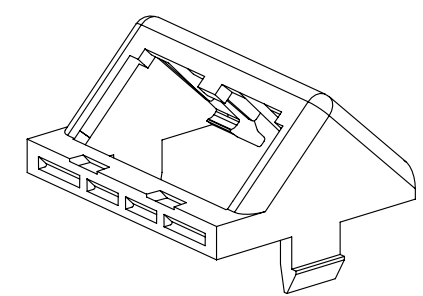
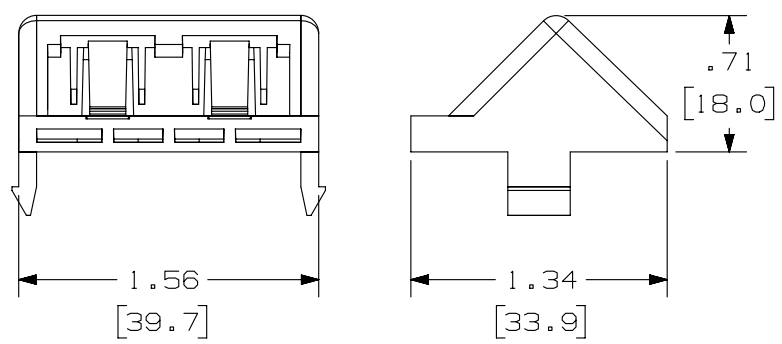
2

1

THIS COPY IS PROVIDED ON A RESTRICTED BASIS AND IS NOT TO BE USED IN ANY WAY DETRIMENTAL TO THE INTERESTS OF PANDUIT CORP.

PANDUIT P/N	WEIGHT
CHS2**-X	.58 LB/50 PCS (264g/50 PCS)

- NOTES:
- SEE CURRENT CATALOG FOR ADDITIONAL PART NUMBER SUFFIXES TO INDICATE COLOR AND OR PACKAGE QUANTITY.
 - DIMENSIONS IN [] ARE IN METRIC.



PART NUMBER		CHS2**-X	
TITLE			
MINI-COM 2 POSITION SLOPED 1/2 SIZE INSERT			
CUSTOMER DRAWING			
ITEM REVISION NAME		D35544BE/00	
DATASET FILE NAME		D35544BE_DC/00B	
UNLESS OTHERWISE SPECIFIED, DIMENSIONAL TOLERANCES ARE: IN [mm]		MATERIAL:	
.x ± .xxx ± .010 [.3]		ABS	
.xx ± .03 [.8]		DRAWING NUMBER:	
ANGLES ±		35544-05	
THIRD ANGLE PROJECTION		SHT 1 OF 1	
DRAWN BY	DATE	CHK	SCALE
DW	4-1-96	CEF	NONE
REV	DATE	BY	CHK
R	4-1-96	DW	CEF
APR	DESCRIPTION	ECN	SIZE
			A

1	4/24/14	JSP	REFR	MMR	A. REVISED DRAWING TITLE BLOCK.	35544-05
R	4-1-96	DW	CEF	CEF	RELEASED TO PRODUCTION	35544-05
REV	DATE	BY	CHK	APR	DESCRIPTION	ECN

2

1

D10100DA/14