

THIS DRAWING IS UNPUBLISHED.

RELEASED FOR PUBLICATION

REVISIONS

© COPYRIGHT - TE Connectivity

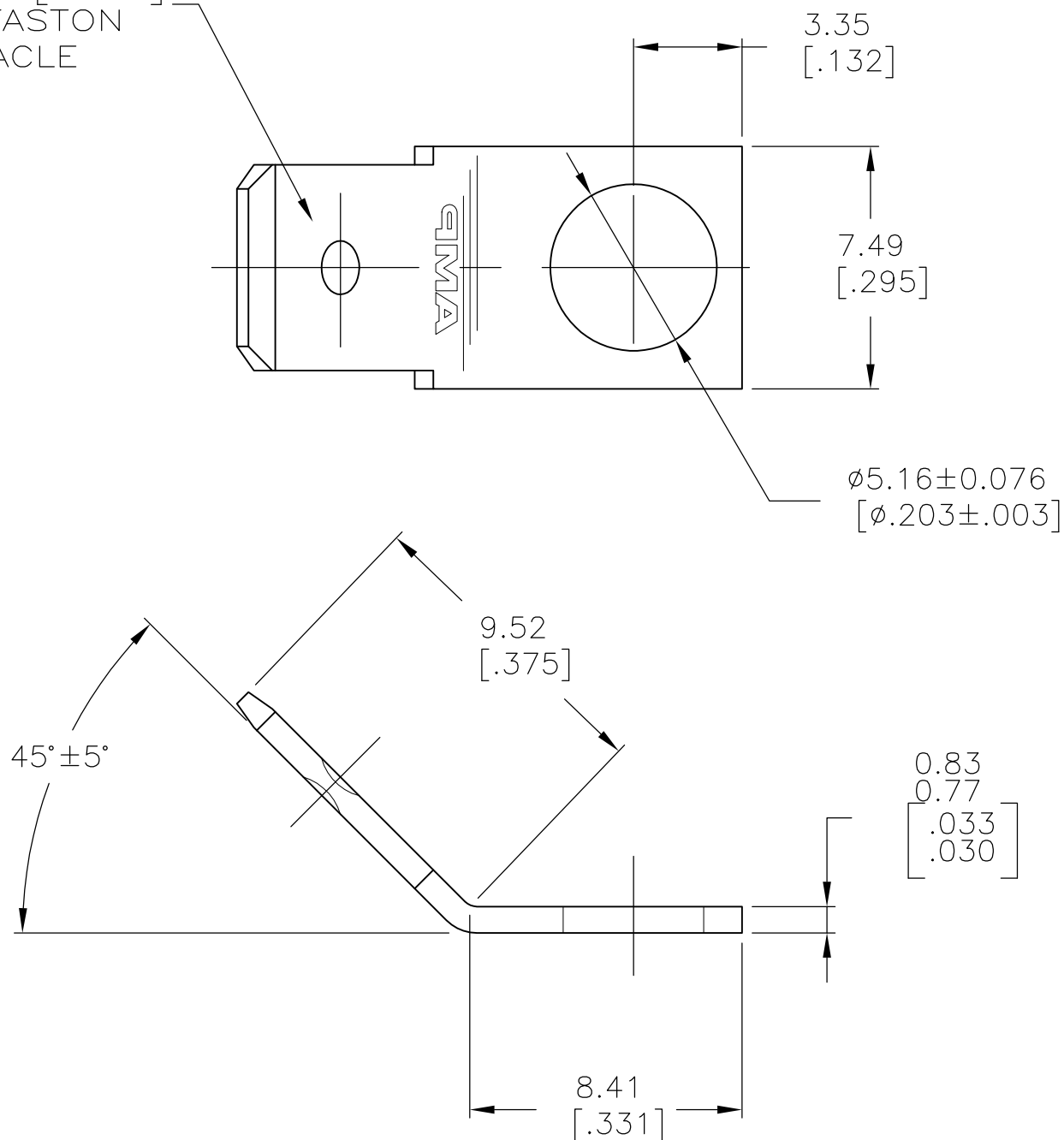
ALL RIGHTS RESERVED.

P	LTR	DESCRIPTION	DATE	DWN	APVD
	D1	REVISED PER ECR-17-010001	14JUL2017	BW	DH

FITS 6.35 [.250] SERIES FASTON RECEPTACLE

1 SUPPLIED IN LOOSE PIECE.

2 PRE-PRODUCTION - F.A.S.R. REQUIRED



1217252-1  
PART NO.

THIS DRAWING IS A CONTROLLED DOCUMENT.		DWN JR RUTH 260CT99	TE Connectivity		
DIMENSIONS: mm [INCHES]		CHK MS FEHER 260CT99			
TOLERANCES UNLESS OTHERWISE SPECIFIED:		APVD P DESANT 260CT99	TAB, FASTON,™ 6.35 [.250] SERIES		
0 PLC ± - 1 PLC ± - 2 PLC ± 0.25 [.010] 3 PLC ± - 4 PLC ± - ANGLES ± -		PRODUCT SPEC -	RESTRICTED TO		
MATERIAL 082 BRASS		FINISH TIN	APPLICATION SPEC -	SIZE A3	CAGE CODE 00779
CUSTOMER DRAWING			DRAWING NO C-1217252	SCALE 5:1	SHEET 1 OF 1
			WEIGHT	REV D1	