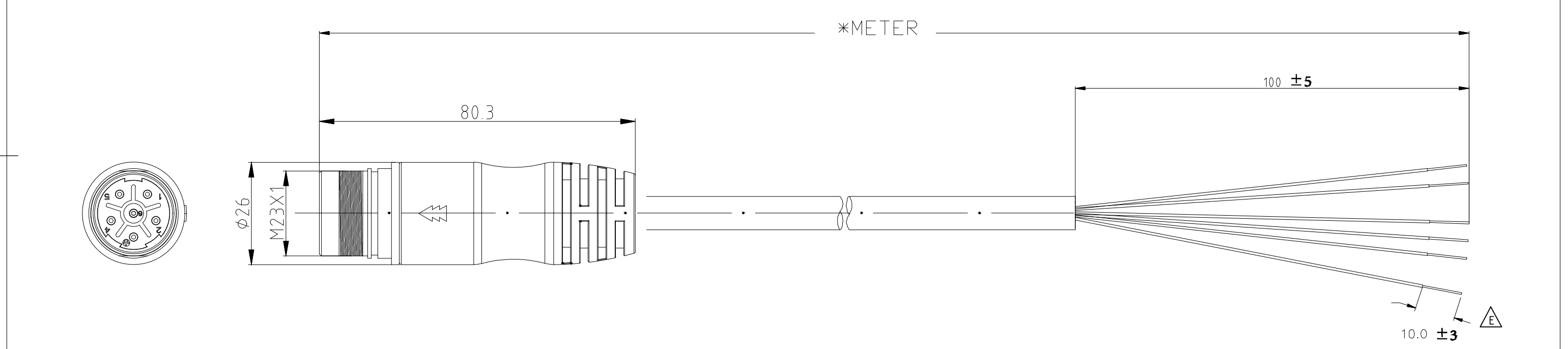


HARTING P/N	Revision	Cable length(mm)
21373700676010	01	1000 ⁺⁵⁰ ₋₀
21373700676030	01	3000 ⁺¹²⁰ ₋₀
21373700676050	01	5000 ⁺²⁰⁰ ₋₀
21373700676100	01	10000 ⁺⁴⁰⁰ ₋₀

5 SPECIFICATIONS

CONTACT CARRIER MATERIAL/COLOR	PA6/BLACK
MOLDED HEAD MATERIAL/COLOR	TPU/BLACK
CONTACT MATERIAL/PLATING	BRASS/GOLD
COUPLING NUT MATERIAL/PLATING	ZINC ALLOY/NICKEL
RATED CURRENT	14A
RATED VOLTAGE	630V
OUTER CABLR JACKET MATERIAL/COLOR	PUR/ORANGE
CONDUCTOR INSULATION MATERIAL	PVC
NUMBER OF CONDUCTORS (AWG)	4G1.5+(2X1.5)
OPERATING TEMPERATURE	-25°C — +80°C
PROTECTION CLASS	IEC IP67



D

Rev.	Description	Appr.	Date
E	Revised stripping tolerance (ECN21405)	Ivy Lin	03/09/21
D	Change raw cable supplier (ECN21375)	Ivy Lin	10/08/21
C	Add new lengths 1m & 3m via ECN21349	Ivy Lin	20/07/21
B	Correct jacket color from black to orange.	Lucy Zheng	16/03/20
A	First issue.	Lucy Zheng	06/05/19

	All rights reserved	Created by LINI	Inspected by LIANL	Standardisation LIANL	Date 2021-09-03	State Final release	
Department HCS - CN		Title M23_6P MA,ext-thread,STR PUR cable,xxM				Doc-Key / ECM-Nr. /	
HARTING Customised Solutions		Type TB	Number 2137 37 00 6 76 XXX			Rev. E	Page 1/1
D-32339 Espelkamp							

All Dimensions in mm
 Tech. Character.
 Free size tol.
 According to production drawing